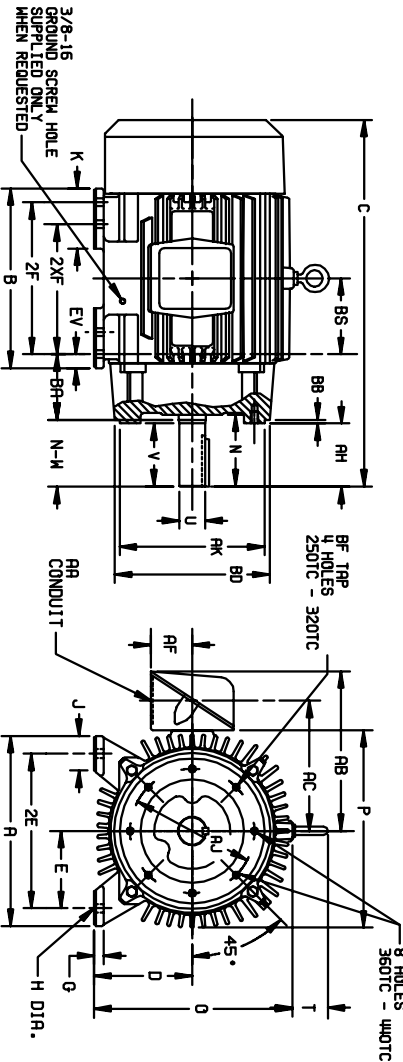


DUTY MASTER ALTERNATING CURRENT MOTORS

ENCLOSURE: TOTALLY ENCLOSED SQUIREL-CAGE INDUCTION
 COOLING: FAN COOLED
 MOUNTING: FOOT, NEMA "C" FACE
 FRAMES 250TC THRU 440TC



DIMENSIONS ARE IN INCHES. SEE SHEET 2 FOR DIMENSIONS IN MILLIMETERS

FRAME	A	D(2)	E	G	H	J	K	EV	O	P	T	AA	AB	AC	AF	BA	BB	BD	BF	MIN TAP DEPTH	AJ	AK	(6)
254TC-256TC	12.50	6.25	5.00	.75	.56	2.50	---	1.00	13.25	13.25	2.44	1-1/4	10.75	8.75	2.50	4.75	2.25	9.00	1/2-13	.75	7.25	6.500	
294TC-296TC	13.75	7.00	5.50	.75	.56	2.50	---	1.00	14.75	14.88	2.44	1-1/2	12.75	10.00	3.19	4.75	2.25	9.00	1/2-13	.75	9.00	10.500	
324TC-326TC	13.50	8.00	6.28	.88	.69	2.73	4.50	1.38	16.89	17.00	2.44	1.5	11.44	4.25	3.28	2.5	3.12	5/8-11	.94	11.00	12.500		
364TC-365TC	17.00	9.00	7.00	.88	.69	2.73	3.88	1.38	18.50	19.50	2.94	3	18.06	14.00	5.38	5.88	2.5	3.00	5/8-11	.94	11.00	12.500	
404TC-405TC	19.00	10.00	8.00	1.12	.81	3.25	4.82	1.13	21.31	22.50	2.94	3	19.31	15.25	5.38	6.82	2.5	3.12	5/8-11	.94	11.00	12.500	
444TC-445TC	21.00	11.00	9.00	1.12	.81	3.25	5.25	1.25	23.38	25.25	3.25	3	23.38	18.12	6.50	7.50	2.5	3.12	5/8-11	.94	14.00	16.000	

FRAME	C	BS	B	2F	2XF	N	AH	SHAFT AND KEY				WEIGHT LBS. (5)	
								N-W(7)	U(3)	V	SQ.		
254TC	26.06	5.00	12.00	---	8.25	4.08	3.75	4.00	1.625	3.75	.375	2.88	315
256TC	26.06	5.00	12.00	10.00	---	4.08	3.75	4.00	1.625	3.75	.375	2.88	325
284TC	27.44	5.50	13.00	---	9.50	5.00	4.38	4.62	1.875	4.38	.500	3.25	445
284TC	26.06	5.50	13.00	---	9.50	3.62	4.38	4.62	1.875	4.38	.375	1.88	445
286TC	27.44	5.50	13.00	11.00	---	5.00	4.38	4.62	1.875	4.38	.500	3.25	460
286TC	26.06	5.50	13.00	11.00	---	3.62	4.38	4.62	1.875	4.38	.375	1.88	480
324TC	30.44	6.00	14.75	---	10.50	5.62	5.00	5.25	2.125	5.00	.500	3.88	555
324TC	30.44	6.00	14.75	12.00	---	4.12	3.50	3.75	1.875	3.50	.500	2.00	595
326TC	30.44	6.00	14.75	12.00	---	4.12	3.50	3.75	1.875	3.50	.500	2.00	595
364TC	33.44	6.12	15.00	---	11.25	6.25	5.62	5.88	2.375	5.62	.625	4.25	815
364TC	31.31	6.12	15.00	---	11.25	4.12	3.50	3.75	1.875	3.50	.500	2.00	809
364TC	31.31	6.12	15.00	12.25	---	6.25	5.62	5.88	2.375	5.62	.625	4.25	855
365TC	31.31	6.12	15.00	12.25	---	4.12	3.50	3.75	1.875	3.50	.500	2.00	849
404TC	36.31	6.88	16.00	---	12.25	7.50	7.00	7.25	2.875	7.00	.750	5.62	1165
404TC	36.31	6.88	16.00	---	12.25	4.50	4.00	4.25	2.125	4.00	.500	2.75	1156
405TC	36.31	6.88	16.00	13.75	---	7.50	7.00	7.25	2.875	7.00	.750	5.62	1205
405TC	36.31	6.88	16.00	13.75	---	4.50	4.00	4.25	2.125	4.00	.500	2.75	1196
444TC	44.62	8.25	19.00	---	14.50	8.94	8.25	8.50	3.375	8.25	.625	6.88	1608
444TC	44.62	8.25	19.00	---	14.50	5.19	4.50	4.75	2.375	4.50	.625	3.00	1592
445TC	44.62	8.25	19.00	16.50	---	8.94	8.25	8.50	3.375	8.25	.875	6.88	1798
445TC	40.88	8.25	19.00	16.50	---	5.19	4.50	4.75	2.375	4.50	.625	3.00	1782

- (1) SPECIAL DIMENSIONS APPLYING TO THIS ORDER ON THIS LINE.
 - (2) "D" VARIES [250TC - 320TC +.00, -.03
360TC - 440TC +.00, -.06]
 - (3) "U" VARIES [HP TO 1.625 DIA. +.0000, -.0005
1.625 AND LARGER +.000, -.001]
 - (4) ALL FRAMES HAVE EIGHT MOUNTING HOLES FOR DUAL MOUNTING.
 - (5) MOTOR WEIGHTS MAY VARY BY 15% DEPENDING UPON RATING.
 - (6) "AK" VARIES [250TC - 280TC +.000, -.003
320TC - 440TC +.000, -.005]
 - (7) "N-W" VARIES +.00, -.25.
- CONDUIT BOX LOCATED ON OPPOSITE SIDE WHEN F-2,W-1, W-4,W-5,W-7, OR C-1 MOUNTING IS SPECIFIED.
 IF MOUNTING CLEARANCE DETAILS ARE REQUIRED, CONSULT FACTORY.
 MAXIMUM PERMISSIBLE SHAFT RUNOUT WHEN MEASURED AT END OF STD. SHAFT EXTENSION IS .002 T.I.R. UP TO AND INCLUDING 1.625 DIA. AND .003 T.I.R. 1.625 DIA. TO 5 INCH DIA.
 FACE RUNOUT AND [250TC - 280TC INCL. .004 MAX. T.I.R.
320TC - 440TC INCL. .007 MAX. T.I.R.
ECCENTRICITY
- FRAME _____ TYPE _____ CERTIFIED FOR _____
 ORDER _____ ITEM _____ HP _____ RPM _____ PH _____ HZ _____ VOLTS _____
 RELIANCE SALES ORDER _____ APPROVED BY _____ DATE _____

CUSTOMER IS RESPONSIBLE FOR DETERMINING THAT MOTOR PERFORMANCE IS SUITABLE IN THE APPLICATION.

REV. DESC: REMOVING TITLE BLOCK	VERSION: 01	TDR: 000000441900
REV. LTR: A	REVISED: 09:15:38 08/28/2007	BY: RAGRHX
FILE: \RAG\00003\380		
MTL: -		

Baldor • Dodge • Reliance

DIM SHEET 250TC THRU 440TC