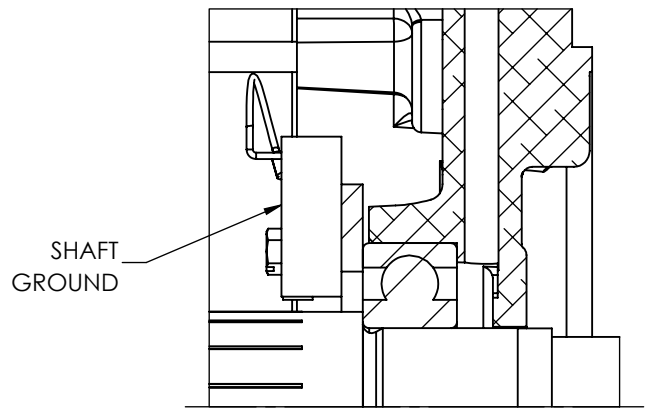
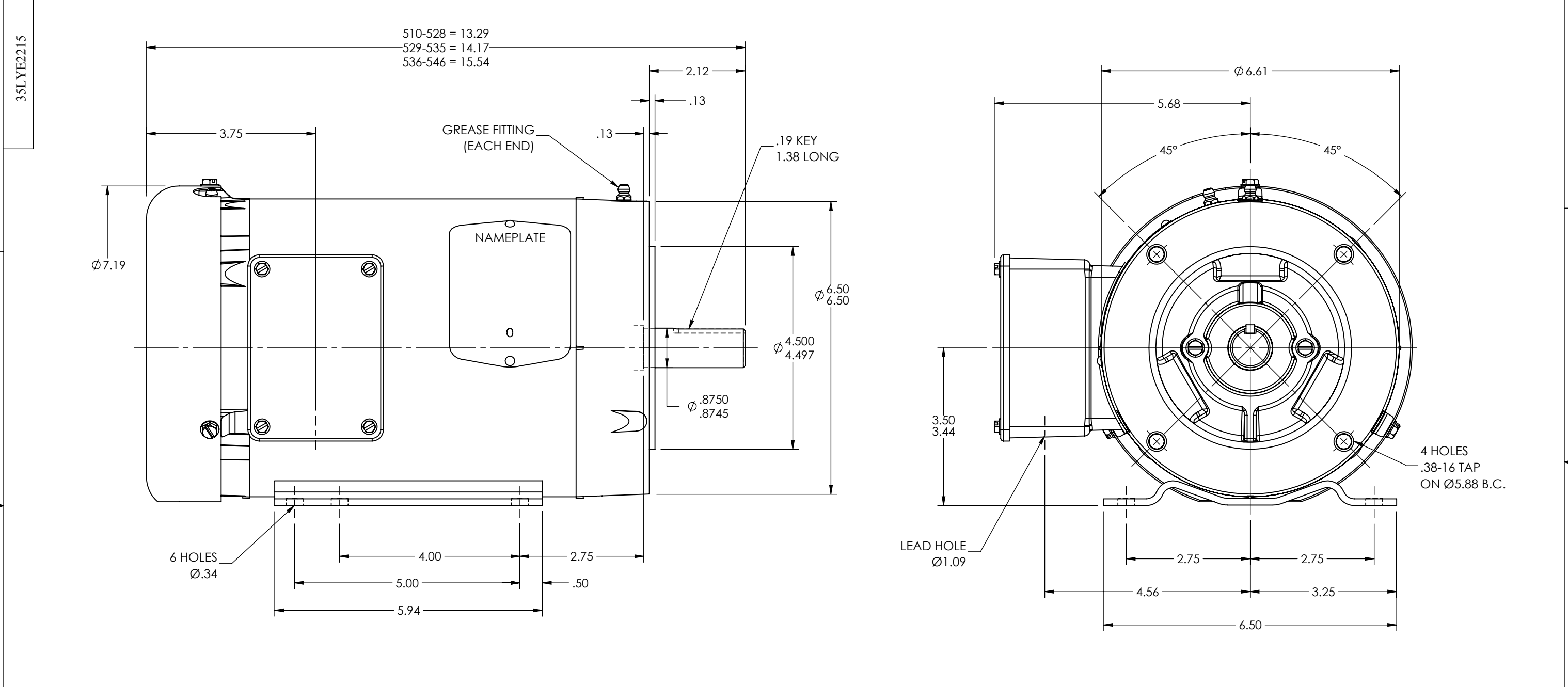


8 7 6 5 4 3 2 1



PULLEY END DETAIL

CUSTOMER IS RESPONSIBLE FOR DETERMINING THAT THE PRODUCT WILL PERFORM SUITABLY IN THE INTENDED APPLICATION

REV. DESC: LOADING OF SWD DWG FOR 2D TO 3D CONVERSION PKG 16			
REV: C	VERSION: 03	REVISED: 09:31:04 02/01/2019	TDR: 000001098202
MODEL NO. 35LYE2215		REF: -	
BY: ENALEM0		<b>B</b>	

**BALDOR - RELIANCE®**

HOR 143-5TC TEFC 35M W/BALDOR INT SH GRD  
SH 1 of 1

8 7 6 5 4 3 2 1

35LYE2215