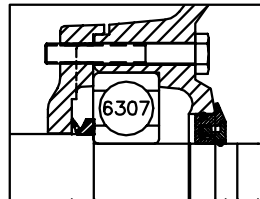
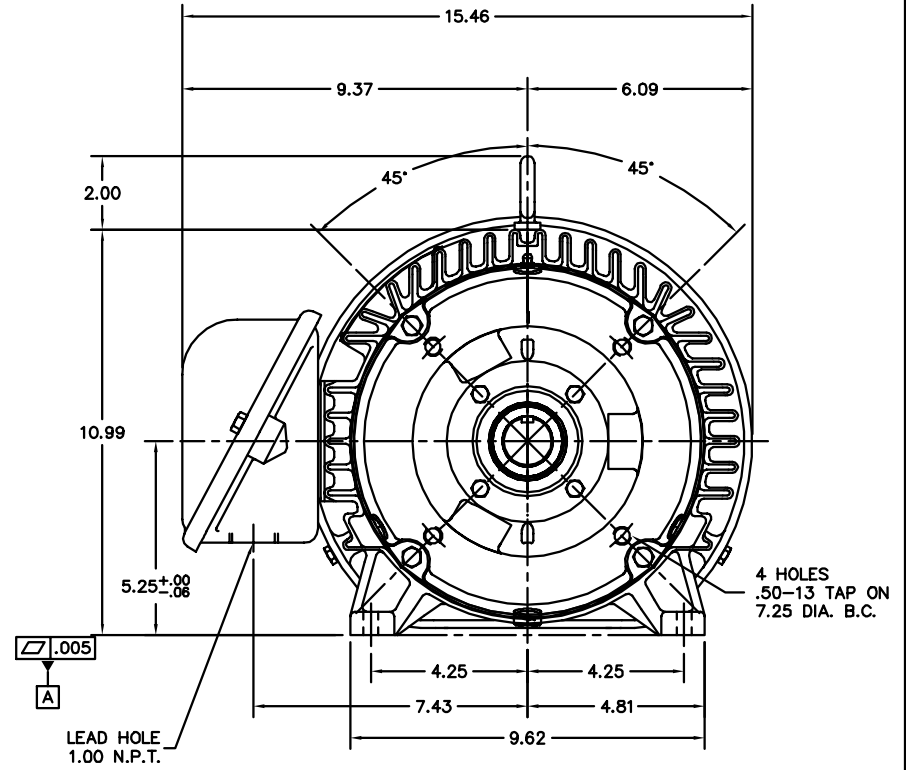


FRONT END DETAIL



PULLEY END DETAIL



CUSTOMER IS RESPONSIBLE FOR DETERMINING THAT BALDOR'S PRODUCT WILL PERFORM SUITABLY IN THE INTENDED APPLICATION.

REV. DESC: CHANGE BA LENGTH FROM 4.50" TO 4.25"		
REV. LTR: B	VERSION: 02	TDR: 00000933358
FILE: \AAA\00194\354	REVISED: 09:32:29 07/13/2015	BY: ENBRAMO
MTL: -		

**BALDOR**

STD HORZ 213-5TC TEFC 307M IEEEB41

SH 1 of 1