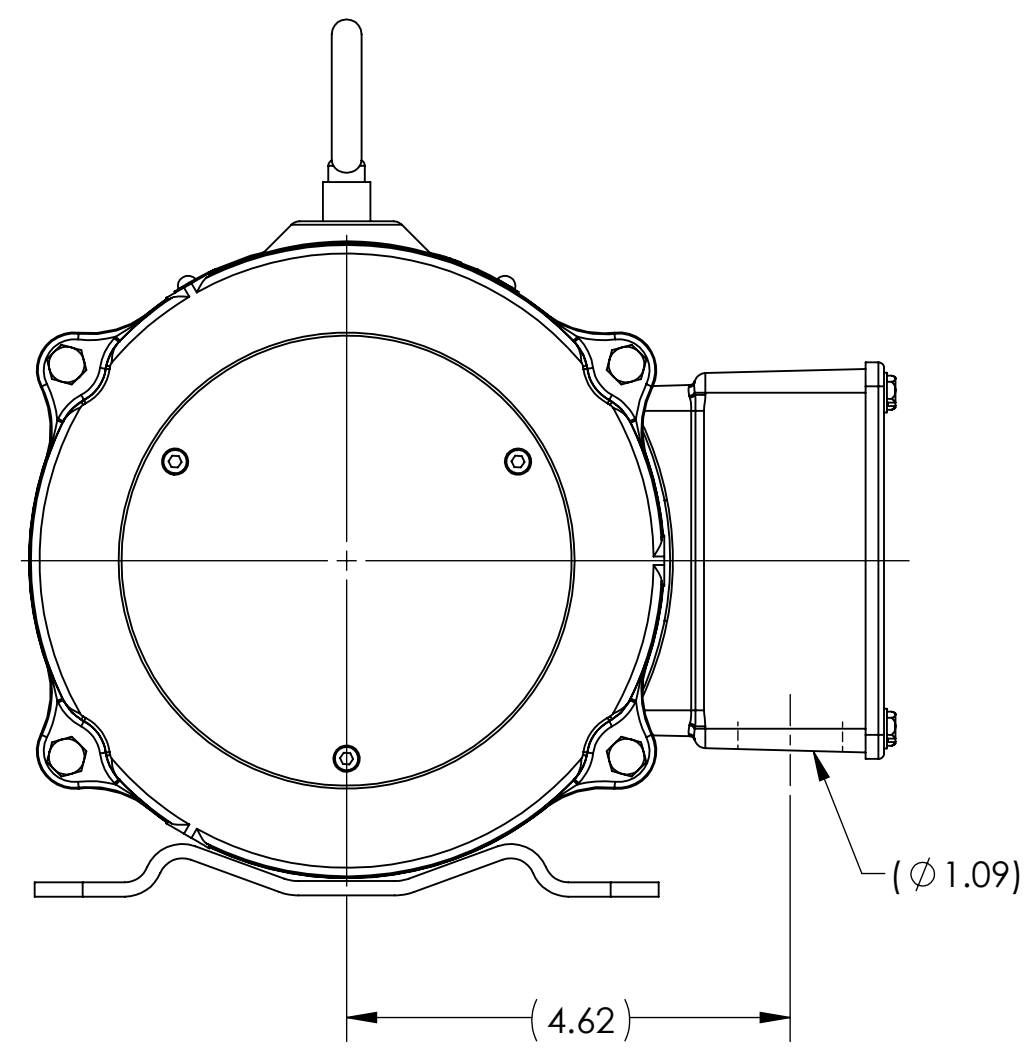
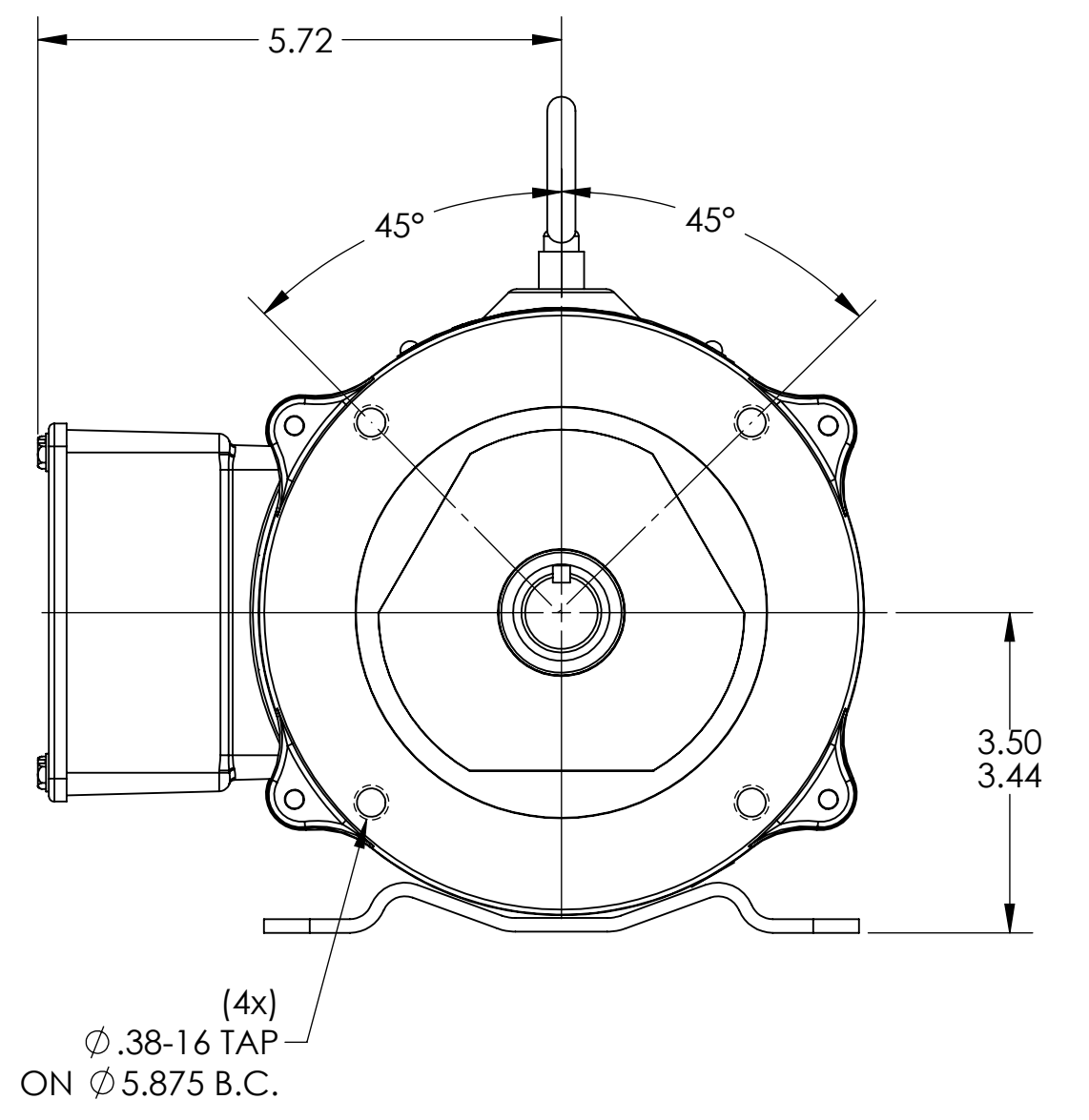
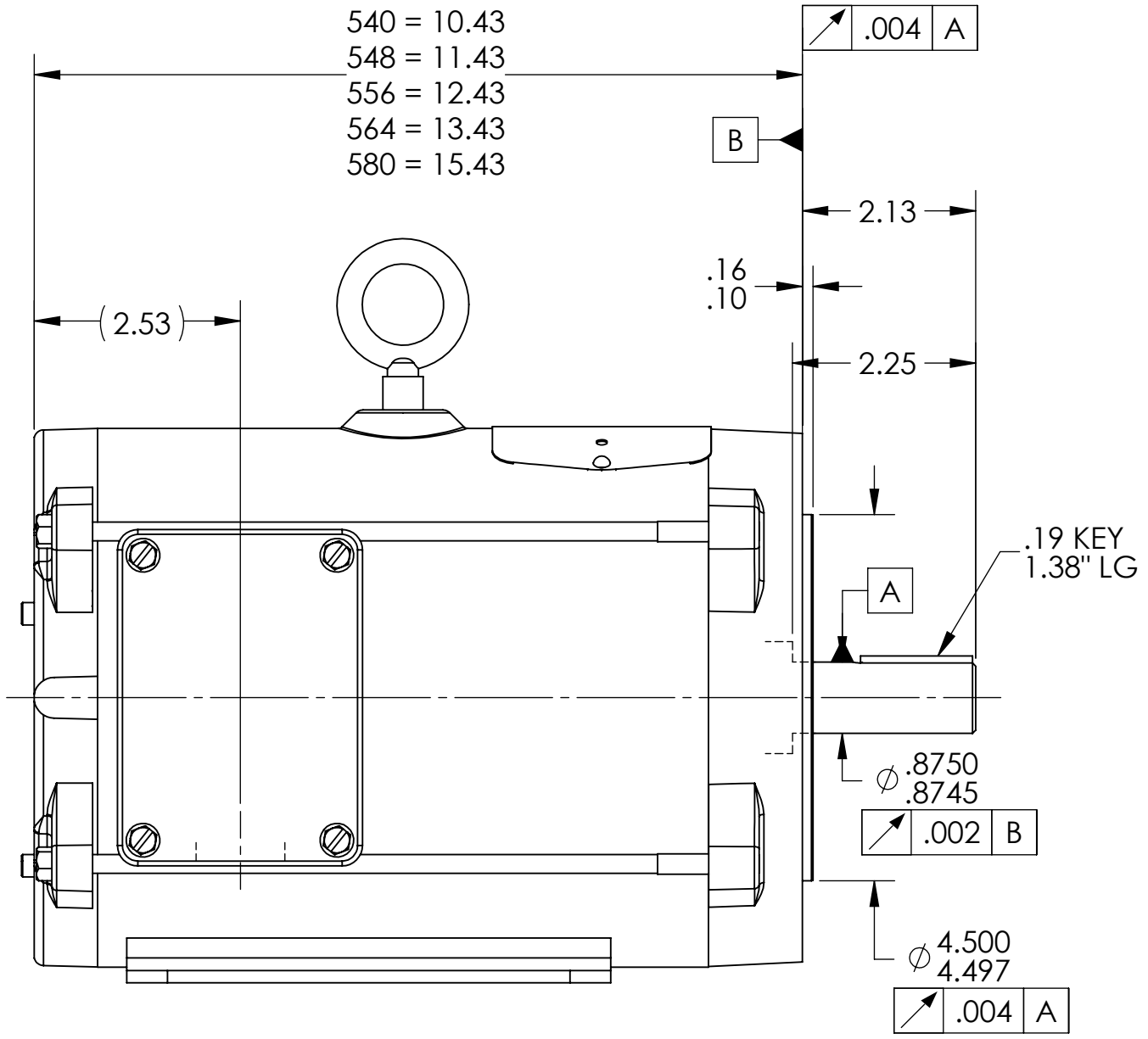


- 532 = 9.43
- 540 = 10.43
- 548 = 11.43
- 556 = 12.43
- 564 = 13.43
- 580 = 15.43



TOL UNLESS SPEC.  
 2 PLC INCH DEC. =  
 ± .06" [1.5mm]  
 ANGLES ± 0.5°

CUSTOMER IS RESPONSIBLE FOR DETERMINING THAT BALDOR'S PRODUCT WILL PERFORM SUITABLY IN THE INTENDED APPLICATION

REV. DESC: NEW	VERSION: 00	REVISED:04:30:53 01/27/2017	TDR: 000001011346
MODEL NO. 35LYP1161	BY: ENJFDO	REF: -	

**BALDOR**

HORZ NEMA 143-5TC BLDC, KOBX, NO FEEDBACK, LIFT RING