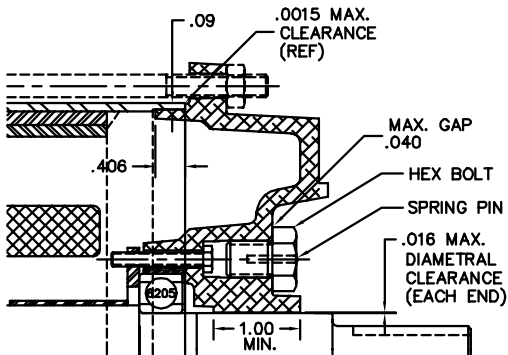
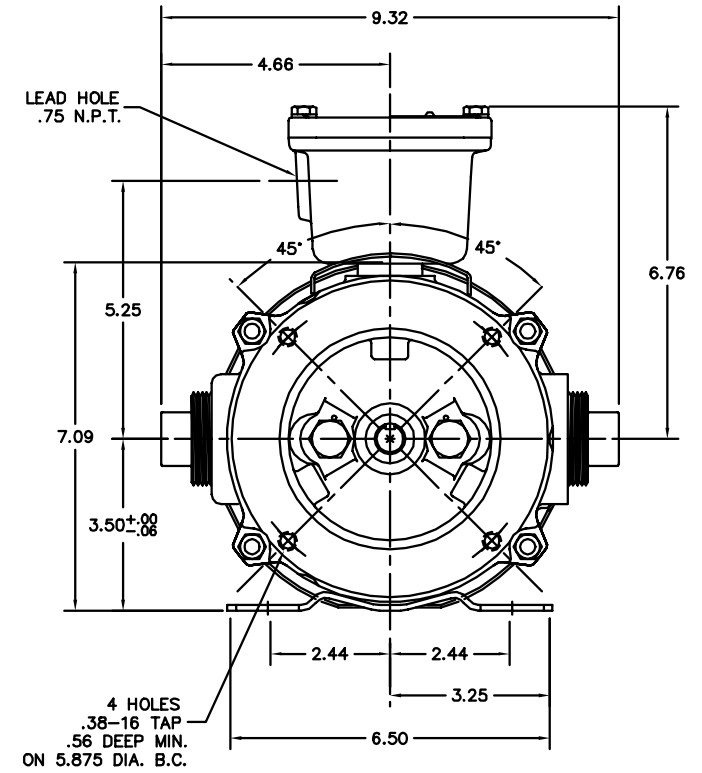
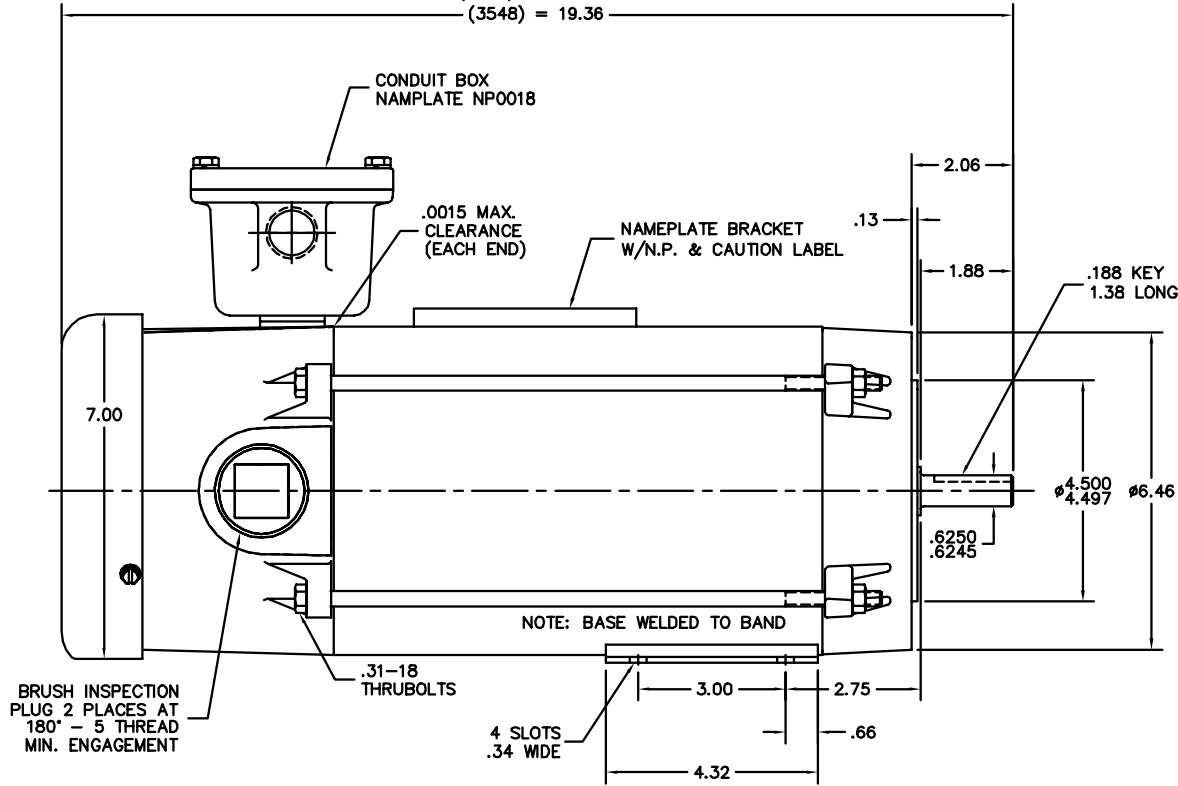


(3524) = 17.30
 (3536) = 18.36
 (3548) = 19.36



CUSTOMER IS RESPONSIBLE FOR DETERMINING THAT BALDOR'S PRODUCT WILL PERFORM SUITABLY IN THE INTENDED APPLICATION.

REV. DESC: ADD NOTE FOR MIN THREAD ENGAGEMENT ON BRUSH PLUG		
REV. LTR: J	VERSION: 04	TDR: 000000779077
FILE: \AAA\00003\594	REVISED: 09:16:02 12/27/2012	BY: ENMORWO
MTL: -		

BALDOR

STD HORZ TEFC 35XPM NEMA 56C, CL I GP D, CL II GP F&G

SH 1 of 1