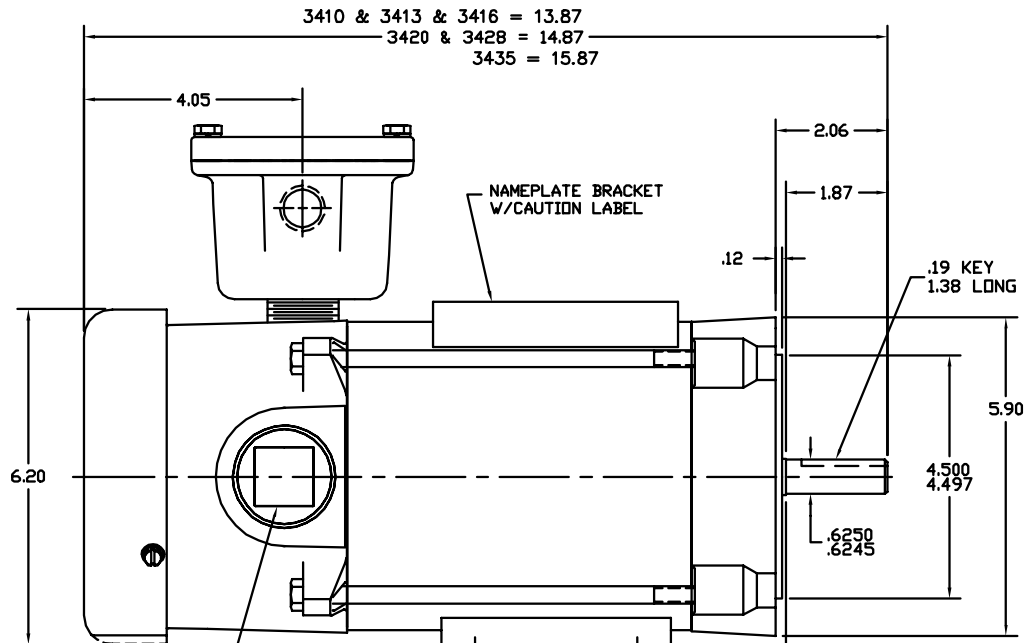
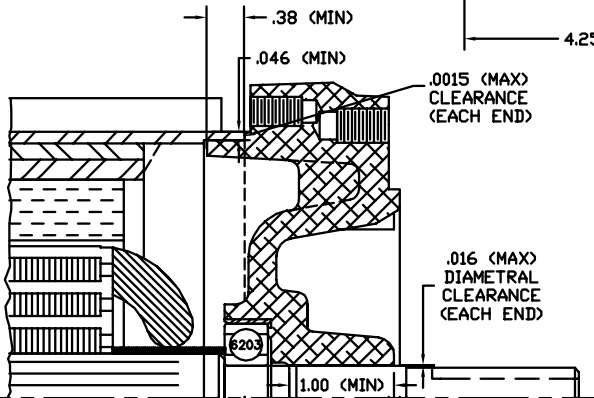
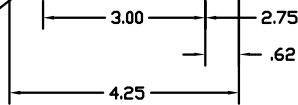


34LY6519

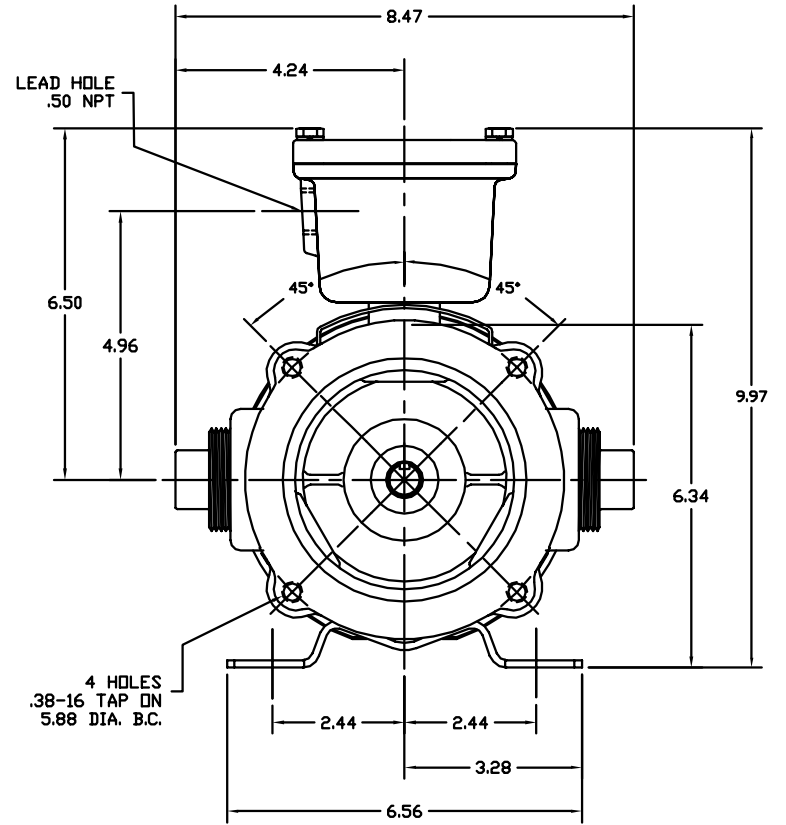


BRUSH INSPECTION
 PLUG 2 PLACES AT
 180° - 5 THREAD
 MIN. ENGAGEMENT

4 SLOTS
 .34 WIDE



PULLEY END DETAIL



CUSTOMER IS RESPONSIBLE FOR DETERMINING THAT BALDOR'S PRODUCT WILL PERFORM SUITABLY IN THE INTENDED APPLICATION.

REV. DESC: UPDATE DWG		
REV. LTR: H	VERSION: 04	TDR: 00000918748
FILE: \AAA\00022\077	REVISED: 04:24:31 04/13/2015	BY: ENJERWO
MTL: -		

BALDOR

HORZ X34PM 56C XPFC CL-I GP-D, CL-II GP-F&G, .50 NPT LEAD

SH 1 of 1

34LY6519