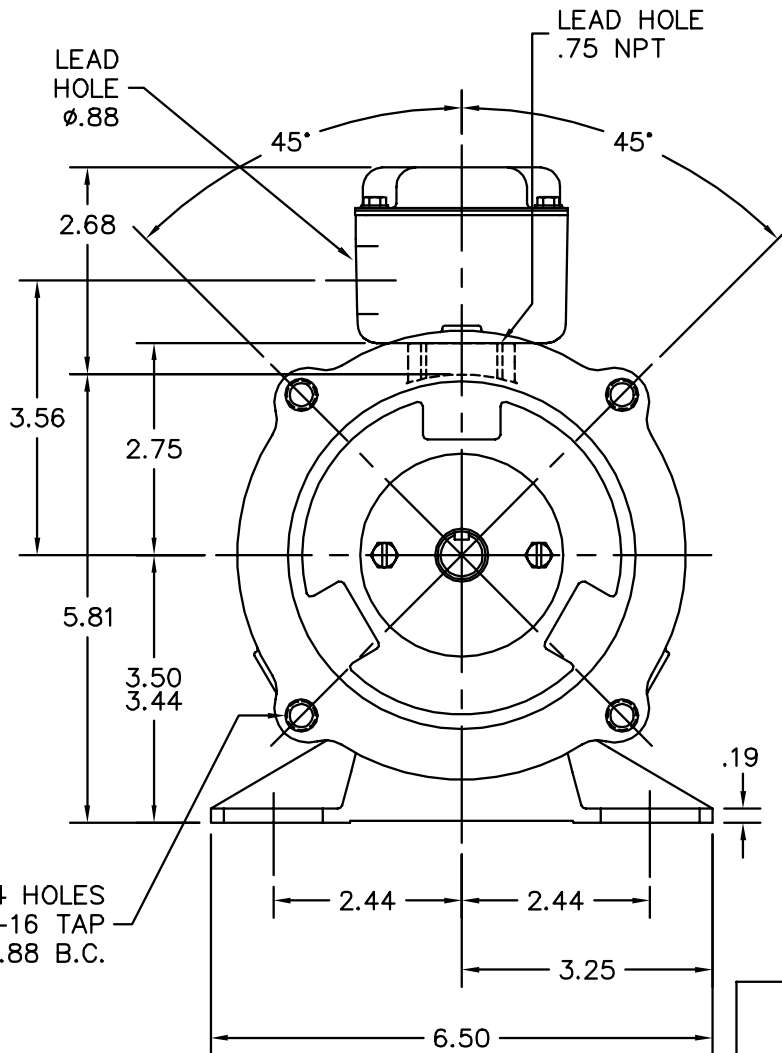
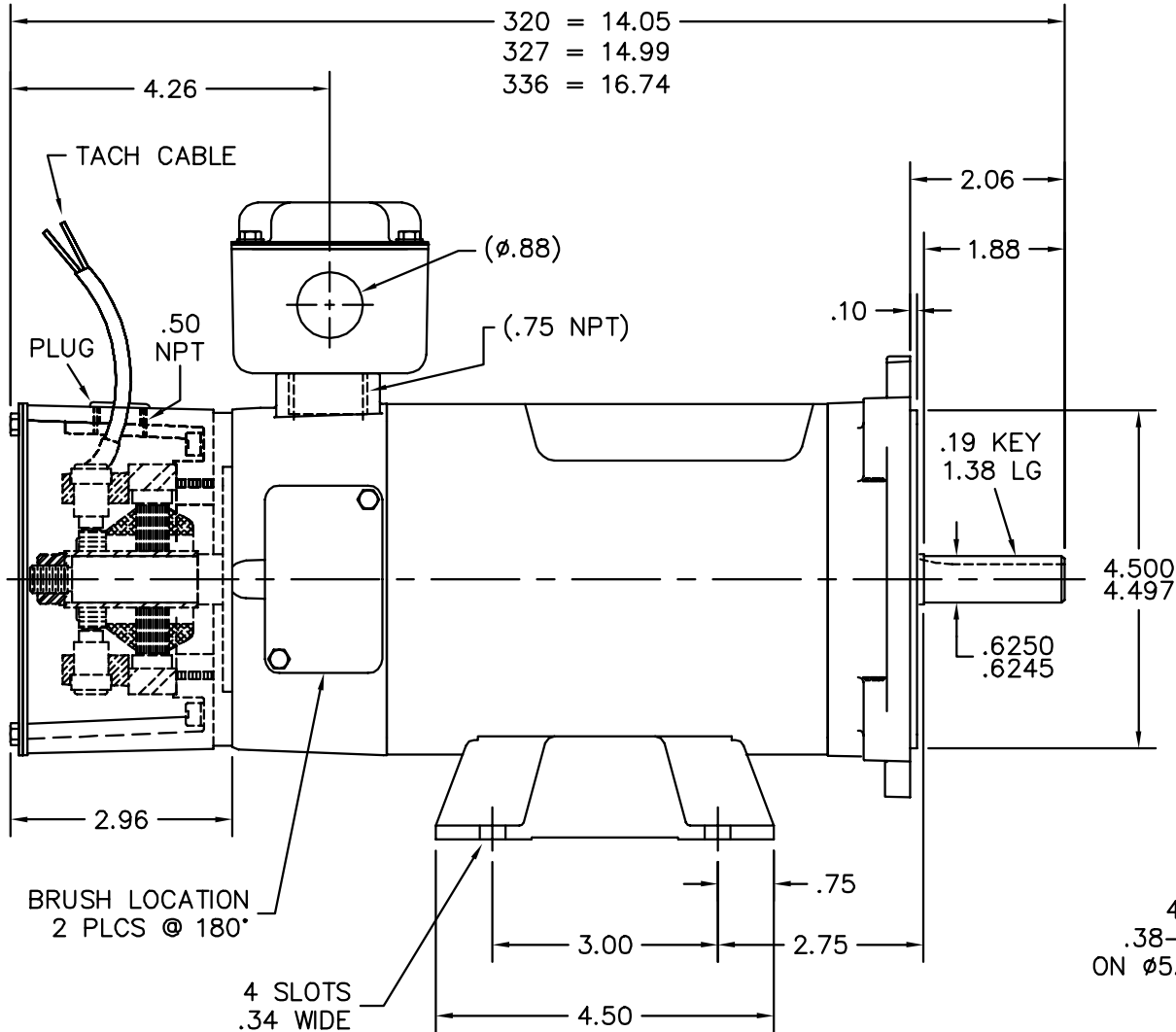


33LY2657

313 = 13.11  
320 = 14.05  
327 = 14.99  
336 = 16.74



CUSTOMER IS RESPONSIBLE FOR DETERMINING THAT BALDOR'S PRODUCT WILL PERFORM SUITABLY IN THE INTENDED APPLICATION.

REV. DESC: NEW		
REV. LTR: -	VERSION: 00	TDR: 000001111570
FILE: \AAA\00249\061	REVISED: 01:15:22 06/17/2019	BY: ENJEFD0
MTL: -		

**BALDOR - RELIANCE®**

STD HORZ 33PM NEMA 56C TENV 2 POLE W/INT. TGF-2030 TACH  
SH 1 of 1

33LY2657