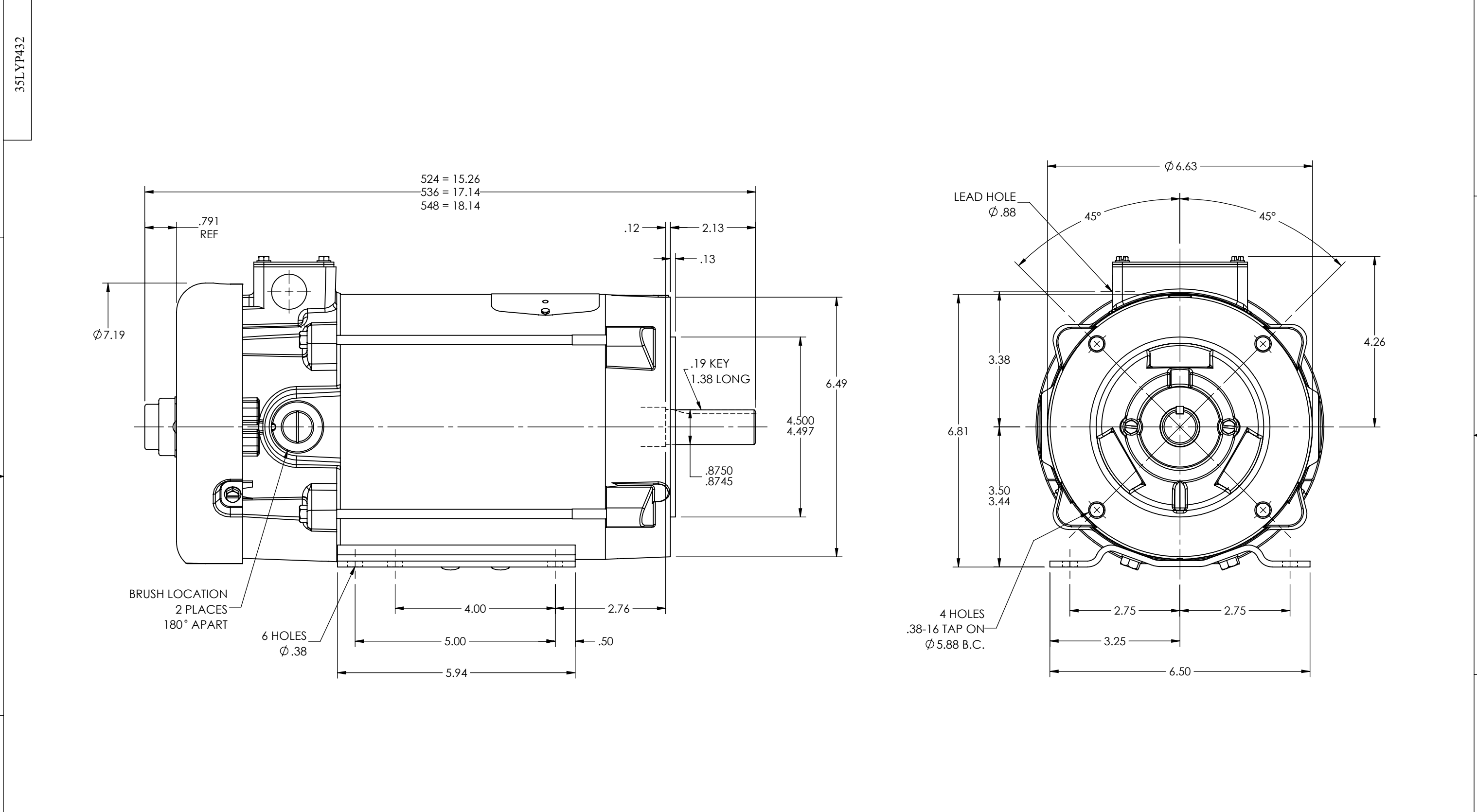


8 7 6 5 4 3 2 1



A

CUSTOMER IS RESPONSIBLE FOR DETERMINING THAT THE PRODUCT WILL PERFORM SUITABLY IN THE INTENDED APPLICATION

REV. DESC: LOAD INOPC CREATED SWD DRG INTO BUS - PACKAGE 29			
REV: F	VERSION: 04	REVISED: 07:43:48 07/26/2019	TDR: 000001114730
MODEL NO. 35LYP432			REF: -
BY: USBUFRA			<b>B</b>

**BALDOR - RELIANCE®**

STD HORZ "C" 35PM NEMA 143-5TC TEFC 2P MFTK W/BOLT ON BASE  
SH 1 of 1

8 7 6 5 4 3 2 1

35LYP432