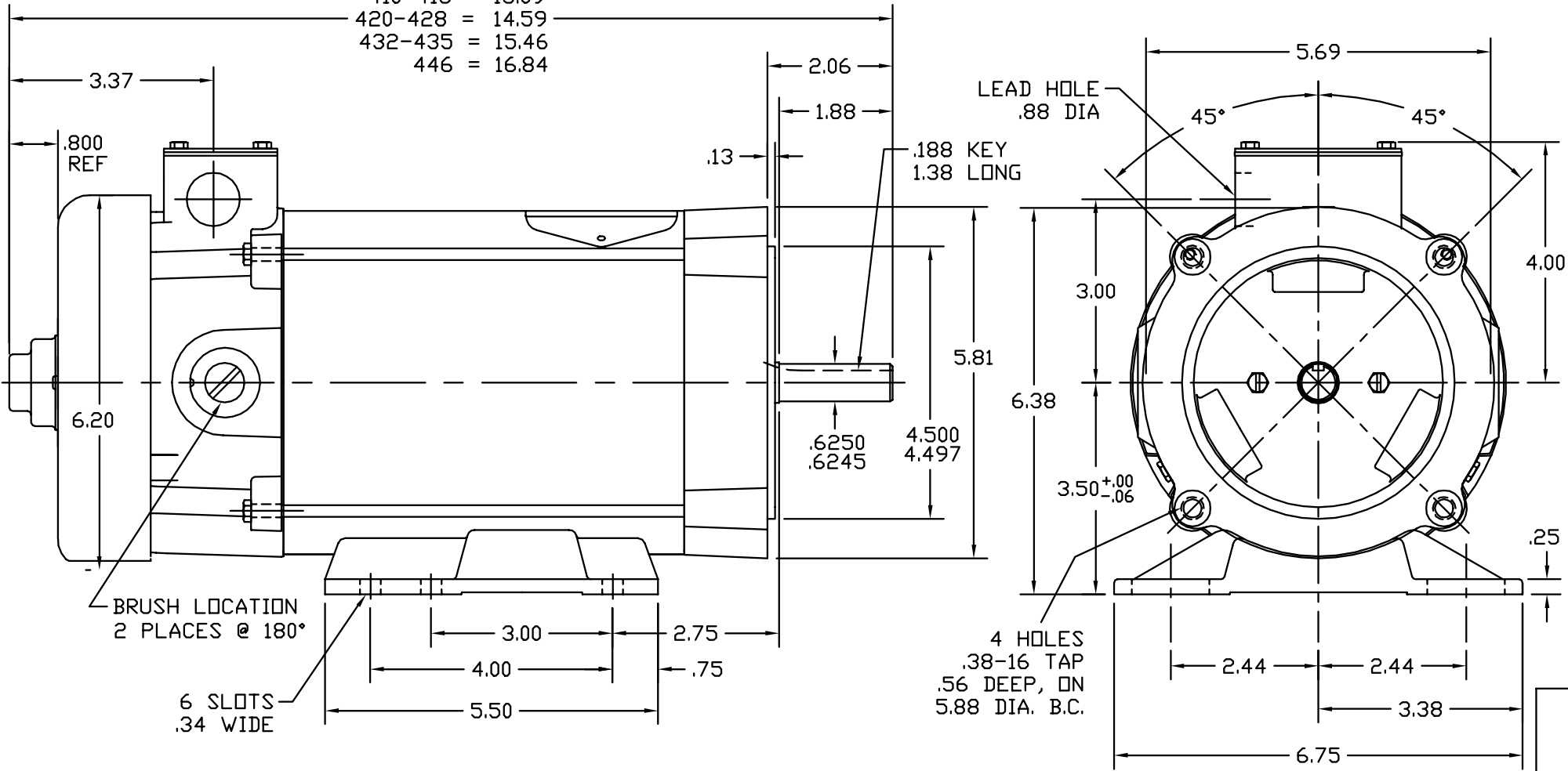



410-416 = 13.09
420-428 = 14.59
432-435 = 15.46
446 = 16.84



CUSTOMER IS RESPONSIBLE FOR DETERMINING THAT BALDOR'S PRODUCT WILL PERFORM SUITABLY IN THE INTENDED APPLICATION.

REV. DESC: UPDATE ALL PARTS		
REV. LTR: M	VERSION: 01	TDR: 000001053435
FILE: \AAA\00020\929	REVISED: 03: 38: 49 12/11/2017	BY: ENERINO
MTL: -		

BALDOR

SPL HORZ "C" 34PM NEMA 56C TEFC W/M.F.T.K.