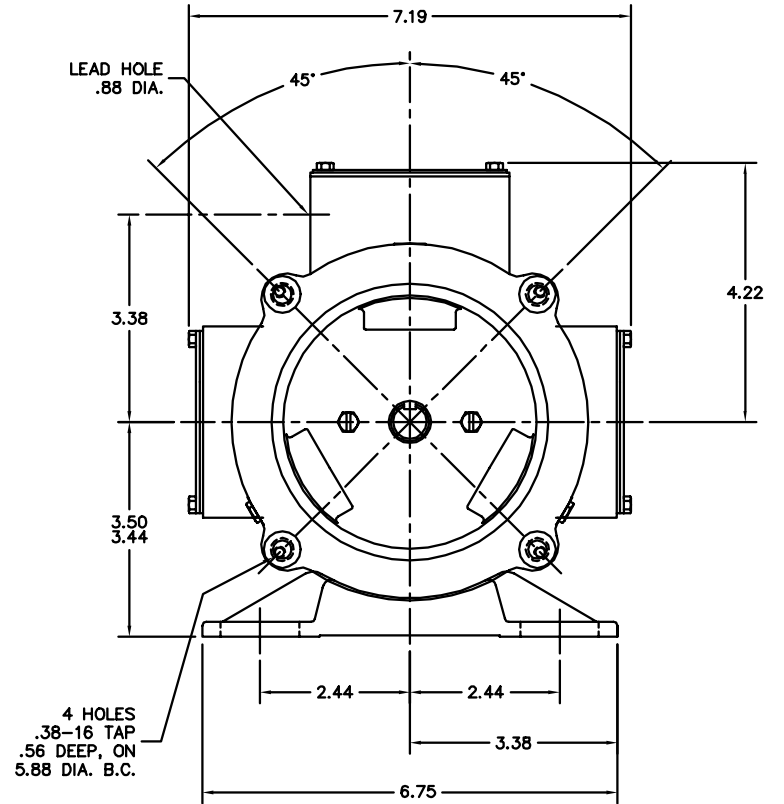
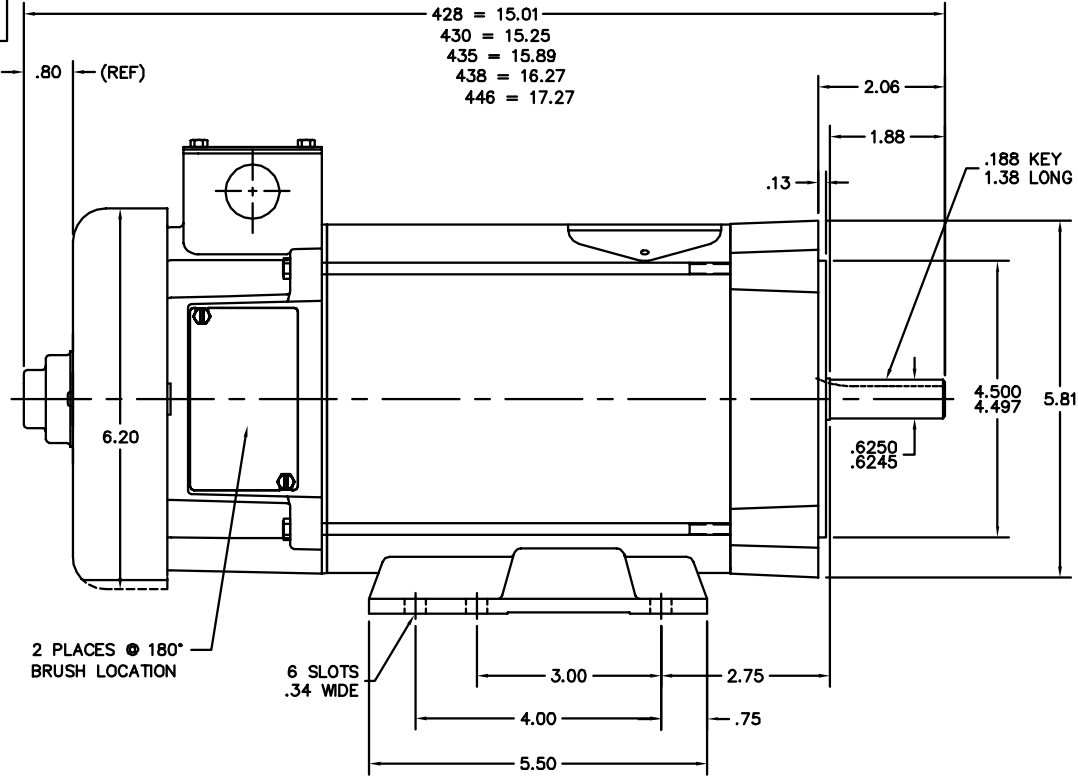


34LY6893

413 = 13.14
 416 = 13.51
 420 = 14.01
 424 = 14.51
 428 = 15.01
 430 = 15.25
 435 = 15.89
 438 = 16.27
 446 = 17.27



CUSTOMER IS RESPONSIBLE FOR DETERMINING THAT MOTOR PERFORMANCE IS SUITABLE IN THE APPLICATION.

REV. DESC: ADDED 438 STACK ON DRAWING		
REV. LTR: H	VERSION: 06	TDR: 000000433308
FILE: \AAA\00090\544	REVISED: 10:48:06 06/12/2007	BY: ENRSTO
MTL: -		

Baldor • Dodge • Reliance

STD HORZ 34PM NEMA 56C TEFC (HI DEMAG MOTOR)

34LY6893