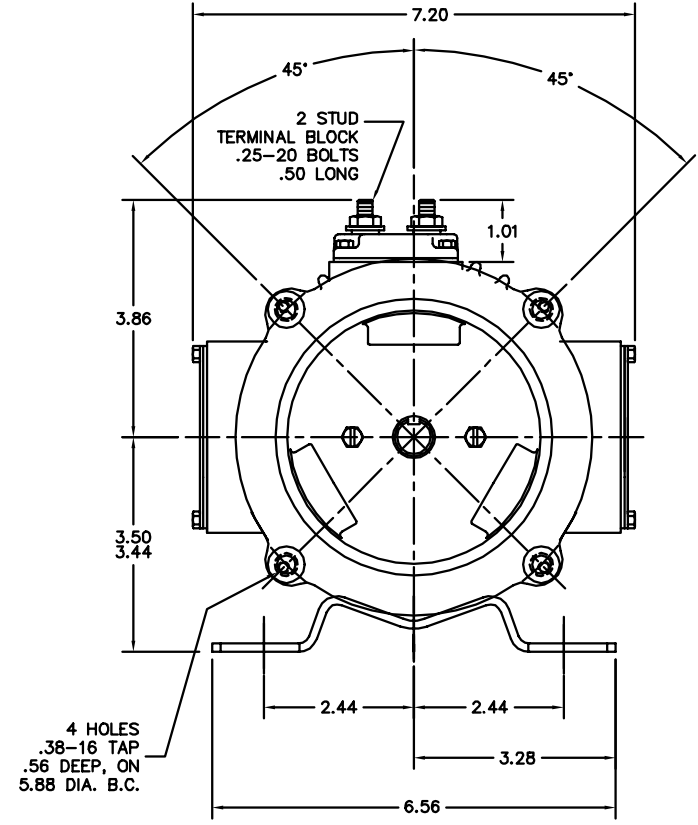
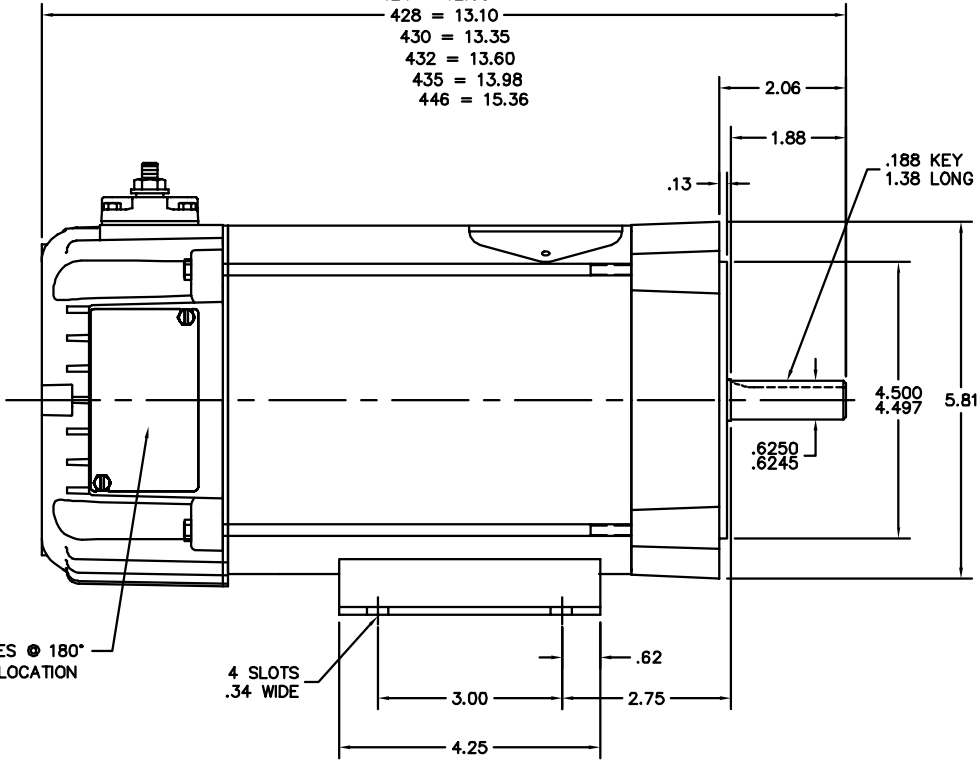


- 413 = 11.23
- 416 = 11.60
- 420 = 12.10
- 424 = 12.60
- 428 = 13.10
- 430 = 13.35
- 432 = 13.60
- 435 = 13.98
- 446 = 15.36



CUSTOMER IS RESPONSIBLE FOR DETERMINING THAT BALDOR'S PRODUCT WILL PERFORM SUITABLY IN THE INTENDED APPLICATION.

REV. DESC: CORRECT OAL DIMENSION. IT IS NOT TOUCHING FREP			BALDOR
REV. LTR: C	VERSION: 03	TDR: 00000939125	
FILE: \AAA\00118\141	REVISED: 10:52:52 08/13/2015	BY: USGRHUR	
MTL: -			
			STD HORZ 34PM NEMA 56C TENV W/TERMINAL BLOCK (HI DEMAG MTR)
			SH 1 of 1