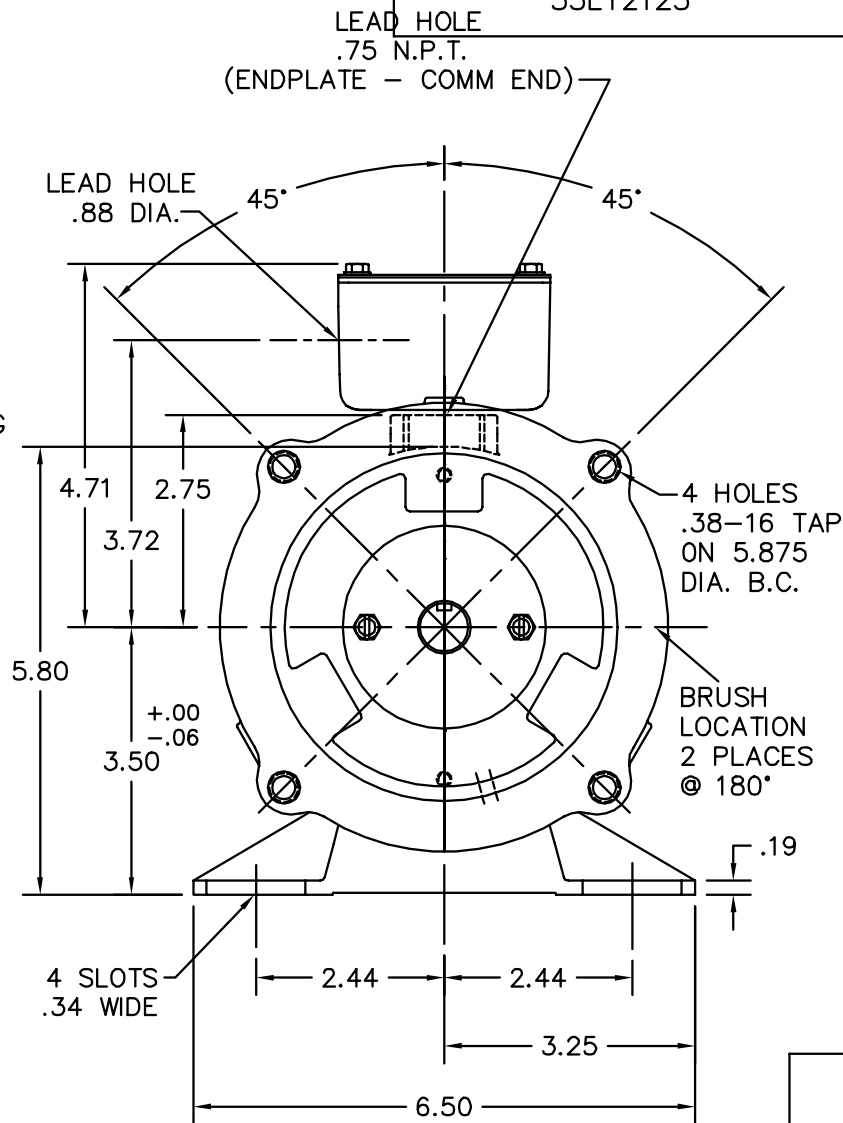
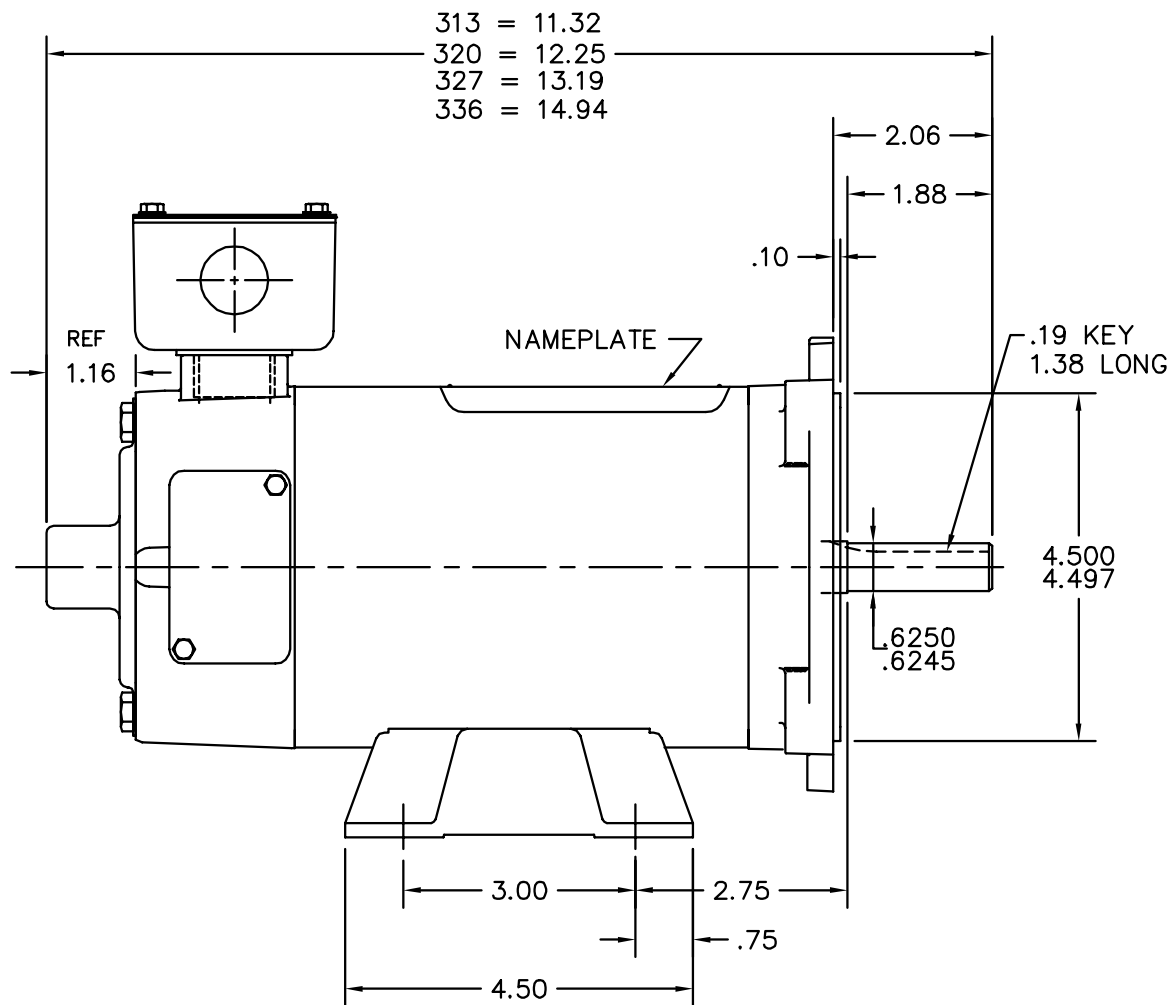



33LY2123



CUSTOMER IS RESPONSIBLE FOR DETERMINING THAT BALDOR'S PRODUCT WILL PERFORM SUITABLY IN THE INTENDED APPLICATION.

REV. DESC: CHANGE .13 TO .10 RABBET		
REV. LTR: G	VERSION: 01	TDR: 00000828406
FILE: \AAA\00014\553	REVISED: 10: 34: 35 11/26/2013	BY: ENMAIYO
MTL: -		

BALDOR

SPL HORZ 33PM TENV NEMA 56C W/M.F.T.K

SH 1 of 1

33LY2123