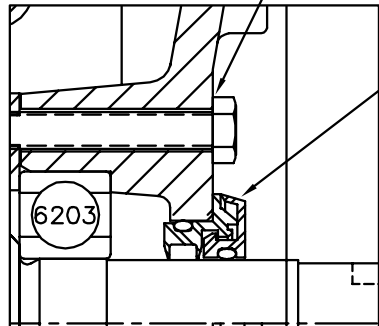



FRONT END DETAIL



PULLEY END DETAIL

CUSTOMER IS RESPONSIBLE FOR DETERMINING THAT BALDOR'S PRODUCT WILL PERFORM SUITABLY IN THE INTENDED APPLICATION.

REV. DESC: CHG BAND TO 34SB2730		
REV. LTR: A	VERSION: 01	TDR: 00000980461
FILE: \AAA\00226\369	REVISED: 09:51:57 05/17/2016	BY: ENBENBO
MTL: -		

BALDOR

STD HORZ 56C TEFC 34M DDP (S/P032-002-002)

SH 1 of 1