

# DUTY MASTER ALTERNATING CURRENT MOTORS

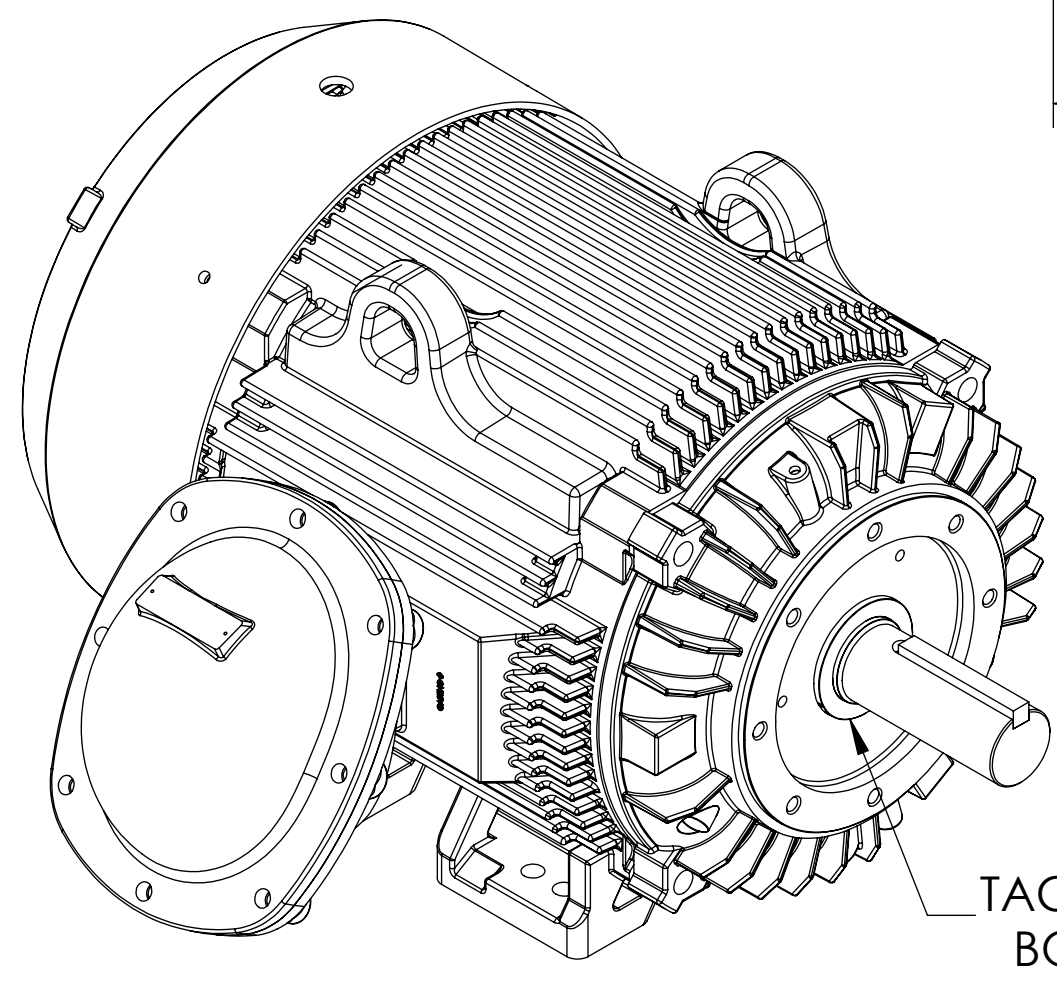
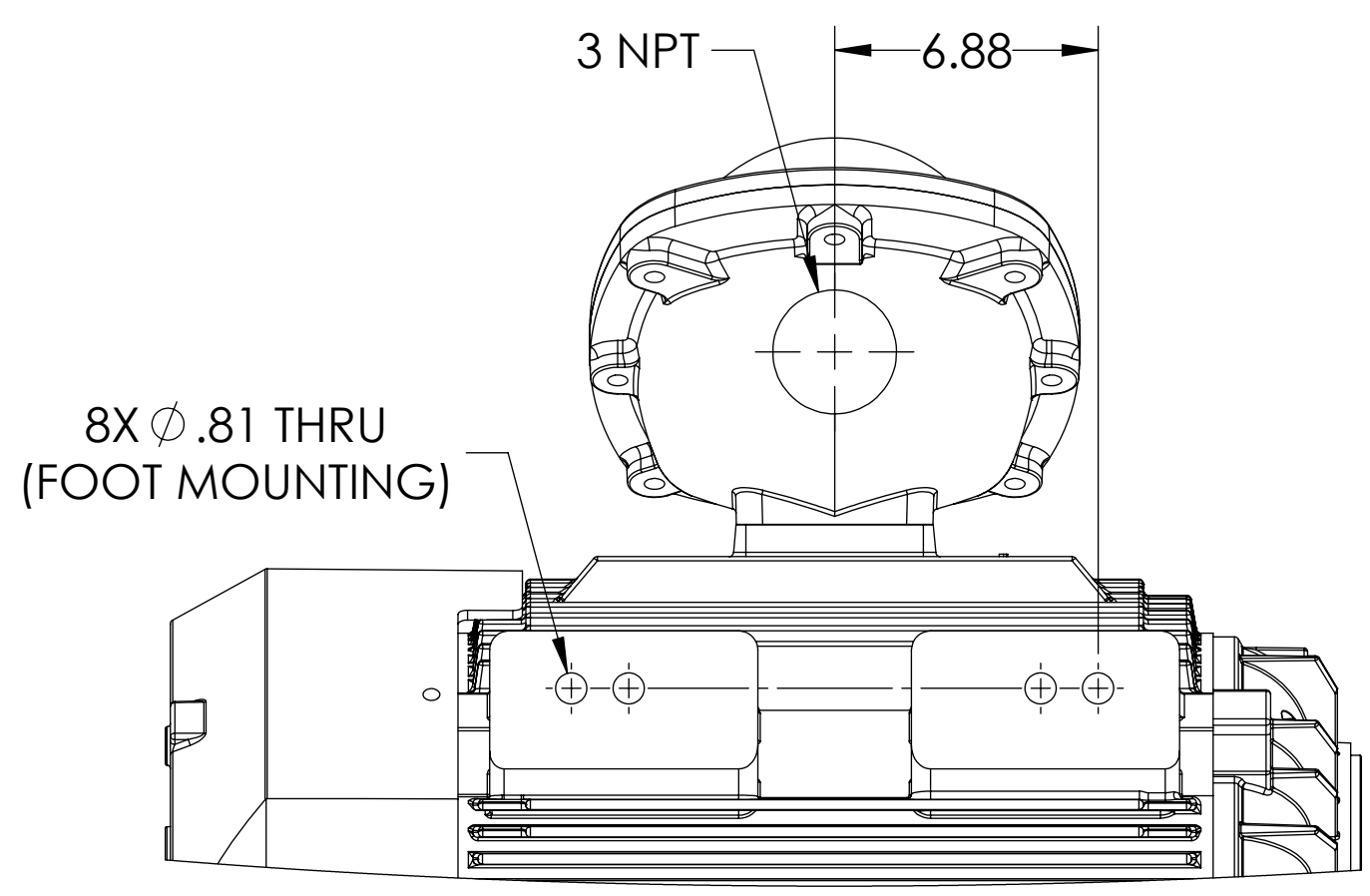
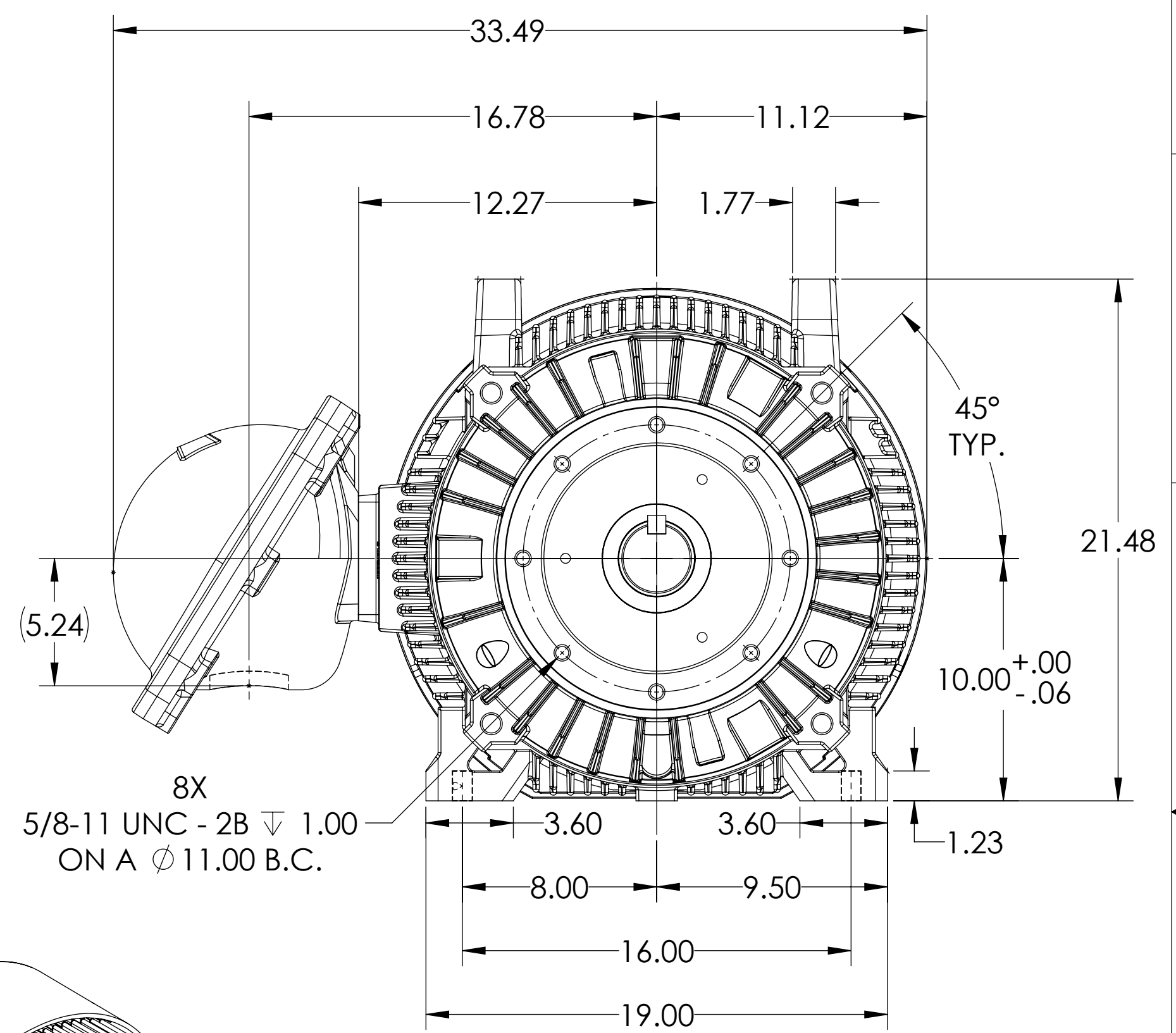
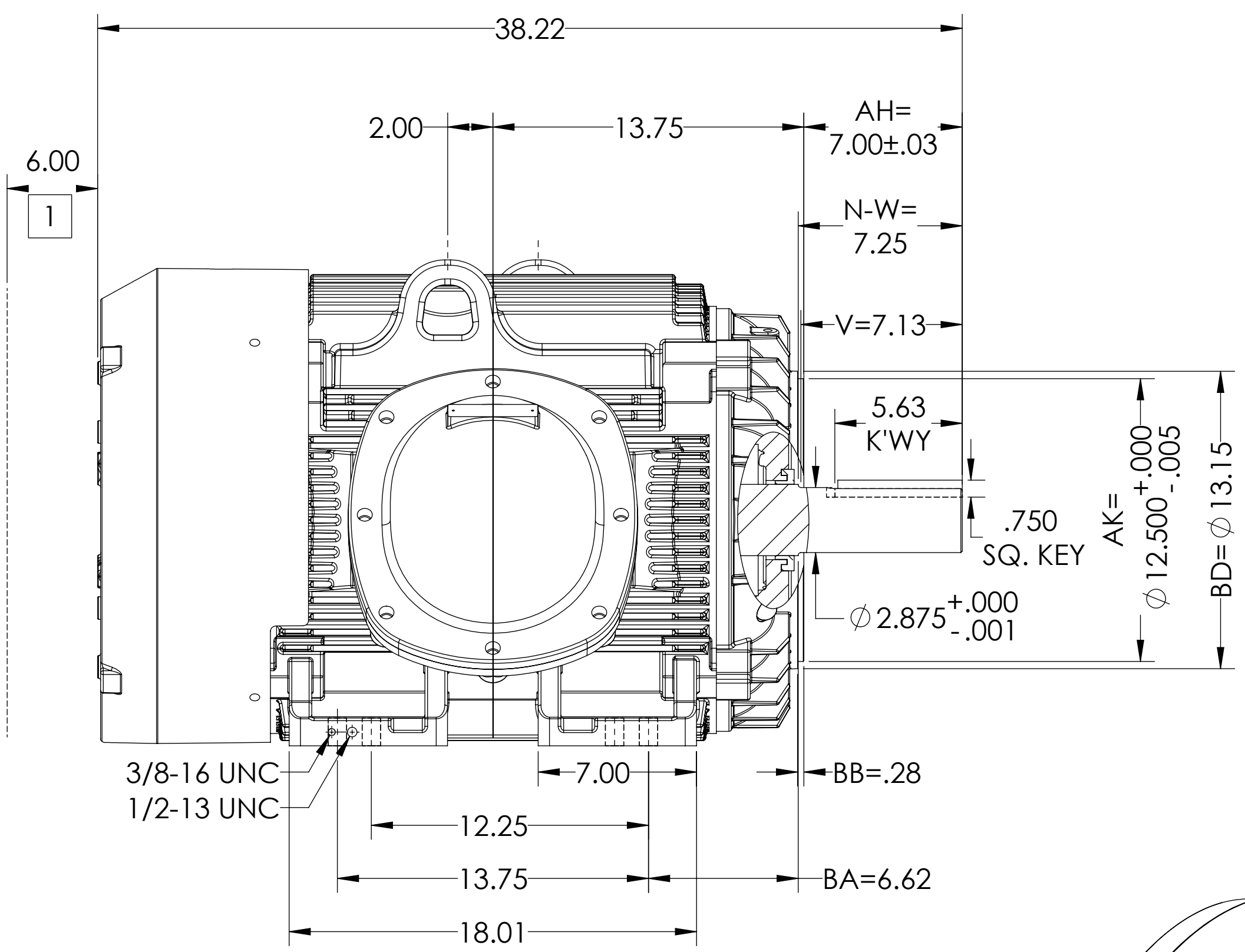
## SQUIRREL-CAGE INDUCTION

ENCLOSURE: UNDERWRITERS LISTED

MOUNTING: FOOT, F-1

G405T/G404T FRAME MOUNTING HOLES

COOLING: FAN COOLED



TACONITE SLINGER  
BOTH BRACKETS

1 OBSTRUCTION MUST NOT ENCROACH ON AIR INLET.

IF MOUNTING CLEARANCE DETAILS ARE REQUIRED, CONSULT FACTORY.  
WEIGHT (LBS): 1400, MOTOR WEIGHTS MAY VARY BY 15% DEPENDING ON RATING.  
MAX PERMISSIBLE SHAFT RUNOUT WHEN MEASURED AT END OF STANDARD SHAFT EXTENSION IS .003" T.I.R.

DIMENSIONS ARE IN INCHES.  
MAX FACE RUNOUT & ECCENTRICITY = .007 T.I.R.  
CUSTOMER IS RESPONSIBLE FOR DETERMINING THAT MOTOR PERFORMANCE IS SUITABLE IN THE APPLICATION.

REV. DESC: NEW DRAWING			
REV: -	VERSION: 00	REVISED: 10/33/06 10/12/2017	TDR: 000001044869
MODEL NO. 617429-905		REF:	
BY: USJEDIL	Material:	C	

### BALDOR

G405T/404TC XP TEFC F1 FOOT CAST IRON BOX/TACONITE SLINGERS