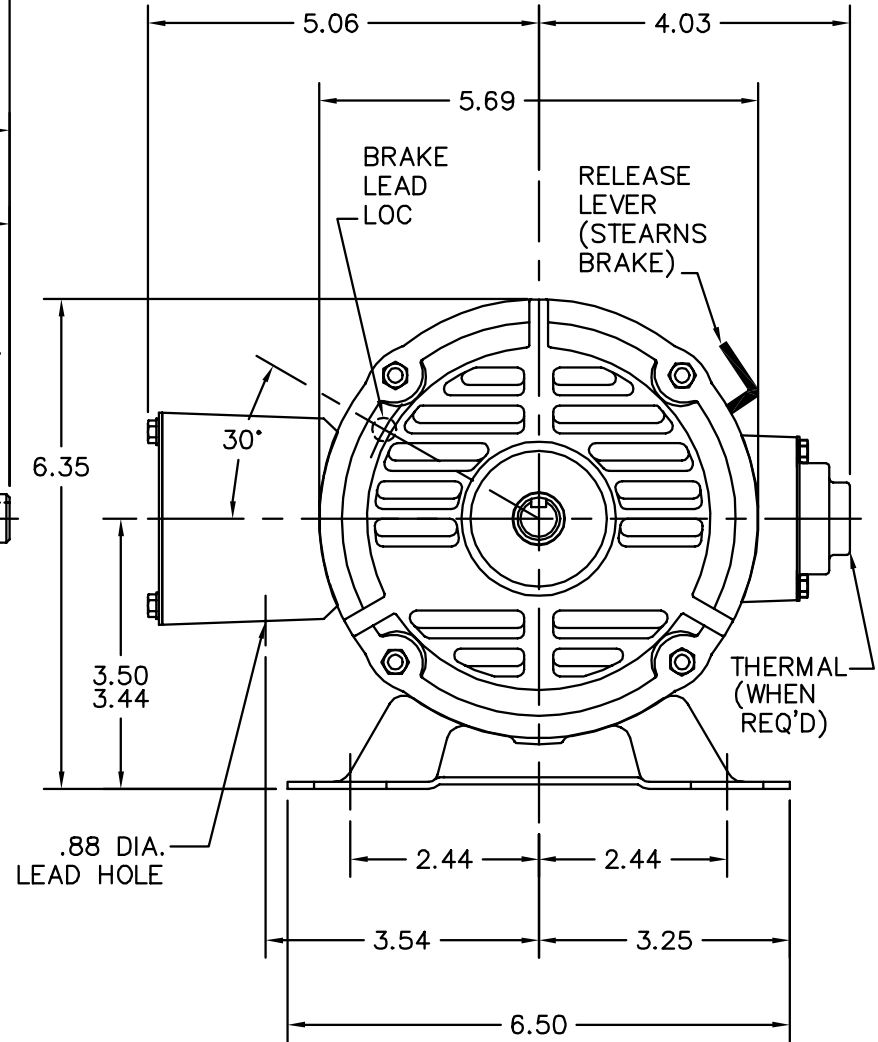
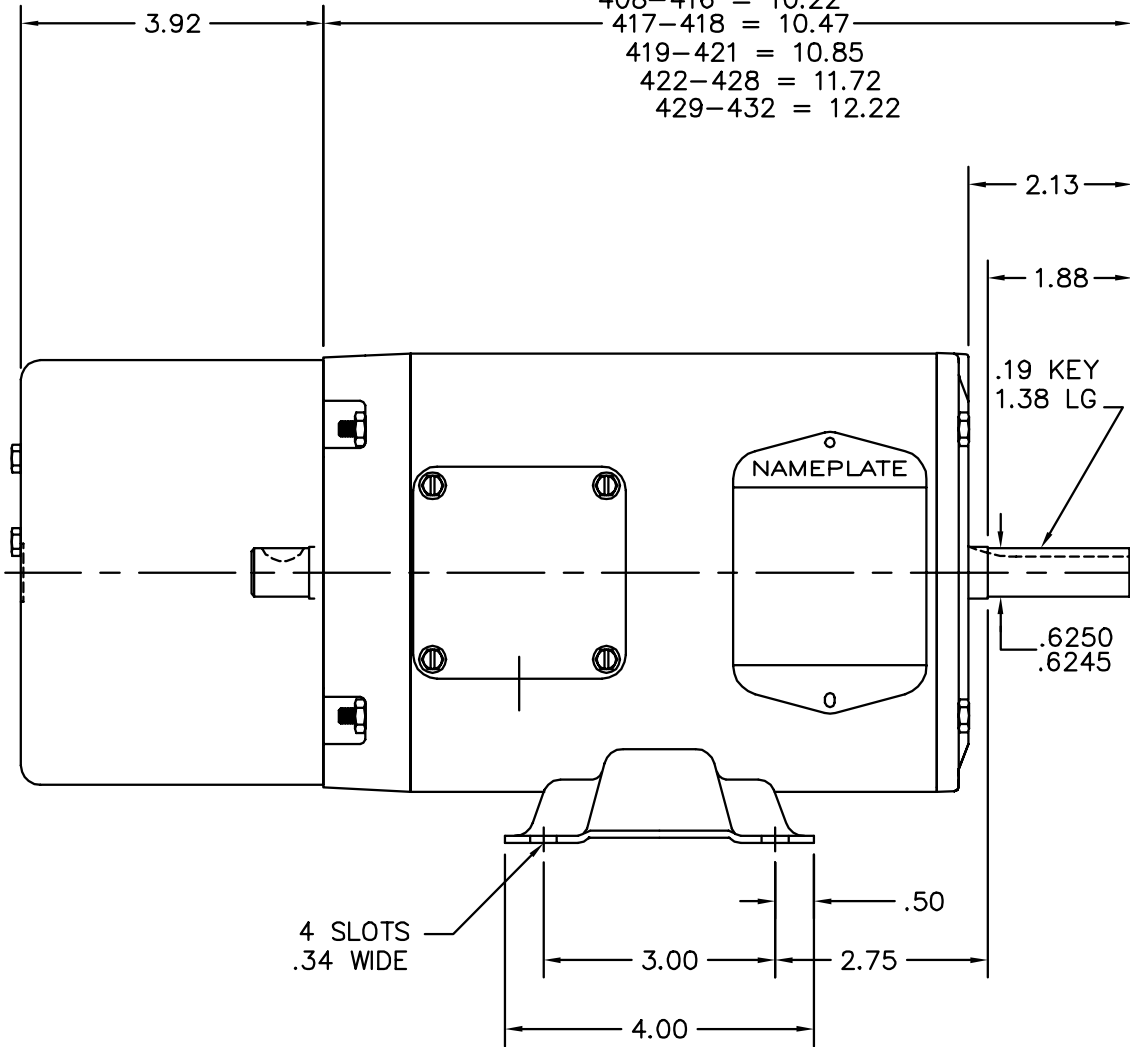


408-416 = 10.22
 417-418 = 10.47
 419-421 = 10.85
 422-428 = 11.72
 429-432 = 12.22



CUSTOMER IS RESPONSIBLE FOR DETERMINING THAT MOTOR PERFORMANCE IS SUITABLE IN THE APPLICATION.

REV. DESC: NEW KBOX & LID			
REV. LTR: C	BY: RT	REVISED: 13:15:45 10/14/2003	TDR: 314971
630JL74C		FILE: AAA00026621	REF: 34LYF039
		MTL: -	

BALDOR ELECTRIC Co.

STD HORZ MODEL 34M NEMA 56 OPEN W/BRAKE