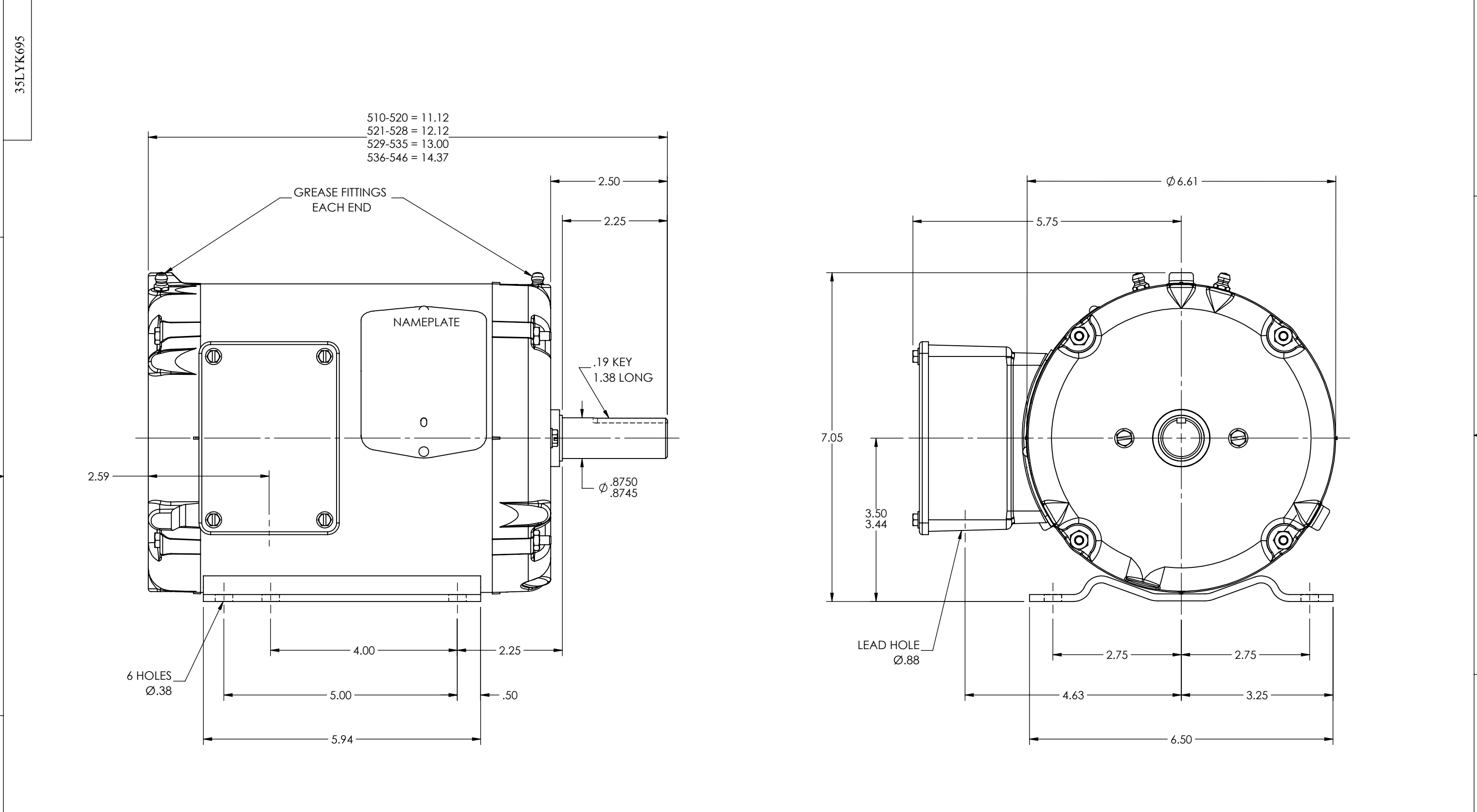


8 7 6 5 4 3 2 1



A A

CUSTOMER IS RESPONSIBLE FOR DETERMINING THAT THE PRODUCT WILL PERFORM SUITABLY IN THE INTENDED APPLICATION

REV. DESC: LOADING OF SWD DWG FOR 2D TO 3D CONVERSION - PKG16			
REV: G	VERSION: 04	REVISED: 04:48:21 02/01/2019	TDR: 000001098202
MODEL NO. 35LYK695		REF: -	
BY: ENSTEK0		<b>B</b>	

**BALDOR - RELIANCE®**

HORZ 35M 143-5T TEAO W/LOCKED PU BRG  
 SH 1 OF 1

8 7 6 5 4 3 2 1

35LYK695