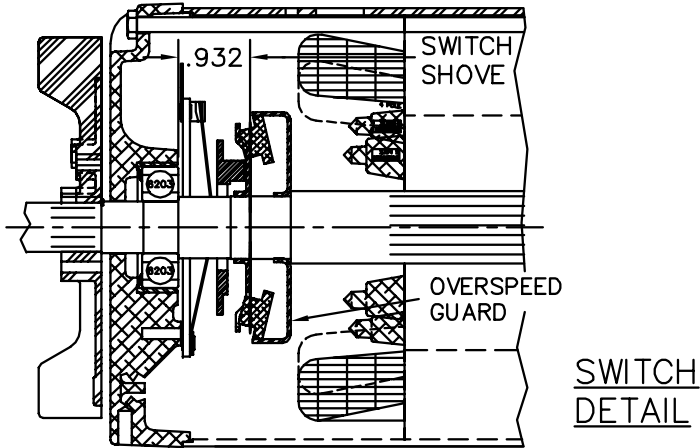
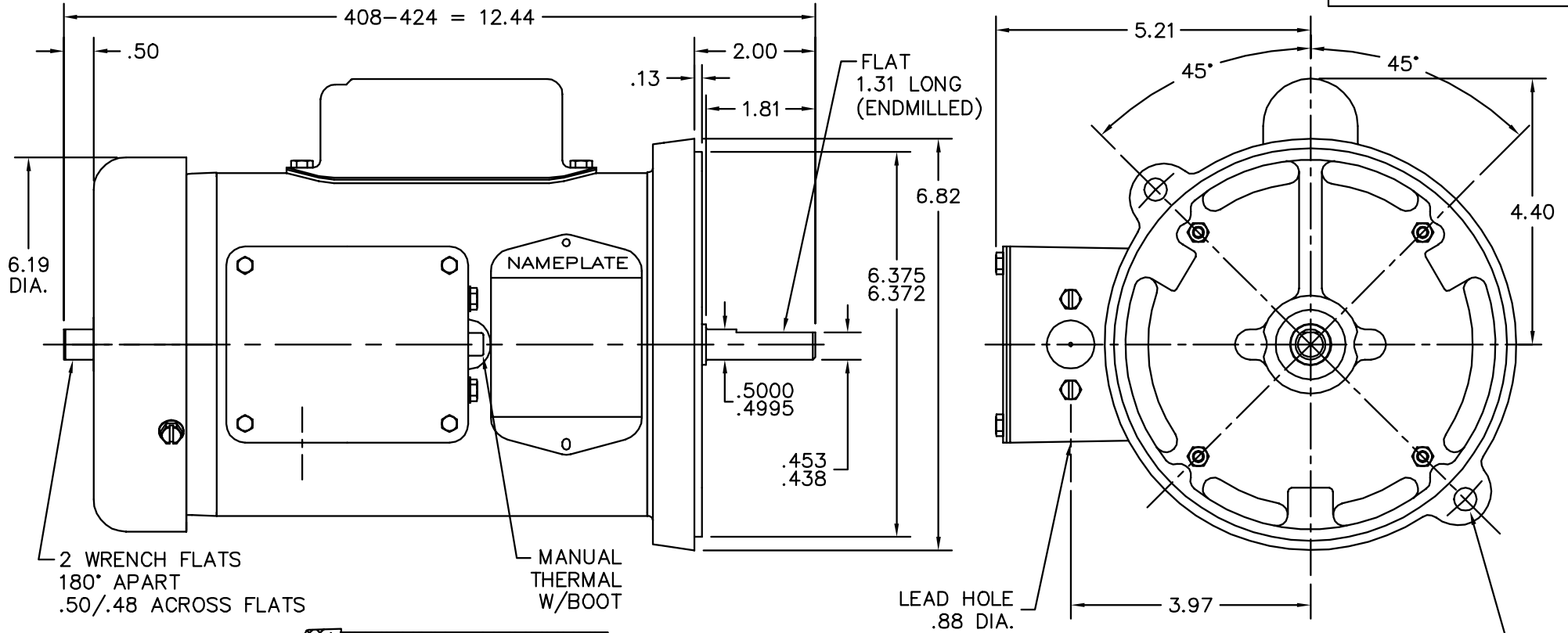


34LYH317



CUSTOMER IS RESPONSIBLE FOR DETERMINING THAT MOTOR PERFORMANCE IS SUITABLE IN THE APPLICATION.

REV. DESC: SH WAS 34SH5987, SB WAS 34SB1224, DEL "B" & "C" STK

REV. LTR: C BY: MH REVISED: 14: 38:00 09/23/2004 TDR: 344120

FILE: AAA00049720

REF: 34LYH317

MTL: -

BALDOR ELECTRIC Co.

VERT 34L 48YZ TEFC DBL SHAFT W/MTO IN KOBX & OVERSPEED GUARD

34LYH317

34LYH317