

DUTY MASTER ALTERNATING CURRENT MOTORS

SQUIRREL-CAGE INDUCTION
CAST IRON CONSTRUCTION

ENCLOSURE: TOTALLY ENCLOSED
MOUNTING: FOOT

FRAMES 364U-365U

COOLING: FAN COOLED

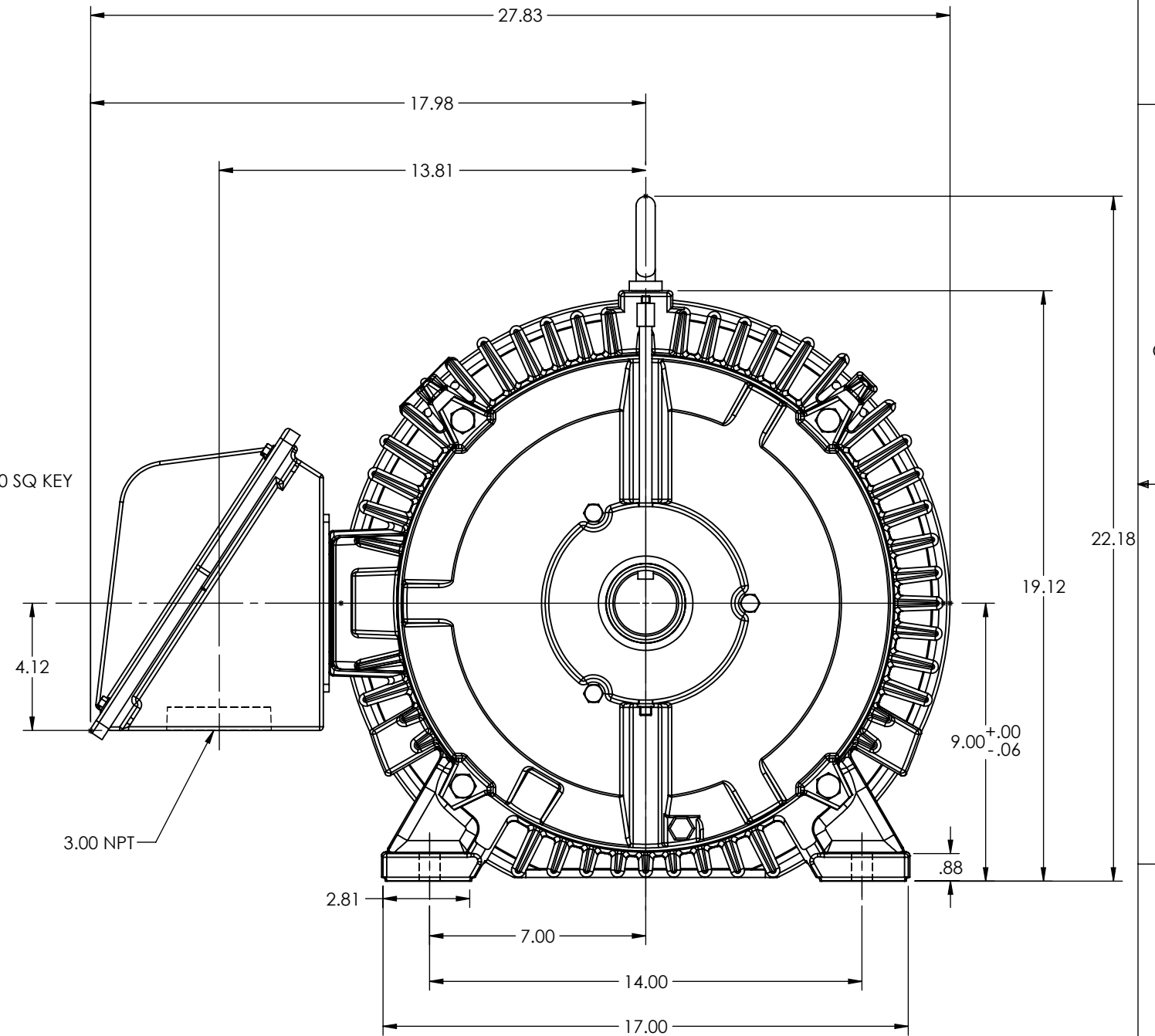
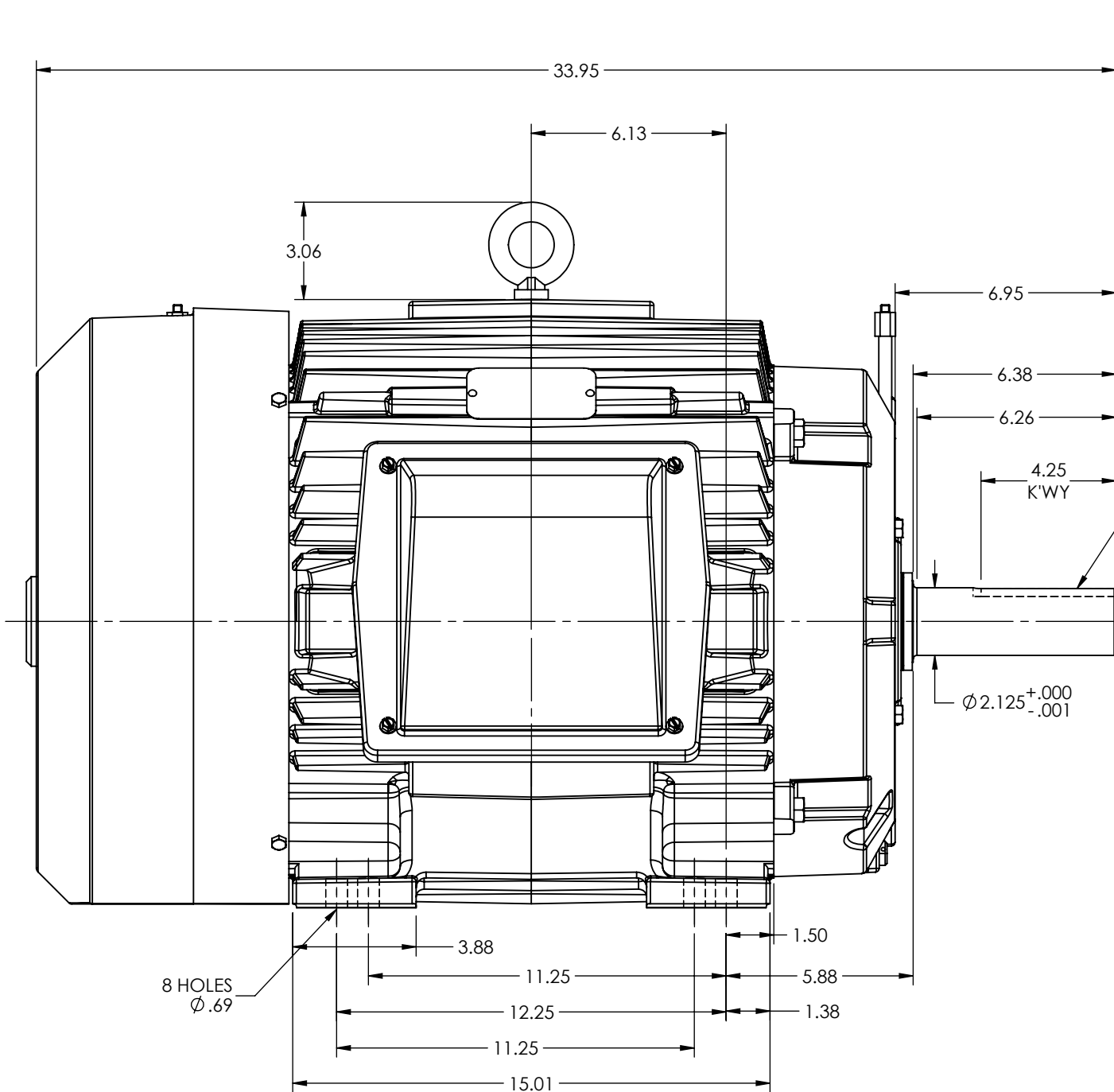
617428-014

D

C

B

A



D

C

B

A

MAXIMUM PERMISSIBLE SHAFT RUNOUT WHEN MEASURED AT END OF STD. SHAFT EXTENSION IS .002 T.I.R. UP TO AND INCLUDING 1.625 DIA. AND .003 T.I.R. 1.625 DIA. TO 5 INCH DIA.

WEIGHT (LBS): 364U = 865
365U = 890

MOTOR WEIGHTS MAY VARY BY 15% DEPENDING UPON RATING.

CUSTOMER IS RESPONSIBLE FOR DETERMINING THAT BALDOR'S PRODUCT WILL PERFORM SUITABLY IN THE INTENDED APPLICATION

REV. DESC: CHG SHAFT TO MEET "BA" REQUIREMENT OF 5.88			
REV: B	VERSION: 02	REVISED: 10:58:41 05/31/2017	TDR: 00000983755
MODEL NO. 617428-014			REF:
BY: RAGGDM			B

BALDOR

DIM SHT 364-365U, SINGLE EXT XT (611740-531)

617428-014

8

7

6

5

4

3

2

1