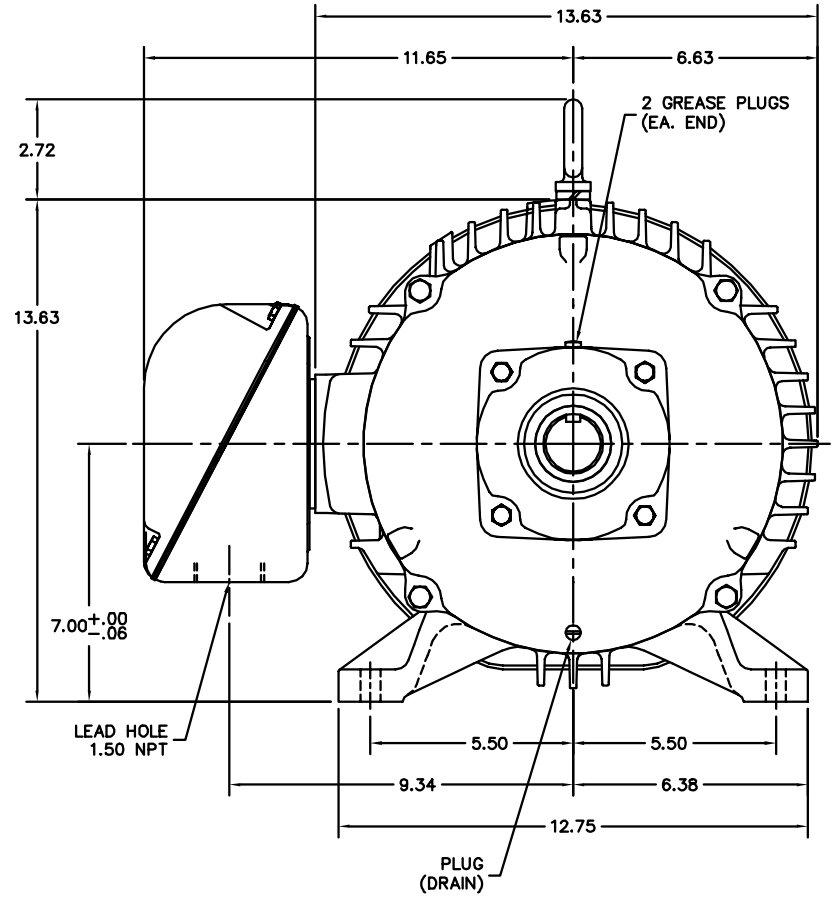
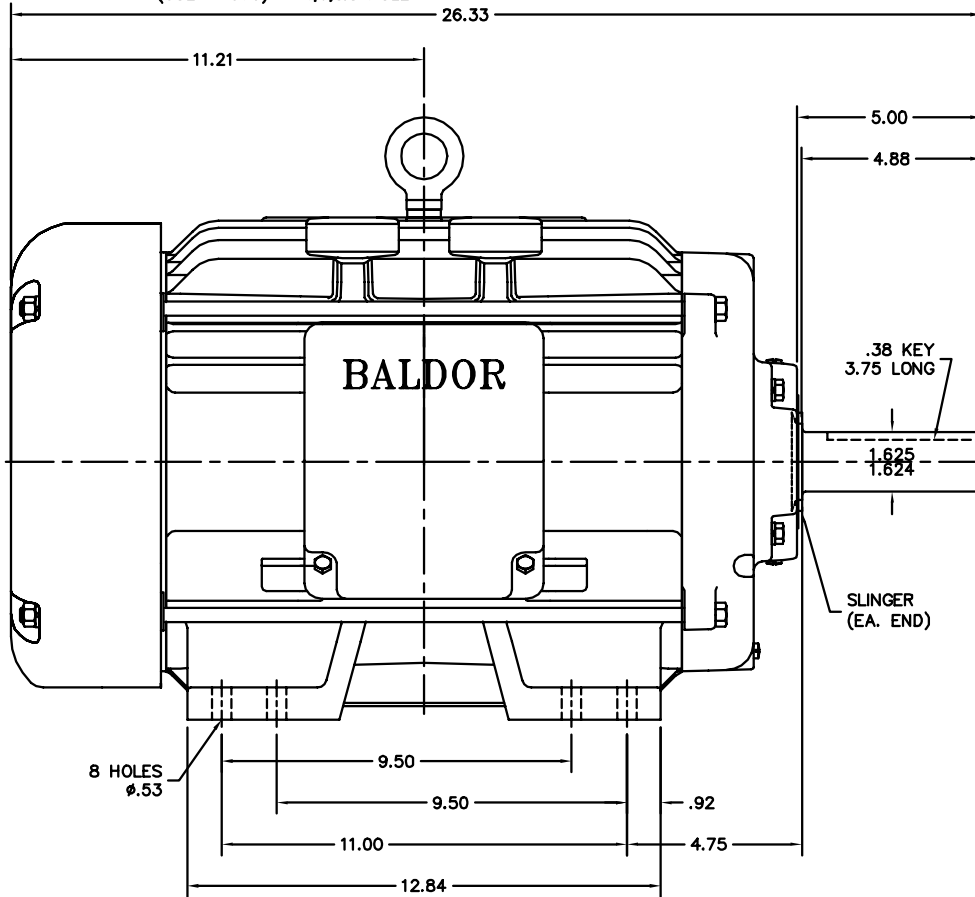


(932 - 954) = 2 POLE  
 (932 - 970) = 4,6,&8 POLE



CUSTOMER IS RESPONSIBLE FOR DETERMINING THAT BALDOR'S PRODUCT WILL PERFORM SUITABLY IN THE INTENDED APPLICATION.

REV. DESC: REMOVE LOCKNUT	VERSION: 03	TDR: 000000955506
REV. LTR: D	REVISED: 03:25:15 12/01/2015	BY: ENMARSO
FILE: \AAA\00100\568		
MTL: -		

**BALDOR**

HORZ TEFC 284-6U (GM SPECS)

SH 1 of 1