

UDC Collet System

PRECISE

Order Number	Dimensions (mm)						Figure
	ØD	ØD1	L	L1	H	h	
UDC MT4	40	63	80	124			Fig 1
UDC MT5	40	63	80	156			
UDC 2040	20	47	67	7	38		Fig 2
UDC 20540	25	47	67	7	38		
UDC 3240	32	47	67	7		14	
AG MT4	26		30	16	11.5		Fig 3
AG MT5	37		44	21.6	15.9		

ORDER NUMBER	CONTENTS IN KIT	QTY
UDC MT4 SET	Morse Taper Body	1
	Adjustable Tang	1
	Collets 1 x Ø20, Ø25, Ø32	3
	Regulating Valve	1
UDC MT5 SET	Morse Taper Body	1
	Adjustable Tang	1
	Collets	3
	Regulating Valve 1 Set	1

LIVETOOLS[®]
Machine Tool People.
www.livetools.com.au

sales@livetools.com.au
 +61 2 4017 0198
 115 Young Street, Carrington
 NSW 2294 Australia

Fig 1

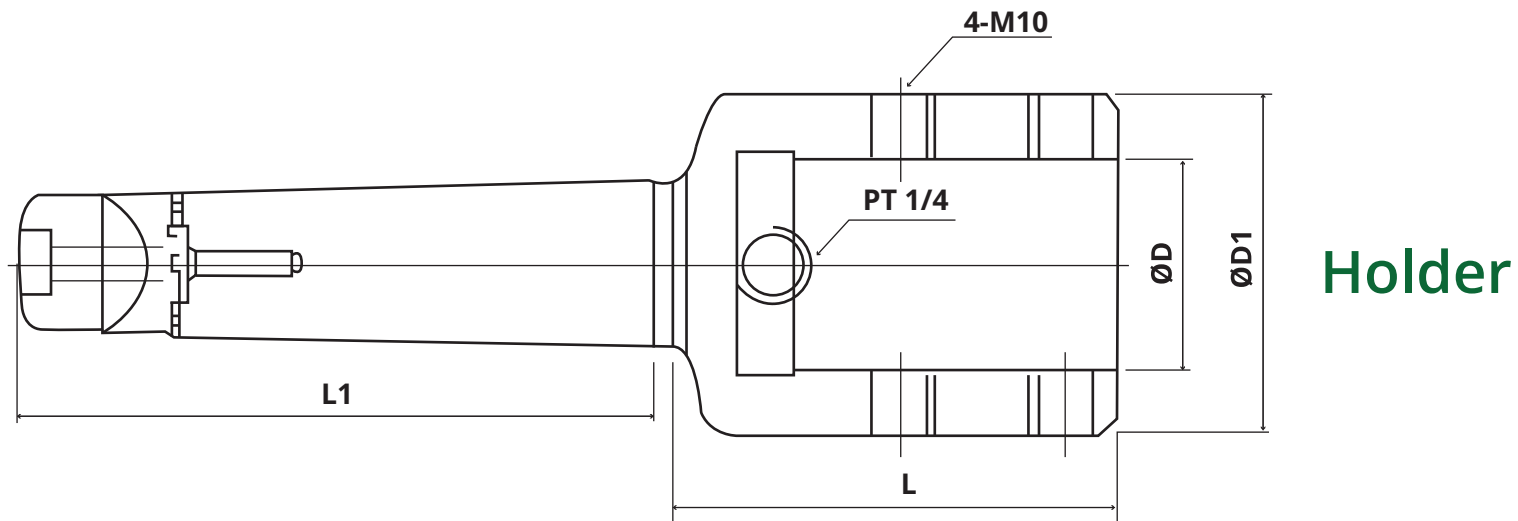


Fig 2

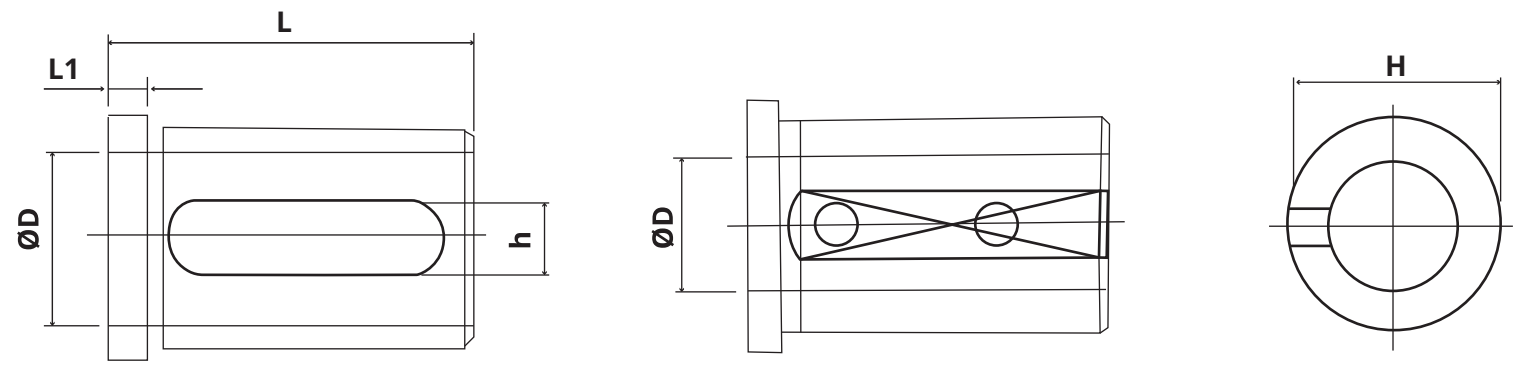


Fig 3

