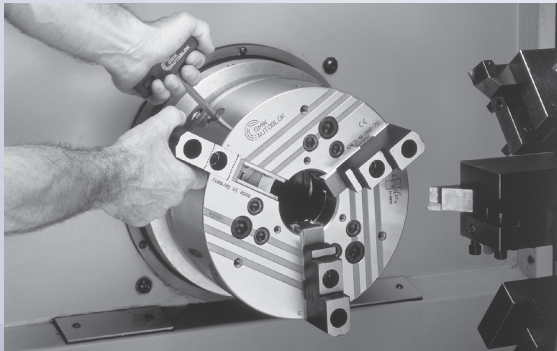


Fast changeover, fast payback:

# The original quick jaw change power chuck

## KNCS®-N



Easy lubrication even on vertical machines with 3 radial built-in grease fittings

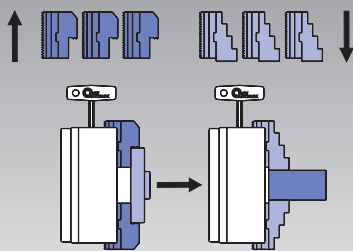
Extra long, symmetrical jaw guides. Ideal for O.D. or I.D. clamping

Unique **wedge bar drive for high speed**. Minimum loss in gripping force because of tangentially supported wedge bars. Minimum increase of gripping force (**hysteresis**) after quick spindle stop. **High efficiency** of the wedge bar drive ensures highest concentricity and **repeatability**. Suitable for **high-low clamping**

Original SMW-AUTOBLOK quick **jaw change**. **Jaw change accuracy** with patented **jaw safety interlock**

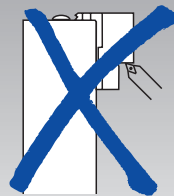
### Minimal set-up times

Jaw change in less than 1 minute

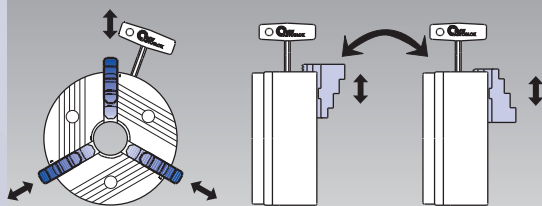


### High repeatability when changing jaws

No reboring of already machined jaws necessary, because runout < 0.02 mm (KNCS-N 210)



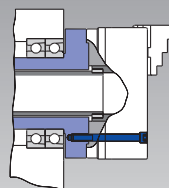
**Flexibility** jaws can be radially adjusted and are reversible = **less jaw sets**



Jaws radially adjustable

Jaws 180° reversed

### Direct mounting



Recess and bolt circle to DIN 55026

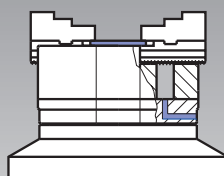
### Profitability

Example set-up times/costs

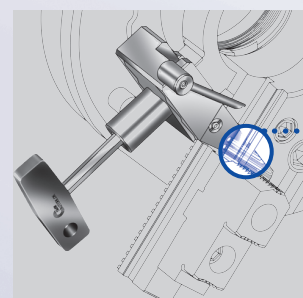
	Conventional chuck	KNCS®-N
Jaw change	10 Min.	1 Min.
Reboring of jaws	20 Min.	0 Min.
Ø jaw changes / day	2	2
Working days / year	230	230
Machine costs / hour	\$ 60.-	\$ 60.-
Total costs / year	\$ 13 800.-	\$ 460.-
<b>Profit*</b>		<b>\$ 13 340.-</b>

\* If jaws are changed more often, the profitability is increased accordingly

### Vertical application



Version for vertical application with cover and drain holes for coolant available.



If serration is not fully engaged – jaw safety interlock is active

# Clamping glossary

**Case hardening:** The surface of the components is hardened (60 HRC) to a depth of about 1 mm (0.04"). The core shows a high tensile strength and toughness. Compared to partial inductive hardened and nitrided parts the rigidity and the resistance against wear is greatly increased.

**Efficiency:** The ratio between the calculated theoretical gripping force (disregarding friction) and the actual (measured) gripping force.

**High-low clamping:** For easily deformable components. High gripping forces for the rough cut are reduced to low gripping forces for the finish cut without unchucking. This means less deformation on the finished components. Contrarily to wedge hook chucks the **KNCS-N** wedge bar drive is suitable for high-low clamping.

**Hysteresis:** At high speeds the chuck body "grows" due to centrifugal force. The draw-pull of the clamping cylinder causes an increase in gripping force which cannot be decreased at a quick spindle stop (or change in speed). This can cause deformation at easily deformed parts. **KNCS-N** chucks with wedge bar drive have a very low hysteresis.

**Jaw change accuracy:** The centering accuracy after a jaw change with once already bored/ground jaws on the chuck. The clamping force on the **KNCS-N** is transmitted via the wedge bar drive.

The engaging / disengaging of the jaws is done by an additional tangential movement of the wedge bars. This proven and patented design with

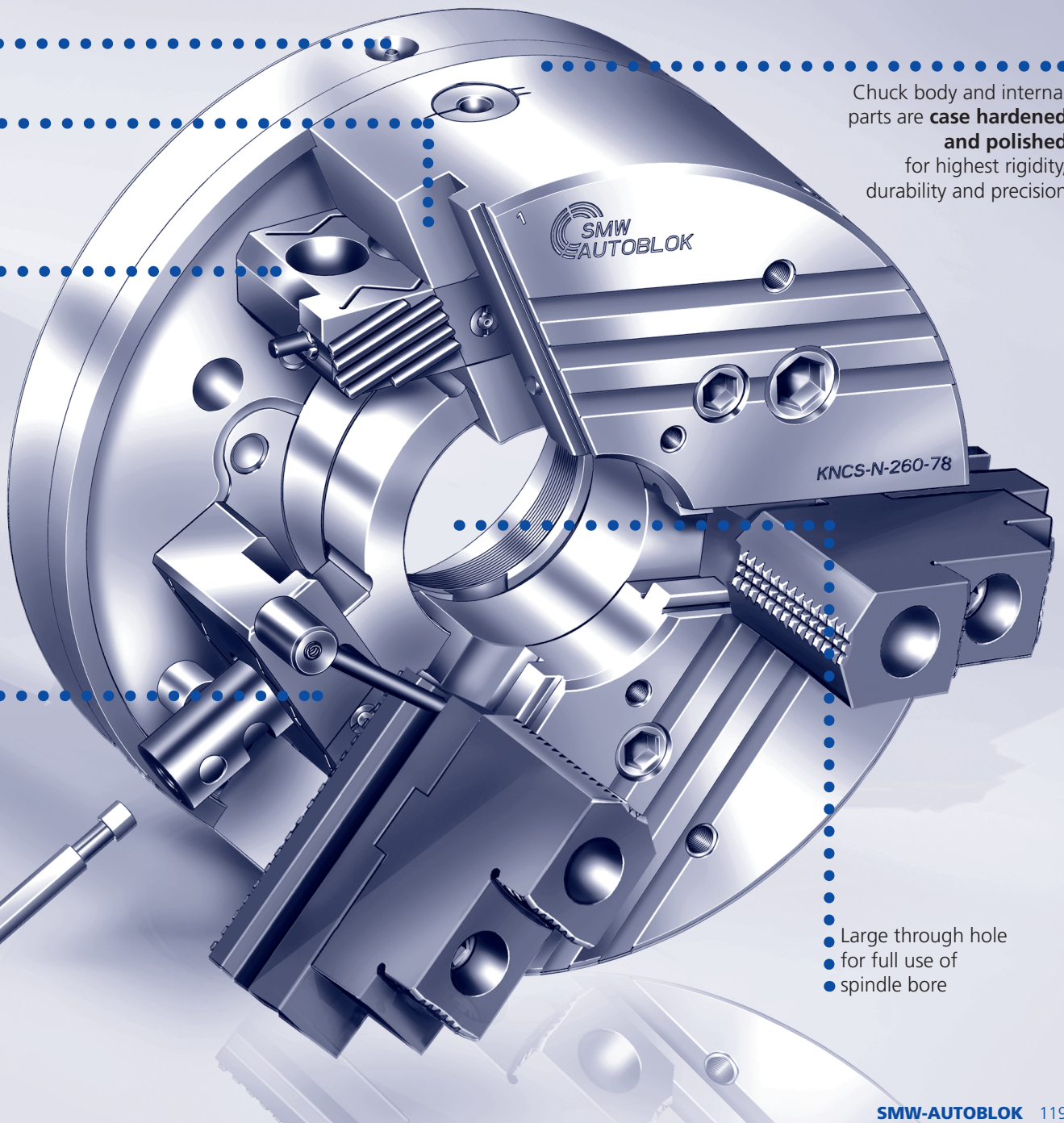
self-acting cleaning of the serration offers a constant high jaw change accuracy after jaw changing.

**Jaw safety interlock:** At quick jaw change chucks the transmission of the gripping force to the interchangeable clamping jaws is done via a serration. With existing chuck designs misoperation by the operator can cause danger to man and machine if the jaw is not inserted correctly i.e. the serration is not fully engaged.

The **KNCS-N** is equipped with a unique safety interlock: The built-in safety interlock eliminates misoperation.

**Repeatability:** The centering accuracy of the chuck equipped with one set of jaws starting from the first up to the last component of a batch. Due to the wedge bar drive **KNCS-N** chucks offer a much higher repeatability compared to wedge hook chucks.

**Wedge bar drive:** The chuck is driven by tangentially mounted wedge bars. This design allows highest repeatability and rigidity. These chucks have very low loss in gripping force due to centrifugal force. The design does not require counterbalance weights which allows highest speeds without vibration.

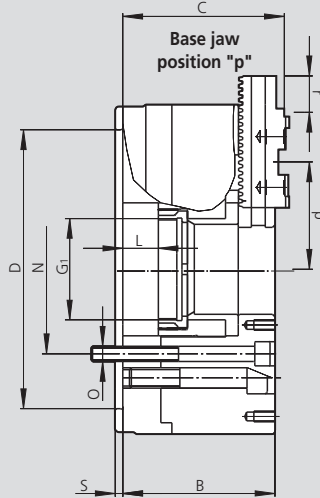
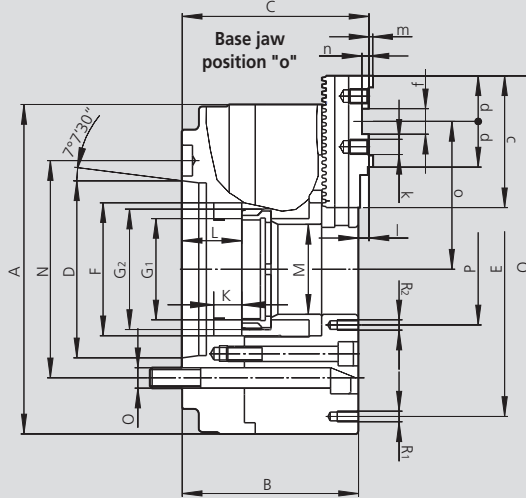
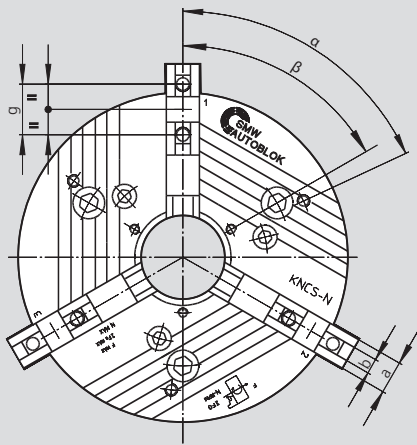


Chuck body and internal parts are **case hardened and polished** for highest rigidity, durability and precision

- Large through hole
- for full use of spindle bore



Jaw position: open position for external clamping



Subject to technical changes.  
For more detailed information please ask our customer service.

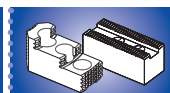
Type KNCS-N	140-35		170-43			210-52			225-66			260-78				275-86			
Mounting	Size	Z120	A5	Z140	A5	A6	Z170	A6	A8	Z170	A6	A8	Z170	Z220	A6	A8	Z220	A6*	A8
	<b>A</b>	145		175			215			225			260				275		
	<b>B</b>	87	103	98	113	115	105	122	124	105	122	124	120	120	137	139	120	144	139
	<b>C</b>	93.9	109.9	104.9	119.9	121.9	109.9	126.9	128.9	109.9	126.9	128.9	128.3	128.3	145.3	147.3	128.3	152.3	147.3
	<b>D H6</b>	120	82.57	140	82.57	106.39	170	106.39	139.73	170	106.39	139.73	170	220	106.39	139.73	220	106.39	139.73
	<b>E</b>	122		152			168			180			210				210		
	<b>F</b>	52		67			85			95			111				122		
Rotating ring nut / depth	<b>G1</b>	- **		M50 x 1.5 / 18**			M60 x 1.5 / 16			M75 x 1.5 / 16			M90 x 2 / 20				M95 x 2 / 20		
Piston thread / depth	<b>G2</b>	M45 x 1.5 / 18		M60 x 1.5 / 18			M75 x 2 / 19			M85 x 2 / 19			M102 x 2 / 23				M110 x 2 / 23		
Piston stroke	<b>K</b>	20		20 / 25			22 / 25			22 / 25			25 / 28				25 / 28		
Max.	<b>L</b>	20	36	25	40	42	25	42	44	25	42	44	28	28	45	47	28	52	47
	<b>M</b>	35		43			52			66			78				86		
Fixing bolt circle	<b>N</b>	104.8	104.8	104.8	104.8	133.4	133.4	133.4	171.4	133.4	133.4	171.4	133.4	171.4	133.4	171.4	171.4	133.4	171.4
Fixing bolt	<b>O</b>	M10	M10	M10	M10	M12	M12	M16	M12	M12	M16	M12	M16	M12	M16	M16	M16	M12	M16
	<b>P</b>	65		75			72			82			95				105		
	<b>Q</b>	166		195			261			271			307				321		
Thread / thread depth	<b>R1</b>	M8 / 12		M8 / 12			M10 / 12			M10 / 12			M10 / 12				M10 / 18		
Thread / thread depth	<b>R2</b>	M5 / 10		M5 / 10			M6 / 10			M6 / 10			M8 / 16				M8 / 14		
	<b>S</b>	6		6			6			6			6				6		
	<b>a</b>	20		20			22			22			26				26		
	<b>b f7</b>	8		8			10			10			12				12		
	<b>c</b>	56		65			85			85			104				104		
	<b>d</b>	28		28			33			33			36				36		
	<b>f H7</b>	18		18			20			20			20				20		
	<b>g</b>	32		32			40			40			40				40		
Thread / thread depth	<b>k</b>	M8 / 12		M8 / 12			M8 / 13			M8 / 13			M12 / 15				M12 / 15		
	<b>l</b>	6.9		6.9			4.9			4.9			8.3				8.3		
	<b>m</b>	2.5		2.5			2.5			2.5			3				3		
	<b>n</b>	5		5			4.5			4.5			5.5				5.5		
Max. / min.	<b>o</b>	54/39.9		69 / 50.2			96.6 / 68.3			102 / 69			116.6 / 83.6				124 / 85.5		
Max. / min.	<b>p</b>	54/39.9		60 / 41.2			77.6 / 49.3			83 / 50			84.6 / 51.6				92 / 53.5		
Base jaw tooth pitch	-	4.7		4.7			4.7			4.7			5.5				5.5		
Base jaw offset	<b>r</b>	14.1		18.8			28.3			33			33				38.5		
Base jaw offset	teeth	3		4			6			7			6				7		
	<b>α</b>	deg. 95		deg. 90			deg. 60			deg. 60			deg. 60				deg. 60		
	<b>β</b>	deg. 60		deg. 60			deg. 60			deg. 60			deg. 60				deg. 60		
Stroke per jaw at piston stroke <b>K</b>	mm			5.1			6.0			6.0			7.0				7.0		
Stroke per jaw at piston stroke <b>K</b> max.	mm	5.1	20	6.8	25	20	7.0	25	22	7.0	25	22	8.0	25	28	25	8.0	28	25
Max. actuating force 3-jaw chuck	kN	25		32			53			53			70				70		
Max. total gripping force 3-jaw chuck	kN	47		60			100			100			135				135		
Max. speed 3-jaw chuck	r.p.m.	6500		6300			6000			5500			4700				4700		
Weight without jaws	kg	9	9.6	14	15	15	24	26	26	26	29	29	40	40	43	43	48	53	50.7
Moment of inertia	kg·m <sup>2</sup>	0.024		0.06			0.11			0.2			0.38				0.41		
Rec. closed center cyl.	Type	SIN-S 100		SIN-S 100 / 125			SIN-S 125 / 150			SIN-S 125 / 150			SIN-S 150 / 175				SIN-S 150 / 175		
Rec. open center cyl.	Type	VNK-T2 70-32		VNK-T2 102-46			VNK-T2 130-52			VNK-T2 150-67			VNK-T2 170-77				VNK-T2 225-95		

\* Indirect mounting.

\*\* KNCS-N 140-35 and KNCS-N 170-43 are available with fixed ring nut only.



SMW-AUTOBLOK  
438



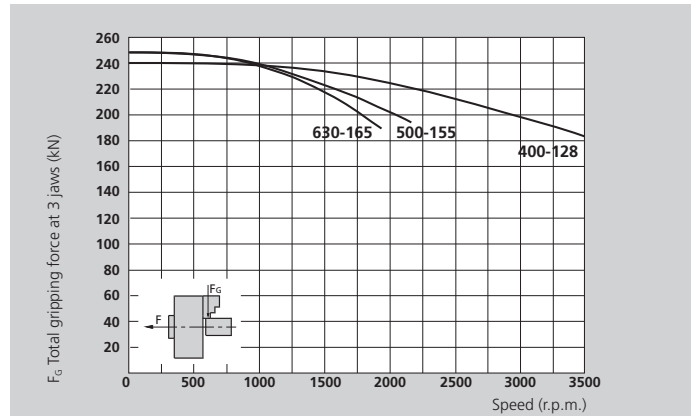
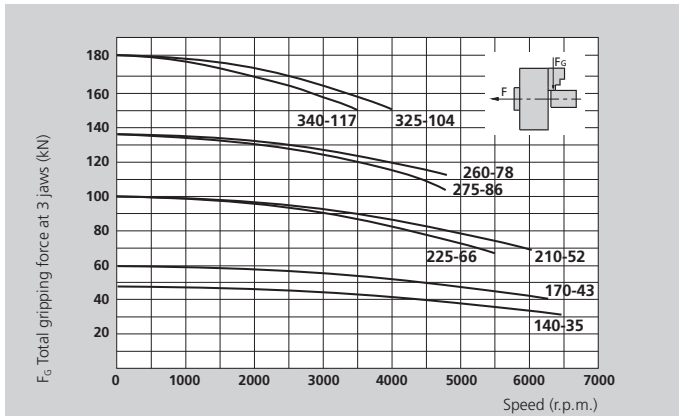
SMW-AUTOBLOK  
123



SMW-AUTOBLOK  
297

### Main dimensions and technical data

### For highest speeds: flat gripping force curve



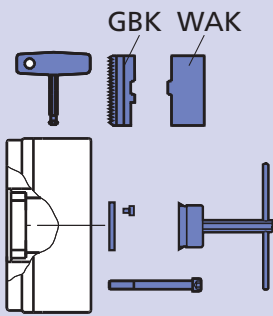
The data in the diagrams refer to 3 jaw chucks, newly maintained according to their service manuals using SMW-AUTOBLOK K05 grease. The static and dynamic gripping forces have been measured using standard soft top jaws, placed in a position not exceeding the outer diameter of the chuck.

#### ⚠ Safety advice / danger of damage:

When using taller / heavier jaws and / or clamping on a bigger diameter reduce draw pull / rotating speed accordingly.

Type KNCS-N		325-104				340-117			400-128				500-155				630-165	
Mounting	Size	Z220	Z300	A8	A11	Z300	A8*	A11	Z300	Z380	A11	A15	Z300	Z380	A11	A15	Z380	A15
	<b>A</b>	324				340			400				500				630	
	<b>B</b>	130	130	149	151	130	160	151	140	140	161	163	174	174	195	197	174	197
	<b>C</b>	139.2	139.2	158.2	160.2	139.3	169.3	160.4	149.2	149.2	170.2	172.2	184	184	205	207	184	207
	<b>D H6</b>	220	300	139.73	196.88	300	139.73	196.88	300	380	196.88	285.77	300	380	196.88	285.77	380	285.77
	<b>E</b>	268				270			330				420				585	
	<b>F</b>	144				160			180				207				217	
Rotating ring nut / depth	<b>G1</b>	M115 x 2 / 22				M125 x 2 / 22			M138 x 2 / 22				M165 x 2 / 25				M175 x 2 / 25	
Piston thread / depth	<b>G2</b>	M132 x 2 / 25				M146 x 2 / 25			M160 x 2 / 25				M185 x 2 / 28				M195 x 2 / 28	
Piston stroke	<b>K</b>	25/28				25/28			32				42				42	
Max.	<b>L</b>	28	28	47	49	28	58	49	32	32	53	55	42	42	63	65	42	65
	<b>M</b>	104				117			128				155				165	
Fixing bolt circle	<b>N</b>	171.4	235	171.4	235	235	171.4	235	235	330.2	235	330.2	235	330.2	235	330.2	330.2	330.2
Fixing bolt	<b>O</b>	M16	M20	M16	M20	M20	M16	M20	M20	M24	M20	M24	M20	M24	M20	M24	M24	M24
	<b>P</b>	130				140			152				180				195	
	<b>Q</b>	385				400			452				552				643	
Thread / thread depth	<b>R1</b>	M10 / 16				M10 / 16			M12 / 18				M16 / 25				M16 / 25	
Thread / thread depth	<b>R2</b>	M10 / 16				M10 / 16			M12 / 18				M12 / 18				M12 / 18	
	<b>S</b>	6				6			8				8				8	
	<b>a</b>	32				32			32				45				45	
	<b>b f7</b>	12				12			12				18				18	
	<b>c</b>	115				115			125				160				200	
	<b>d</b>	36				36			43				50				50	
	<b>f H7</b>	20				20			26				30				30	
	<b>g</b>	40				40			54				60				60	
Thread / thread depth	<b>k</b>	M12 / 17				M12 / 17			M12 / 17				M16 / 34				M16 / 34	
	<b>l</b>	9.3				9.3			9.3				10				10	
	<b>m</b>	3				3			3				4				4	
	<b>n</b>	6				6			7				9				9	
Max. / min.	<b>o</b>	155.7 / 106.2				163.2 / 113.7			182.3 / 121.8				225 / 141				270.5 / 179.5	
Max. / min.	<b>p</b>	111.7 / 62.2				119.2 / 69.7			143.3 / 82.2				164 / 80				170.5 / 79.5	
Base jaw tooth pitch	-	5.5				5.5			5.5				7				7	
Base jaw offset	<b>r</b>	49.5				49.5			60.5				84				91	
Base jaw offset	teeth	9				9			11				12				13	
$\alpha$	deg.	60 / 35				60 / 35			20 / 9 x 40				20 / 9 x 40				20 / 9 x 40	
$\beta$	deg.	60 / 35				60 / 35			20 / 9 x 40				20 / 9 x 40				20 / 9 x 40	
Stroke per jaw at piston stroke <b>K</b>	mm	7.0				7.0												
Stroke per jaw at piston stroke <b>K</b> max.	mm	8.0				8.0			8.0				10.0				10.0	
Max. actuating force 3-jaw chuck	kN	95				95			115				120				120	
Max. total gripping force 3-jaw chuck	kN	180				180			240				250				250	
Max. speed 3-jaw chuck	r.p.m.	4000				3500			3500				2200				1700	
Weight without jaws	kg	65	65	68	68	77	88.5	82.5	111	111	116	116	225	225	231	231	390	398
Moment of inertia	kg·m <sup>2</sup>	1.2				1.24			2.5				6.5				18	
Rec. closed center cyl.	Type	SIN-S 150 / 175 / 200				SIN-S 150 / 175 / 200			SIN-S 175 / 200				SIN-S 175 / 200				SIN-S 175 / 200	
Rec. open center cyl.	Type	VNK-T2 250-110				VNK-T2 320-127			VNK-T2 320-127				VSG 450-165				VSG 450-165	

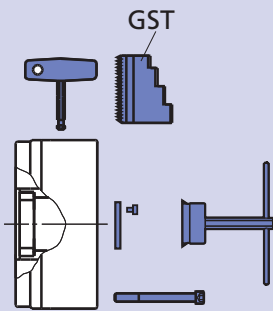
\* Indirect mounting.



### Supply range:

Chuck + key + mounting bolts + mounting key (from diameter 210)  
+ 1 set hardened base jaws type GBK + 1 set soft top jaws type WAK  
+ 1 set of coverplates

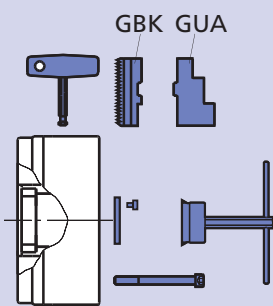
Spindle mounting	Size	KNCS-N 140-35	KNCS-N 170-43	KNCS-N 210-52	KNCS-N 225-66	KNCS-N 260-78	KNCS-N 275-86	KNCS-N 325-104	KNCS-N 340-117	KNCS-N 400-128	KNCS-N 500-155	KNCS-N 630-165
Centering rim small						Z 170 088900		Z 220 088912		Z 300 088822	Z 300 088889	
Centering rim large		Z 120 088800	Z 140 088802	Z 170 088806	Z 170 088809	Z 220 088901	Z 220 067910	Z 300 088913	Z 300 067920	Z 380 088823	Z 380 088826	Z 380 088829
A 05			088803									
A 06			088804	088807	088810	088902	067911					
A 08				088808	088811	088903	067912	088914	067921			
A 11								088915	067922	088824	088827	
A 15										088825	088828	088830



### Supply range:

Chuck + key + mounting bolts + mounting key (from diameter 210)  
+ 1 set hardened, reversible stepped monoblock jaws type GST, ground on chuck  
+ 1 set of coverplates

Spindle mounting	Size	KNCS-N 140-35	KNCS-N 170-43	KNCS-N 210-52	KNCS-N 225-66	KNCS-N 260-78	KNCS-N 275-86	KNCS-N 325-104	KNCS-N 340-117	KNCS-N 400-128	KNCS-N 500-155	KNCS-N 630-165
Centering rim small						Z 170 088904		Z 220 088916		Z 300 088850	Z 300 088859	
Centering rim large		Z 120 088831	Z 140 088833	Z 170 088836	Z 170 088839	Z 220 088905	Z 220 067913	Z 300 088917	Z 300 067923	Z 380 088851	Z 380 088854	Z 380 088857
A 05			088832									
A 06			088835	088837	088840	088906	067914					
A 08				088838	088841	088907	067915	088918	067924			
A 11								088919	067925	088852	088855	
A 15										088853	088856	088858



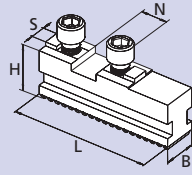
### Supply range:

Chuck + key + mounting bolts + mounting key (from diameter 210)  
+ 1 set hardened base jaws type GBK  
+ 1 set hardened, reversible top jaws type GUA ground on chuck  
+ 1 set of coverplates

Spindle mounting	Size	KNCS-N 140-35	KNCS-N 170-43	KNCS-N 210-52	KNCS-N 225-66	KNCS-N 260-78	KNCS-N 275-86	KNCS-N 325-104	KNCS-N 340-117	KNCS-N 400-128	KNCS-N 500-155	KNCS-N 630-165
Centering rim small						Z 170 088908		Z 220 088920		Z 300 088879	Z 300 088888	
Centering rim large		Z 120 088860	Z 140 088862	Z 170 088865	Z 170 088868	Z 220 088909	Z 220 067916	Z 300 088921	Z 300 067926	Z 380 088880	Z 380 088883	Z 380 088886
A 05			088861									
A 06			088864	088866	088869	088910	067917					
A 08				088867	088870	088911	067918	088922	067927			
A 11								088923	067928	088881	088884	
A 15										088882	088885	088887

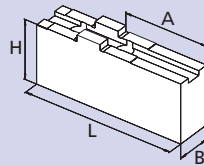
## Base jaws and top jaws

### GBK Hardened base jaws



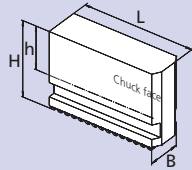
KNCS-N	140	170	210	225	260	275	325	340	400	500	630
Jaw type	GBK 140	GBK 160	GBK 200	GBK 200	GBK 250	GBK 250	GBK 315	GBK 315	GBK 400	GBK 500	GBK 630
Id. No.	012438	012439	012440	012440	012441	012441	012442	012442	012443	012444	012445
B	20	20	22	22	26	26	32	32	32	45	45
H	27.5	27.5	29.5	29.5	37	37	43	43	43	57	57
L	56	65	85	85	104	104	115	115	125	160	200
N	18	18	20	20	20	20	20	20	26	30	30
S	8	8	10	10	12	12	12	12	12	18	18
kg / set	0.6	0.7	1.0	1.0	1.8	1.8	2.7	2.7	3.0	7.1	9.0

### WAK Soft top jaws



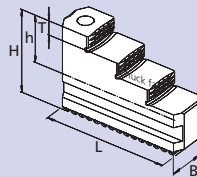
KNCS-N	140	170	210	225	260	275	325	340	400	500	630
Jaw type	WAK 140-10	WAK 160-10	WAK 200-10	WAK 200-10	WAK 250-10	WAK 250-10	WAK 250-10	WAK 250-10	WAK 400-10	WAK 500-10	WAK 500-10
Id. No.	012490	012491	012492	012492	012493	012493	012493	012493	012494	012495	012495
B	20	20	22	22	30	30	30	30	35	50	50
H	35.5	35.5	42	42	50	50	50	50	54	73	73
L	69	85	105	105	125	125	125	125	145	180	180
A	26	42	50	50	70	70	70	70	74	100	100
kg / set	0.9	1.2	2.0	2.0	3.6	3.6	3.6	3.6	5.8	13.7	13.7

### UVB Soft monoblock jaws

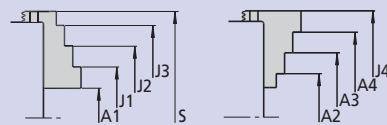


KNCS-N	140	170	210	225	260	275	325	340	400	500	630
Jaw type	UVB 140	UVB 160	UVB 200	UVB 200	UVB 250	UVB 250	UVB 315	UVB 315	UVB 400	UVB 500	UVB 630
Id. No.	012446	012447	012448	012448	012449	012449	012450	012450	012451	012452	012453
B	20	20	22	22	26	26	32	32	32	45	45
H	60	60	70	70	90	90	100	100	100	134	134
h	39.4	39.4	45	45	61	61	66	66	66	87	87
L	59.5	69	83	83	108	108	119	119	146.5	175	230
kg / set	1.5	1.8	2.8	2.8	5.5	5.5	8.2	8.2	10	23	30

### GST Hardened stepped monoblock jaws



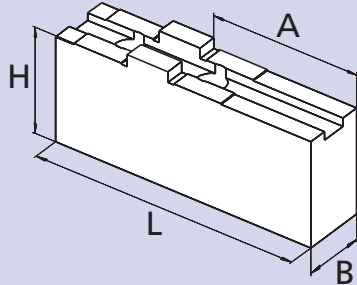
#### Gripping ranges



KNCS-N	140	170	210	225	260	275	325	340	400	500	630
Jaw type	GST 160-2	GST 170	GST 210	GST 210	GST 260	GST 260	GST 315	GST 315	GST 400	GST 500	GST 500
Id. No.	012454	035867	035863	035863	037623	037623	012457	012457	012458	012459	012459
B	20	20	22	22	26	26	32	32	32	45	45
H	43.5	43.5	51	51	60	60	66	66	70	93	93
h	23	23	26	26	31	31	32	32	36	46	46
L	58	65	84	84	100	100	117	117	137	175	175
T	7	7	8	8	10	10	10	10	11	20	20
kg / set	0.6	0.7	1.3	1.3	1.9	1.9	3.4	3.4	4.4	11.7	11.7
A1	5-40	6-59	10-85	12-96	10-98	14-113	37-148	46-141	48-173	70-225	38-220
A2	35-70	42-89	56-121	57-132	62-150	66-165	104-215	111-206	116-238	170-320	133-328
A3	66-101	73-120	96-161	97-172	111-200	115-215	160-271	166-261	184-308	315-470	276-458
A4	97-132	104-151	136-201	137-212	161-250	165-265	217-328	221-316	252-378	-	-
J1	39-72	44-78	60-134	62-144	63-149	67-164	91-202	106-196	118-243	-	-
J2	69-103	74-110	100-174	101-185	112-199	116-214	148-259	161-251	186-310	180-330	149-342
J3	99-134	105-141	140-214	141-225	161-249	165-264	205-316	216-308	253-378	325-475	297-492
J4	131-163	135-182	185-250	186-261	212-300	216-315	272-383	281-376	328-448	425-560	385-581
S	166	198	255	266	303	318	385	376	456	585	-

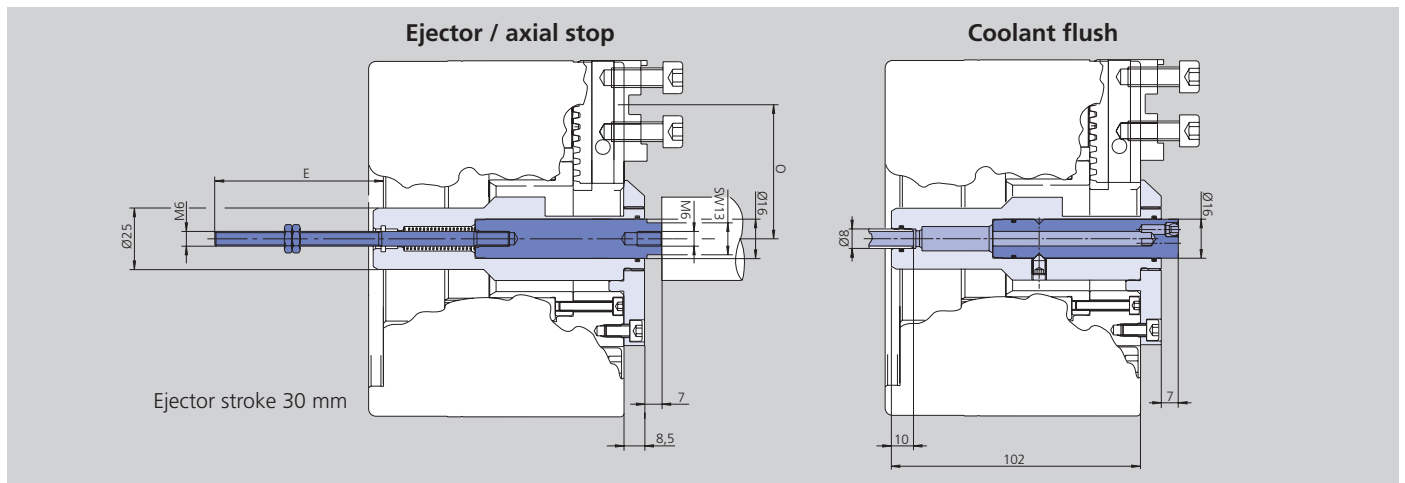
## WAKS

Soft top jaws  
Wide version



Type	Id. No.	B	H	L	A	kg / set	SMW-AUTOBLOK Chuck type
WAKS 140-10	012496	35	35.5	63	25	1.5	KNCS-N 140
WAKS 160-10	080931	25	45.5	85	42	1.8	KNCS-N 170
WAKS 160-20	080932	30	50.5	75	35	2.2	
WAKS 160-30	080933	35	75.5	70	26	3.4	
WAKS 200-10	080934	30	51	100	57	2.9	KNCS-N 210
WAKS 200-20	080935	30	66	100	45	3.4	KNCS-N 225
WAKS 200-30	012497	40	36	70	27	1.9	KNCS-N 260 KNCS-N 275 KNCS-N 325 KNCS-N 340
WAKS 200-31	080936	40	56	85	43	3.9	
WAKS 200-32	036733	40	76	95	52	5.8	
WAKS 250-10	080937	40	55	125	70	3.9	
WAKS 250-11	080938	40	75	125	70	7.5	
WAKS 250-12	080939	40	95	125	70	9.6	
WAKS 250-13	080940	40	115	125	70	11.5	
WAKS 250-20	012498	60	55	90	44	6.2	
WAKS 250-21	080942	60	55	110	60	7.6	
WAKS 250-22	080943	60	75	90	44	9.4	
WAKS 250-23	080944	60	75	110	60	11.5	
WAKS 250-30	012499	80	55	90	44	8.5	
WAKS 250-31	080945	80	75	110	60	14.1	
WAKS 400-10	080946	40	54	110	54	4.9	KNCS-N 400
WAKS 400-11	080947	40	54	145	89	6.7	
WAKS 400-12	080948	40	94	145	89	11.1	
WAKS 400-13	080949	40	114	145	89	13.5	
WAKS 400-14	080950	40	146	145	89	16.9	
WAKS 400-20	080951	60	54	110	54	7.6	
WAKS 400-21	080952	60	74	110	54	10.3	
WAKS 400-22	080953	60	94	110	54	14.1	
WAKS 400-30	012500	80	64	100	44	11.0	
WAKS 500-10	080954	60	73	155	90	13.8	
WAKS 500-12	080956	60	113	155	90	19.5	
WAKS 500-20	080957	80	73	155	90	15.5	
WAKS 500-21	080958	80	93	155	90	26.3	
WAKS 500-30	012501	90	73	130	65	16.4	
WAKS 500-31	012502	100	73	150	85	20.0	

## Accessories for KNCS-N / KNCS-NB chucks



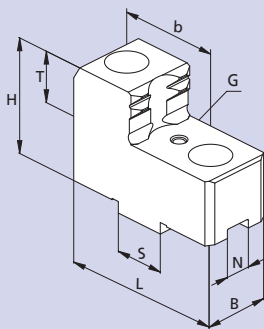
## Technical data

SMW-AUTOBLOK Type		KNCS-N 170-43	KNCS-N 210-52	KNCS-N 225-66	KNCS-N 260-78	KNCS-N 275-86
			KNCS-NB 210-52	KNCS-NB 225-66	KNCS-NB 260-78	KNCS-NB 275-86
Ejector	E	mm	68.5	61.5	61.5	46.5
Ejector	min. / max.	O mm	69	68.3 / 77.8	73.7 / 83.1	88.6 / 105.1
Ejector / axial flush		Id. No.	174140	174142	273530	274140
Coolant flush basic kit	min. / max.	O mm	69	68.3 / 77.8	73.7 / 83.1	88.6 / 105.1
Coolant flush basic kit		Id. No.	175001	175002	273531	274141
Coolant flush premium kit	min. / max.	O mm	59.6 / 69	68.3 / 96.6	73.8 / 120	89.1 / 116.6
Coolant flush premium kit		Id. No.	176021	176022	273532	274142

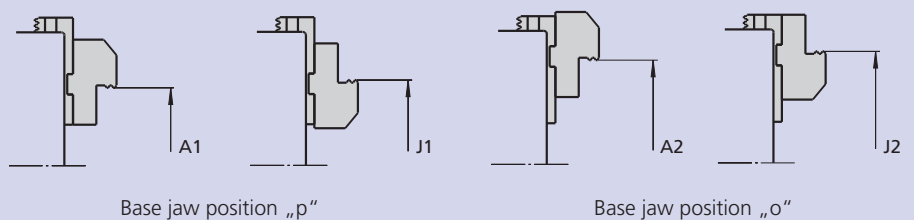
- Hard roughing top jaws
- Stop pins

Type	Id. No.	B	H	T	G	N	S	b	L	kg / set	SMW-AUTOBLOK Chuck type	Clamping range Ø		Clamping range Ø			
												external A <sub>1</sub>	internal J <sub>1</sub>	external A <sub>2</sub>	internal J <sub>2</sub>		
GGK 1751	012464	25	40	16	M5	8	18	32	64	0.91	KNCS-N 140	25-53	125-162	-	-		
GGK 1752	012465											36-56	128-168	-	-		
GGK 1753	012466											55-81	101-135	-	-		
GGK 1754	012467											80-105	75-109	-	-		
GGK 1751	012464	25	40	16	M5	8	18	32	64	0.91	KNCS-N 170	25-62	133-171	33-80	155-190		
GGK 1752	012465											32-61	134-172	42-79	153-181		
GGK 1753	012466											52-89	107-145	70-107	125-163		
GGK 1754	012467											77-115	81-118	95-133	99-137		
GGK 2001	012469	28	45	20	M5	10	20	40	88	1.52	KNCS-N 210	29-59	187-252	36-87	-		
GGK 2002	012470											57-122	121-186	94-150	158-215		
GGK 2003	012471											66	1.19	93-149	85-140	131-187	122-178
GGK 2004	012472											87	1.39	152-208	62-100	189-246	72-137
GGK 2001	012469	28	45	20	M5	10	20	40	88	1.52	KNCS-N 225	30-69	-	45-106	-		
GGK 2002	012470											67-132	131-197	105-170	169-235		
GGK 2003	012471											66	1.19	104-169	95-160	141-207	134-199
GGK 2004	012472											87	1.39	150-216	68-110	190-255	74-148
GGK 2501	012473	40	50	22	M6	12	20	40	94	2.38	KNCS-N 260	45-85	197-274	61-148	254-342		
GGK 2502	012474											72	2.08	78-154	132-208	141-218	195-272
GGK 2503	012475											78	2.19	107-184	109-175	159-247	152-238
GGK 2504	012476											110	2.88	-	-	-	80-156
GGK 2501	012473	40	50	22	M6	12	20	40	94	2.38	KNCS-N 275	49-100	201-289	65-163	258-357		
GGK 2502	012474											72	2.08	82-169	136-223	145-233	199-287
GGK 2503	012475											78	2.19	111-199	113-190	163-262	156-253
GGK 2504	012476											110	2.88	-	-	-	84-171
GGK 2501	012473	40	50	22	M6	12	20	40	94	2.38	KNCS-N 325	40-126	207-320	104-214	295-406		
GGK 2502	012474											72	2.08	86-196	138-248	173-284	225-336
GGK 2503	012475											78	2.19	115-226	109-218	203-314	196-306
GGK 2505	012477											98	2.49	197-285	78-164	261-371	139-249
GGK 2501	012473	40	50	22	M6	12	20	40	94	2.38	KNCS-N 340	60-126	236-326	-	326-396		
GGK 2502	012474											72	2.08	116-201	-	196-288	-
GGK 2503	012475											78	2.19	-	136-236	232-318	-
GGK 2504	012476											110	2.88	-	108-186	-	-
GGK 4001	012478	50	55	25	M8	12	26	54	104	4.01	KNCS-N 400	78-188	258-378	143-263	333-453		
GGK 4002	012479											91	3.58	-	140-263	258-378	-
GGK 4003	012480											147	5.50	-	118-243	-	-
GGK 5001	012481	60	74	35	M8	18	30	60	125	7.58	KNCS-N 500	100-210	280-420	210-350	415-560		
GGK 5002	012482											-	155-295	330-470	-		
GGK 5003	012483											-	100-240	-	-		
GGK 5001	012481	60	74	35	M8	18	30	60	125	7.58	KNCS-N 630	80-240	265-450	240-440	460-650		
GGK 5002	012482											-	140-320	380-560	-		

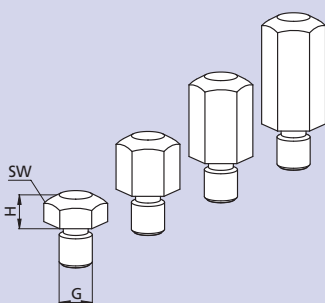
## GGK Hard roughing jaw



## GGK Clamping ranges



## ALB Stop pins

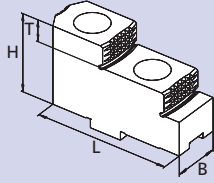


SMW-AUTOBLOK Type	Id. No.	G	H	SW
ALB 505	016510	M5	5	10
ALB 510	016508		10	
ALB 515	016509		15	
ALB 605	016513	M6	5	10
ALB 610	016511		10	
ALB 615	016512		15	
ALB 620	017602		20	
ALB 805	017603	M8	5	13
ALB 810	016514		10	
ALB 815	016515		15	
ALB 820	016516		20	
ALB 825	081191		25	



## GUA

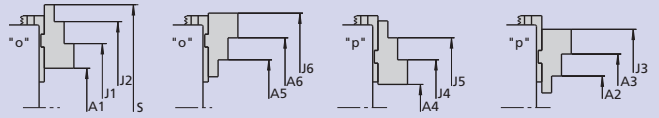
### Hardened reversible top jaws



### Gripping ranges

Base jaw position "o"

Base jaw position "p"



KNCS-N	140	170	210	225	260	275	325	340	400	500	630
Jaw type	GUA 160	GUA 160	GUA 200	GUA 200	GUA 250	GUA 250	GUA 250	GUA 250	GUA 400	GUA 500	GUA 500
Id. No.	012484	012484	012485	012485	012486	012486	012486	012486	012487	012488	012488
B	20	20	22	22	30	30	30	30	36	45	45
H	32.5	32.5	39	38	50	50	50	50	56	73	70
L	63	63	72	72	90	90	90	90	105	130	130
T	7.5	7.5	10	10	14	14	14	14	15	20	20
kg / set	0.6	0.6	0.8	0.8	1.9	1.9	1.9	1.9	3.2	10.8	10.8
A1	17-42	32-69	55-111	65-131	73-150	77-165	118-228	146-231	138-258	153-339	232-430
A2	63-89	60-98	69-125	79-145	45-90	49-105	43-143	74-146	78-188	65-209	68-224
A3	88-115	85-123	96-152	106-172	125-170	129-185	124-223	156-226	186-298	185-329	188-344
A4	17-42	13-51	17-73	27-93	20-86	24-161	30-141	62-214	60-183	31-217	34-323
A5	63-89	78-116	104-163	117-183	76-154	80-169	120-230	146-231	143-268	145-331	224-422
A6	88-115	103-141	131-190	144-210	156-234	160-249	200-310	231-311	253-378	265-451	344-542
J1	77-101	91-129	117-174	128-194	152-229	156-244	198-308	228-311	218-338	258-444	337-535
J2	101-126	116-154	144-201	155-221	233-310	237-325	278-388	306-391	328-448	378-564	457-655
J3	146-172	144-181	158-215	169-235	204-249	208-264	202-302	234-306	263-380	290-434	293-449
J4	77-101	74-111	80-136	90-156	101-166	105-181	111-221	136-226	138-263	136-322	139-337
J5	101-126	99-136	107-163	117-183	180-246	184-261	191-301	224-306	248-373	256-442	259-457
J6	146-172	162-200	193-253	207-273	235-312	239-327	279-389	302-391	333-458	370-556	449-647
S	167	197	264	275	331	347	409	424	481	552	643



JAWS-CATALOG

Request or  
download:  
[www.smw-autoblok.de](http://www.smw-autoblok.de)