

JBX

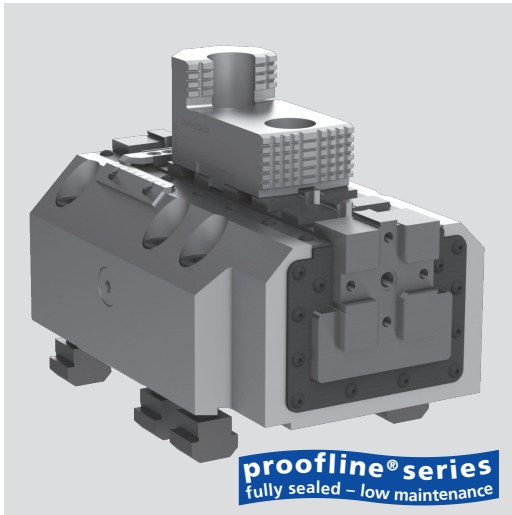
Manual jaw box
SMW-AUTOBLOK standard
mounting dimensions

JBX-2G

Manual jaw box
with semi-finished body

High precision, resistance and power manual jaw box

- Accessory for face plates, 4 jaws independent manual or other chucks
- Internal or external clamping



Application/customer benefits

- Manual radial setting and clamping of large components on large plates or chuck
- JBX: standard mounting dimensions for SMW-AUTOBLOK chucks
- JBX-2G: semifinished body and radial reference key to be adapted by customer
- Added to chucks it gives more gripping force to apply a higher torque on the workpiece
- Added to chucks it gives more contact points with the workpiece to better distribute the gripping force thus reducing distortion
- Very powerful and accurate clamping allowed by strong design
- Suitable for vertical machines thanks to the body fully protected
- Use of standard hard or soft jaw on top of the master jaw or special frontal jaws on the front side of the master jaw
- TONGUE & GROOVE master jaws (type "American Standard")

Technical features

- Manual gripping force applied by a strong and protected screw on a strong and rigid master jaw
- Manual and fine setting of master jaws for workpiece centering
- Protection from contamination with seals along the master jaw profiles
- Designed to work on SMW-AUTOBLOK large manual or power chucks or on special plates
- Body designed for better chip evacuation

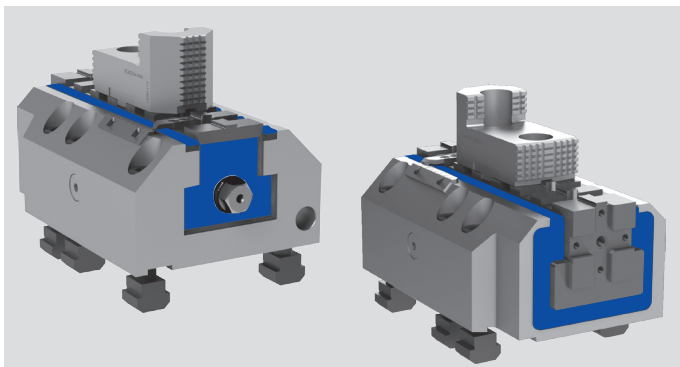
Standard equipment

Manual jaws box
1 radial key
6 T-nuts and mounting screws (only JBX)

Ordering example

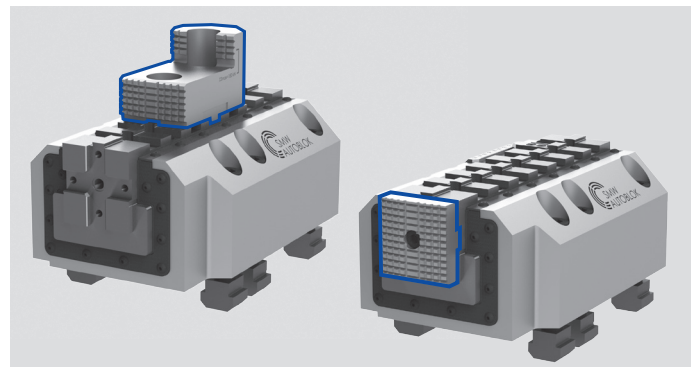
Qty. 1 / 2 / 3 / 4 manual jaw box JBX 300
Id. No. 77653003
Option: actuation key Id. No. 11122700

Maximum protection



Master jaw protected on each side by steel profiles. Maximum protection from the penetration of chips, swarf, rubber and coolant allowing less maintenance, to work in bad environments and for a longer operative life.

Flexibility of use



The jaw box can carry standard or special hard or soft jaws mounted on the upper side of the master jaw or special jaws mounted on the front side of the master jaw. The jaws on the front side allow an optimal clamping, in the same axis of the master jaws thus reducing deformation of the jaw and the jaw box. This allows a more rigid and accurate clamping. Also the frontal jaw option increases the flexibility allowing the customer to clamp the component in a very low area where it would be impossible to clamp with traditional jaws mounted on the upper side of the master jaw.

Technical data

SMW-AUTOBLOK Type		JBX 300	JBX-2G 300	JBX-2G 400
Id. No.		77653003	77653009	77654003
Jaw stroke (manual setting)	mm	50	50	100
Max. manual operating torque	Nm	200	200	400
Max. gripping force	kN	50	50	100
Weight (without top jaws)	kg	50	50	90
Hard top jaw (piece)*	Id. No.	12087111	12087111	12087111
Soft top jaw (piece)*	Id. No.	12044050	12044050	12044050
Soft top jaw long (piece)*	Id. No.	12045051	12045051	12045051
Soft top jaw for master jaw front side (piece)*	Id. No.	65653007	65653007	65653007

* The soft and tempered jaws are not supply, the Id. No. are indicated in the table.

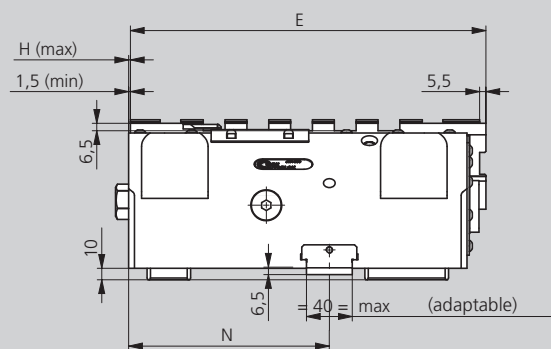
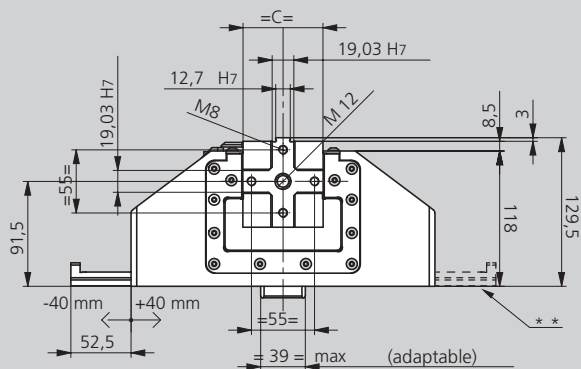
High precision, resistance and power manual jaw box

- Accessory for face plates, 4 jaws independent manual or other chucks
- Internal or external clamping

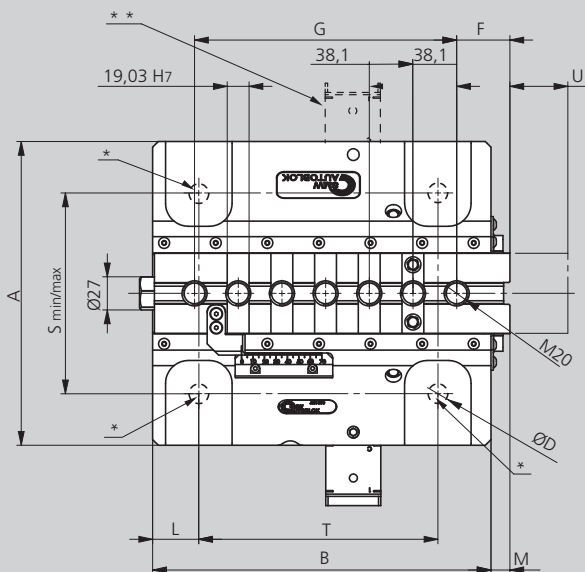
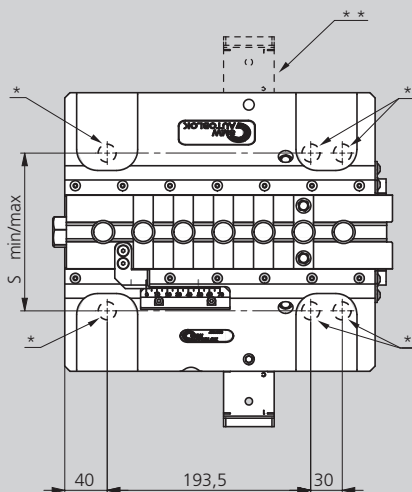
JBX-2G

Manual jaw box
with semi-finished body

0



JBX-2G 300



Subject to technical changes.
For more detailed information please ask our customer service.

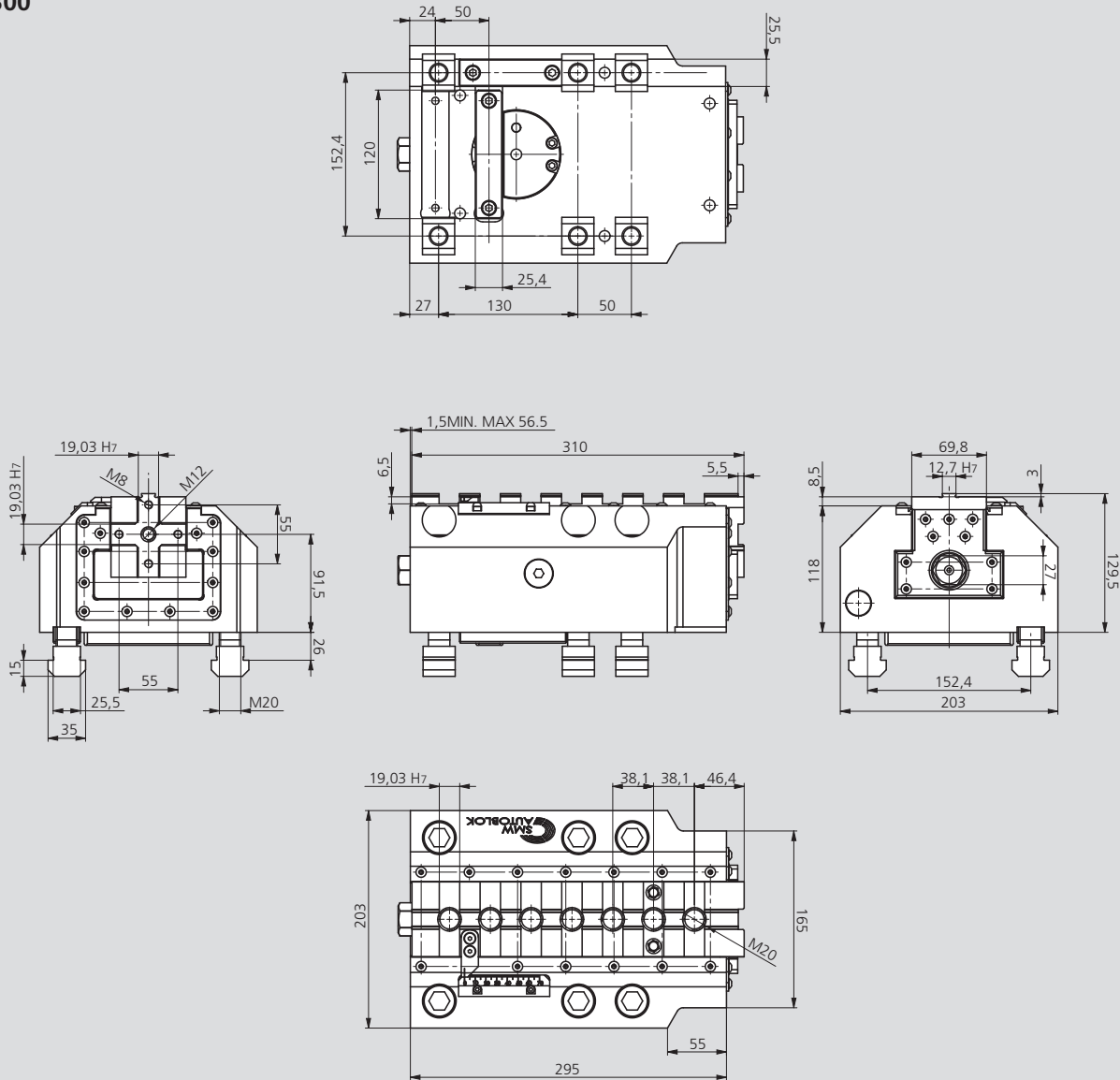
SMW-AUTOBLOK Type		JBX-2G 300	JBX-2G 400
A	mm	265	310
B	mm	295	380
C	mm	70	80
Ø D min / max	mm	17-25	21-31
E	mm	310	395
F	mm	46.4	55.2
G	mm	228.6	304.8
H	mm	51.5	101.5
L	mm	40	57.5
U stroke	mm	50	100
M	mm	16.5	16.5
N	mm	175	225
S screws M16-M20 min. *	mm	150	-
S screws M16-M20 max. *	mm	230	-
S M20-M24 nuts min. *	mm	175	210
S M20-M24 nuts max. *	mm	220	260
S M30 nuts min. *	mm	-	220
S M30 nuts max. *	mm	-	260
T	mm	208.5	250

* All these elements have to be worked according to the needs of the customer. If the customer will make these modifications, they must be approved by the SMW-AUTOBLOK technical office. Before making the modifications, we suggest to request the jaw box 2D or 3D drawing. Note that the minimum screws size must be M16 or M20.

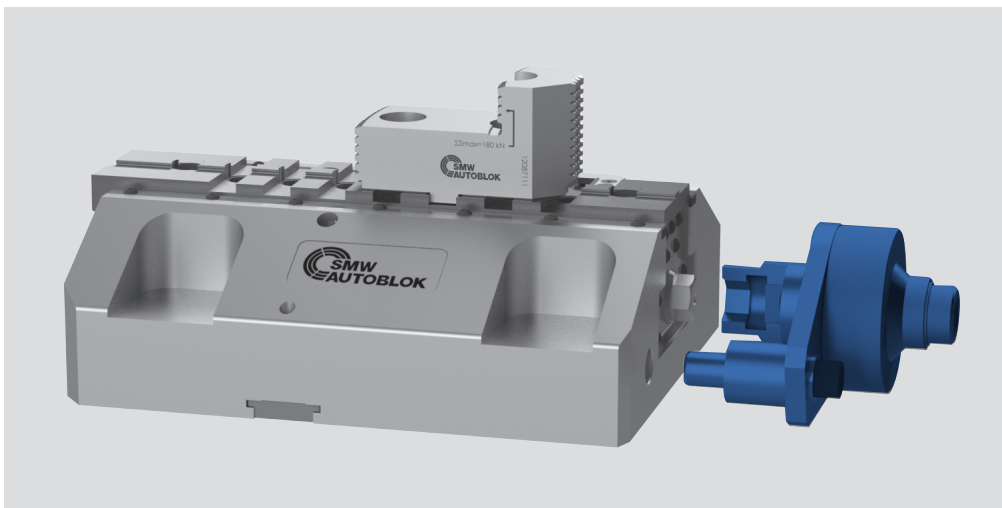
** In case of interference, the radial reference key can be mounted on the other side of the JBX-2G.

- Accessory for face plates, 4 jaws independent manual or other chucks
- Internal or external clamping

JBX 300



Optional 5:1 Torque multiplier for JBX and JBX-2G



To achieve the maximum gripping force and speed, the easiest and more comfortable way is to use this multiplier that will increase 5 times the input torque.
Id. No. 13506320