

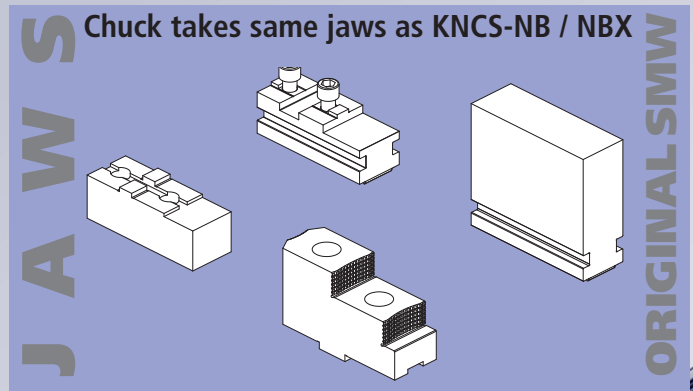
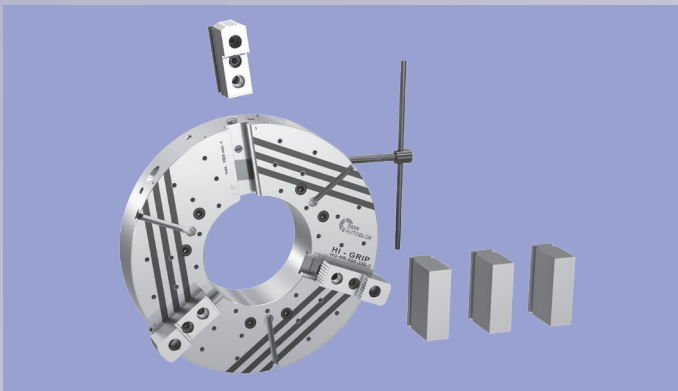
Fast changeover, fast payback:

# The original quick jaw change manual chuck

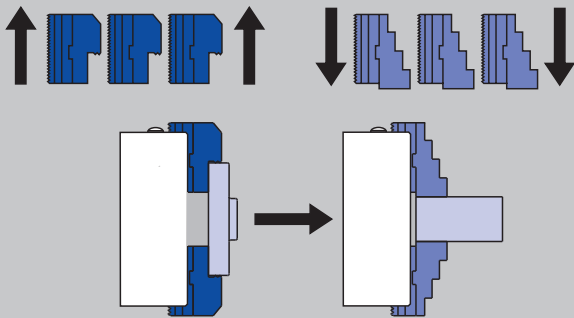
## HG-NB

EXTRA LARGE THROUGH HOLE

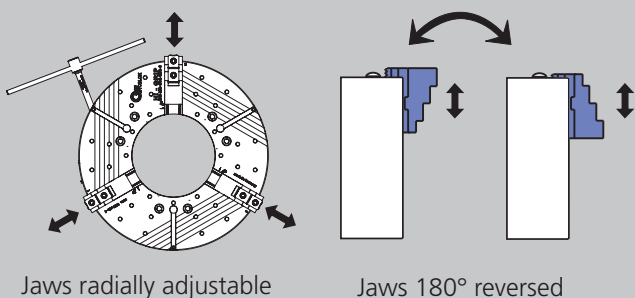
>> ALL EXISTING TOP JAWS CAN BE USED.



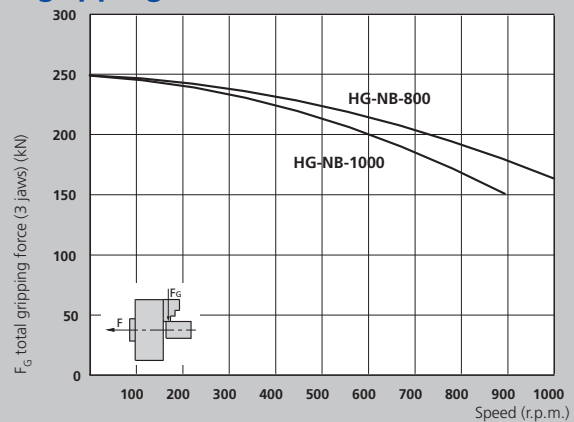
- Jaw change in less than 1 minute



- Universal, because jaws can be radially adjusted and reversed = less jaw sets



For highest speeds  
Flat gripping force curve



- The max. gripping force is the total, acting on the 3 jaws, obtained by applying to the chuck the max. allowed driving torque. The data refers to a chuck newly maintained accordingly to their service manual, using SMW K05 grease.
- The dynamic gripping forces have been measured using hardened standard stepped monoblock jaws placed in a position not exceeding the outer diameter of the chuck.

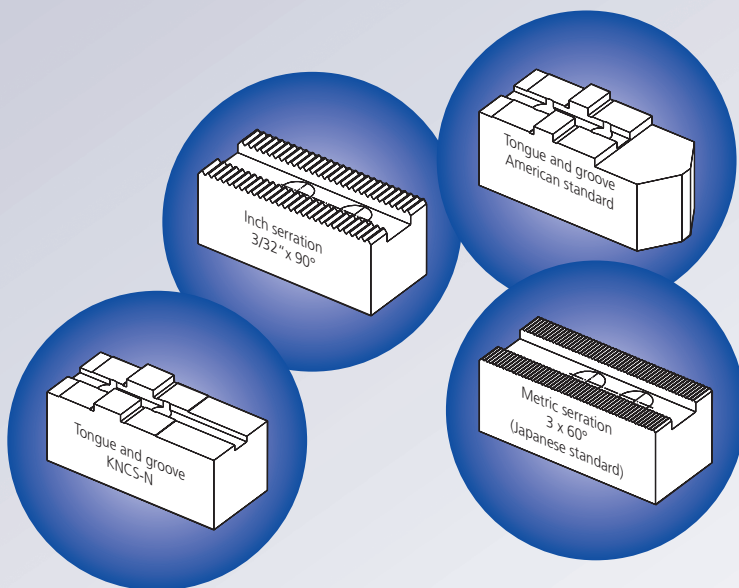
⚠ Safety advice / danger of damage:

When using taller / heavier jaws and / or clamping on a more external position reduce driving torque / rotating speed accordingly.

# Less costs by using all existing top jaws from:

- SMW-AUTOBLOK
- Autoblok
- Buck
- Forkardt
- Gamet
- Howa
- Kitagawa
- Logansport
- Mario Pinto
- Matsumoto
- Pratt Burnerd
- Röhms
- Rotomors
- Schunk
- Berg
- Woodworth

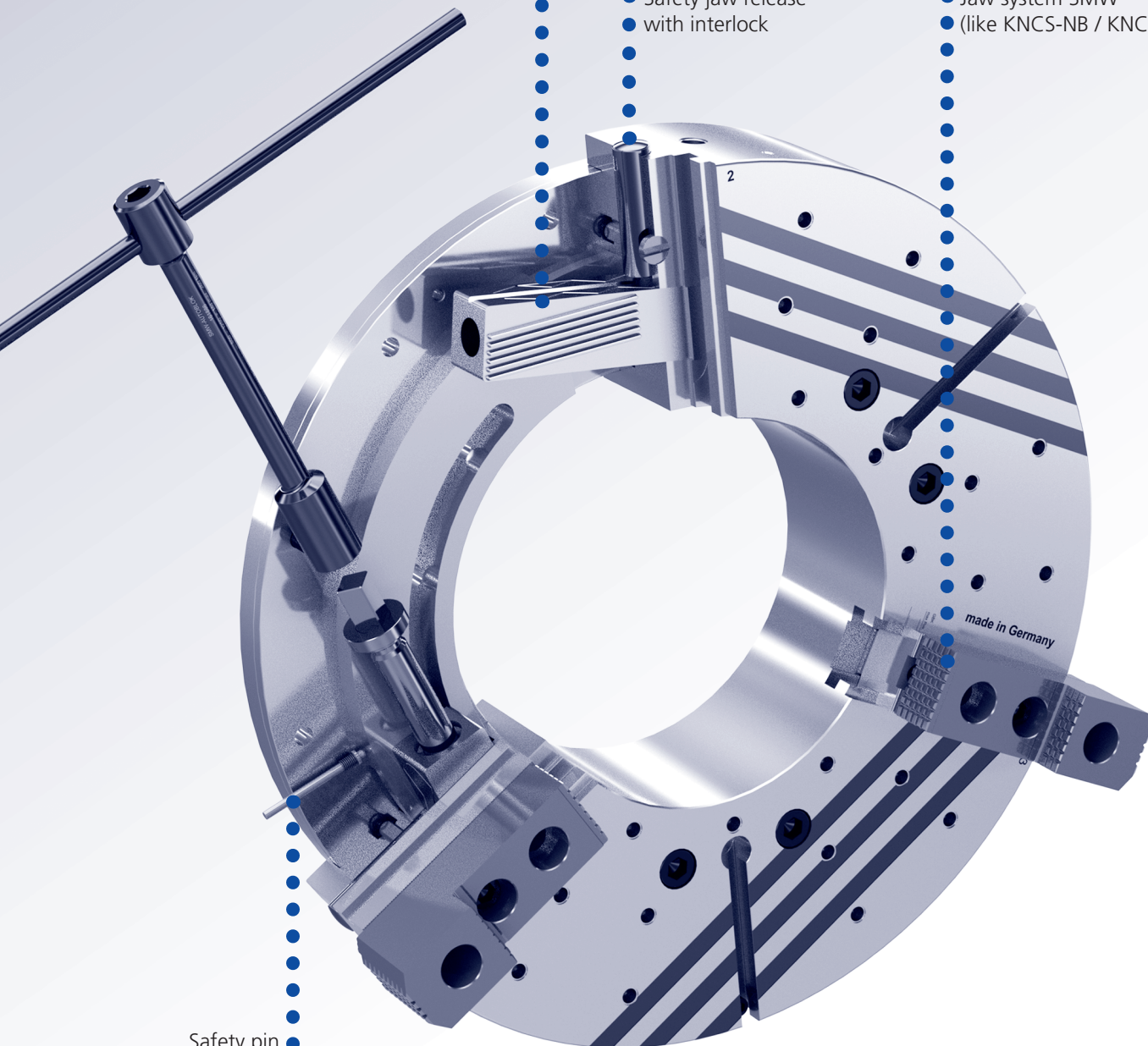
If your jaw type is not included, please contact us.



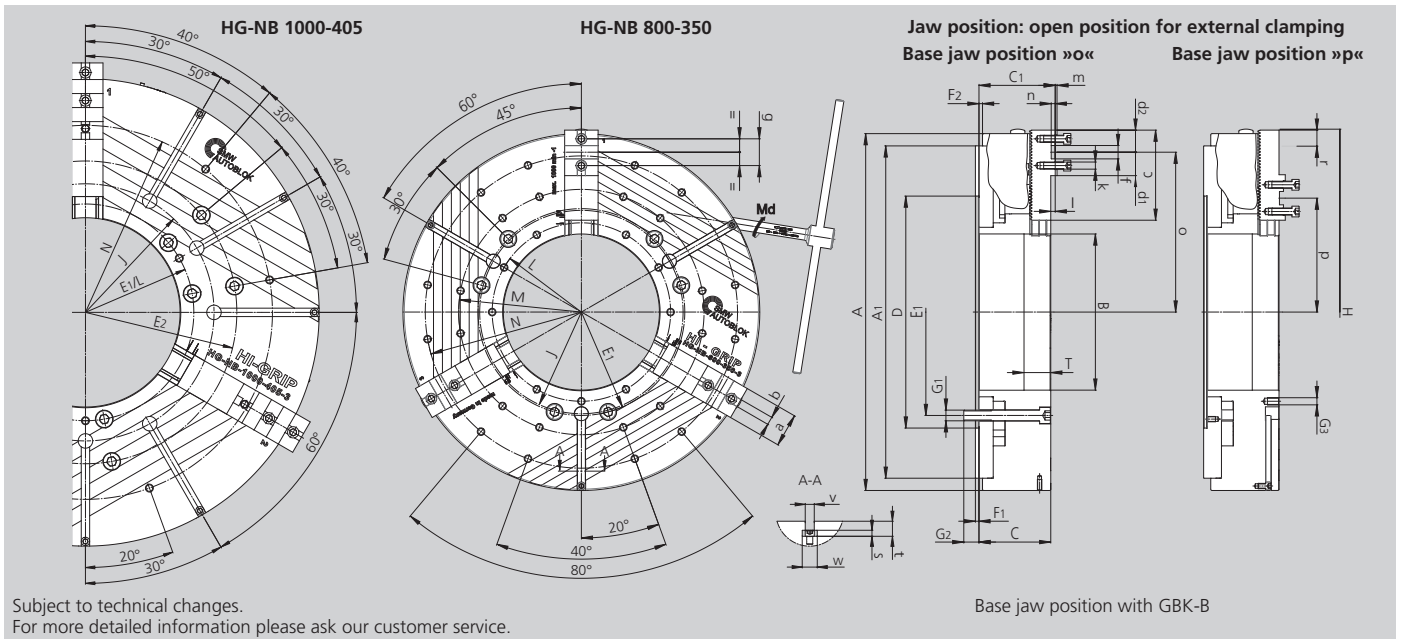
Wedge bar design guarantees highest precision, concentricity and repeatability as well as highest gripping forces

● Safety jaw release with interlock

● Jaw system SMW (like KNCS-NB / KNCS-NBX)



● Safety pin indicates correct jaw stroke position

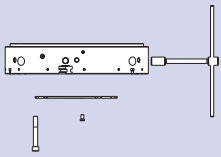


| SMW-AUTOBLOK Type HG-NB   |                   | 800-350        | 1000-405      |
|---------------------------|-------------------|----------------|---------------|
| Mounting                  | Size              | Z520           | Z720          |
|                           | A                 | 800            | 1000          |
|                           | A1                | 745            | 880           |
|                           | B                 | 350            | 405           |
|                           | C                 | 161            | 161           |
|                           | C1                | 171            | 171           |
|                           | D                 | 520            | 720           |
|                           | E1                | 463.6          | 463.6         |
|                           | E2                | -              | 647.6         |
|                           | F1                | 8              | 8             |
|                           | F2                | 8              | 8             |
|                           | G1                | M24 (6x)       | M24 (12x)     |
|                           | G2                | 34             | 34            |
| Piston thread / depth     | G3                | M16 (33x) / 26 | M16 (9x) / 25 |
| Piston stroke             | H                 | 839            | 1070          |
|                           | J                 | 456            | 550           |
|                           | L                 | 400            | 463.6         |
|                           | M                 | 550            | -             |
|                           | N                 | 700            | 800           |
|                           | T                 | 60             | 60            |
| Base jaw                  | -                 | GBK-B 630      | GBK-B 800     |
|                           | a                 | 75             | 75            |
|                           | b                 | 18             | 18            |
|                           | c                 | 202            | 286           |
|                           | d1                | 52,5           | 113           |
|                           | d2                | 49,5           | 50,5          |
|                           | f                 | 30             | 30            |
|                           | g                 | 60             | 60            |
|                           | k                 | M16            | M16           |
|                           | l                 | 10             | 10            |
|                           | m                 | 4              | 4             |
|                           | n                 | 9              | 9             |
| Max. / min.               | o                 | 368.4 / 277.4  | 478 / 303     |
| Max. / min.               | p                 | 265.4 / 174.4  | 293 / 118     |
| Base jaw tooth pitch      | -                 | 7              | 7             |
| Base jaw offset           | r                 | 91             | 175           |
| Base jaw offset           | teeth             | 13             | 25            |
|                           | s                 | 12             | 12            |
|                           | t                 | 30             | 30            |
| H8                        | v                 | 18             | 18            |
|                           | w                 | 30             | 30            |
| Usable jaw stroke         | mm                | 13             | 13.2          |
| Max. total gripping force | kN                | 250            | 250           |
| At max. torque Md         | Nm                | 260            | 260           |
| Speed                     | r.p.m.            | 1000           | 900           |
| Weight without jaws       | kg                | 475            | 745           |
| Moment of inertia         | kg·m <sup>2</sup> | 45.5           | 109           |

# HG-NB

QUICK JAW CHANGE  
Wide master jaws

## Ordering review



| Size             | HG-NB<br>800-350 | HG-NB<br>1000-450 |
|------------------|------------------|-------------------|
| Spindle mounting |                  |                   |
| Centering rim    | Z520<br>161880   | Z720<br>161910    |

### Supply range

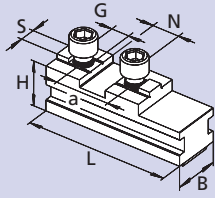
Chuck + actuation wrench + mounting bolts + 1 set of coverplates without base jaws

### Base jaw type

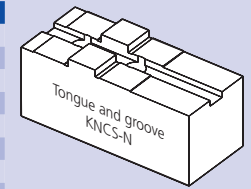
#### GBK-B

TONGUE & GROOVE KNCS-N standard

### Existing top jaw



| HG-NB      | 800-350 | 1000-450 |
|------------|---------|----------|
| Id. No.    | 035902  | 064604   |
| B          | 75      | 75       |
| H          | 57      | 57       |
| L          | 202     | 286      |
| N          | 30      | 30 (2x)  |
| S          | 18      | 18       |
| G (metric) | M16     | M16      |
| a          | 60      | 2 x 60   |

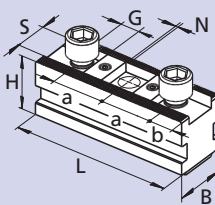


### Base jaw type

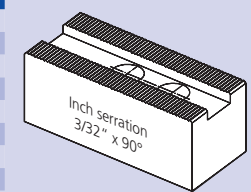
#### GBK-BD

INCH SERRATED (for SMW-AUTOBLOK standard jaws)

### Existing top jaw



| HG-NB     | 800-350           | 1000-450           |
|-----------|-------------------|--------------------|
| Id. No.   | 036295            | 036296             |
| B         | 75                | 75                 |
| H         | 61                | 61                 |
| L         | 202               | 286                |
| N         | 3/32" x 90°       | 3/32" x 90°        |
| S (ridge) | 25.5              | 25.5               |
| G         | M20               | M20                |
| a         | 38 / 38 / 52 / 38 | 3x38 / 60.7 / 2x38 |
| b         | 18                | 17.5               |

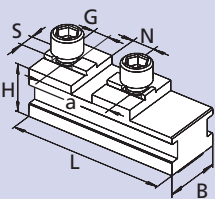


### Base jaw type

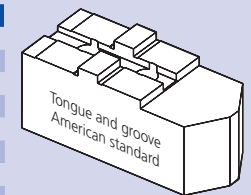
#### GBK-BA

TONGUE & GROOVE American standard

### Existing top jaw



| HG-NB    | 800-350 | 1000-450   |
|----------|---------|------------|
| Id. No.  | 060562  | 064590     |
| B        | 75      | 75         |
| H        | 57      | 57         |
| L        | 202     | 286        |
| N        | 19.02   | 19.02 (2x) |
| S        | 12.7    | 12.7       |
| G (inch) | 3/4-10  | 3/4-10     |
| a        | 76.2    | 2 x 76.2   |

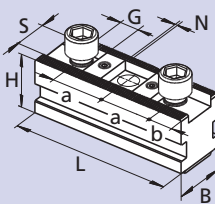


### Base jaw type

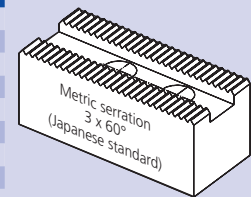
#### GBK-BM

METRIC SERRATION

### Existing top jaw



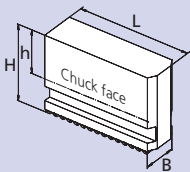
| HG-NB      | 800-350 | 1000-450            |
|------------|---------|---------------------|
| Id. No.    | 035917  | 036708              |
| B          | 75      | 75                  |
| H          | 61      | 61                  |
| L          | 202     | 286                 |
| N          | 3 x 60° | 3 x 60°             |
| S          | 25      | 25                  |
| G (metric) | M20     | M20                 |
| a          | 2 x 60  | 60 / 60 / 70.5 / 60 |
| b          | 18      | 17.5                |



### Jaw type

#### UVB-B

Soft wide monoblock jaws



| HG-NB    | 800/1000  |
|----------|-----------|
| Jaw type | UVB-B 630 |
| Id. No.  | 5301060   |
| B        | 75        |
| H        | 160       |
| h        | 105       |
| L        | 230       |
| kg / set | 61.5      |

JAWS-CATALOG

Request or download:  
[www.smw-autoblok.de](http://www.smw-autoblok.de)

