

# V-MAX DRILL

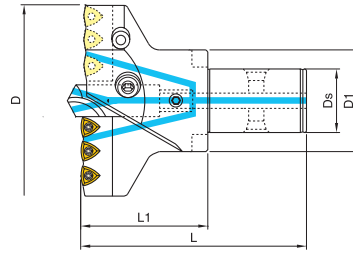
## Modular Drill $\varnothing 45 - \varnothing 180$



# V-MAX DRILL

## VMD

DRILLING



### ● MX Modular Shank Type

Code No.	Dimension(mm)					Pilot Drill	Cartridge	Insert	Component	
	D	Ds	D1	L1	L				Screw	Driver
VMD-045050	45-50	13	28	50	85	PLD-V1035 TiN-H	VMC-045050N/T	WCMX030204	TSB-22045	TXL-6
VMD-050055	50-55	13	28	50	85		VMC-050055N/T			
VMD-055060	55-60	16	32	60	100	PLD-V1238 TiN-H	VMC-055060N/T	WCMX040204	TSB-25055	TXL-8
VMD-060065	60-65	16	32	60	100		VMC-060065N/T			
VMD-065070	65-70	16	32	60	100	PLD-V1645 TiN-H	VMC-065070N/T	WCMX050308	TSB-30070	TXL-8
VMD-070075	70-75	22	40	70	115		VMC-070075N/T			
VMD-075080	75-80	22	40	70	115	PLD-V1645 TiN-H	VMC-075080N/T	WCMX06T308	TSB-35090	TXL-15
VMD-080085	80-85	22	40	70	115		VMC-080085N/T			
VMD-085090	85-90	27	48	70	120	PLD-V2045 TiN-H	VMC-085090N/T	WCMX050308	TSB-30070	TXL-8
VMD-090095	90-95	27	48	70	120		VMC-090095N/T			
VMD-095100	95-100	27	48	70	120	PLD-V2045 TiN-H	VMC-095100N/T	WCMX050308	TSB-30070	TXL-8
VMD-100105	100-105	32	58	80	130		VMC-100105N/T			
VMD-105110	105-110	32	58	80	130	PLD-V2556 TiN-H	VMC-105110N/T	WCMX06T308	TSB-35090	TXL-15
VMD-110115	110-115	32	58	80	130		VMC-110115N/T			
VMD-115120	115-120	40	70	90	145	PLD-V2556 TiN-H	VMC-115120N/T	WCMX06T308	TSB-35090	TXL-15
VMD-120125	120-125	40	70	90	145		VMC-120125N/T			
VMD-125130	125-130	40	70	90	145	PLD-V3068 TiN-H	VMC-125130N/T	WCMX080408	TSB-40110	TXL-15
VMD-130135	130-135	40	70	90	145		VMC-130135N/T			
VMD-135140	135-140	40	70	90	145	PLD-V3068 TiN-H	VMC-135140N/T	WCMX080408	TSB-40110	TXL-15
VMD-140150	140-150	50	80	100	160		VMC-140150N/T			
VMD-150160	150-160	50	80	100	160	PLD-V3068 TiN-H	VMC-150160N/T	WCMX080408	TSB-40110	TXL-15
VMD-160170	160-170	50	80	100	160		VMC-160170N/T			
VMD-170180	170-180	50	80	100	160	PLD-V3068 TiN-H	VMC-170180N/T	WCMX080408	TSB-40110	TXL-15

- ※ The drill body treated by forging was much solidier and much stronger in impact.
- ※ The connecting strength by the MX modular system is excellent and the drilling depth is freely adjustable by connecting MXB, MXR and MXA.
- ※ Drill head is supplied with Max. diameter
- ※ Please refer to the [page108](#) regarding WCMX insert.

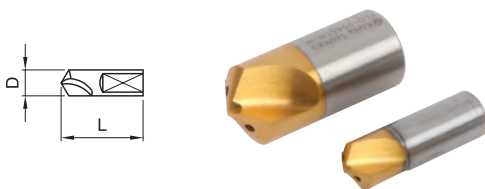


### CARTRIDGE

Drilling Range	Inner	Outer	Insert	No. of Insert	Component	
					Screw	Driver
45-50	VMC-045050N	VMC-045050T	WCMX030204	2	TSB-22045	TXL-6
50-55	VMC-050055N	VMC-050055T	WCMX040204	2	TSB-25055	TXL-8
55-60	VMC-055060N	VMC-055060T	WCMX050308	2	TSB-30070	
60-65	VMC-060065N	VMC-060065T	WCMX06T308	2	TSB-35090	
65-70	VMC-065070N	VMC-065070T				
70-75	VMC-070075N	VMC-070075T				
75-80	VMC-075080N	VMC-075080T	WCMX050308	3	TSB-30070	TXL-8
80-85	VMC-080085N	VMC-080085T				
85-90	VMC-085090N	VMC-085090T				
90-95	VMC-090095N	VMC-090095T				
95-100	VMC-095100N	VMC-095100T				
100-105	VMC-100105N	VMC-100105T	WCMX06T308	3	TSB-35090	TXL-15
105-110	VMC-105110N	VMC-105110T				
110-115	VMC-110115N	VMC-110115T				
115-120	VMC-115120N	VMC-115120T				
120-125	VMC-120125N	VMC-120125T				
125-130	VMC-125130N	VMC-125130T				
130-135	VMC-130135N	VMC-130135T				
135-140	VMC-135140N	VMC-135140T				
140-150	VMC-140150N	VMC-140150T				
150-160	VMC-150160N	VMC-150160T				
160-170	VMC-160170N	VMC-160170T	WCMX080408	3	TSB-40110	TXL-15
170-180	VMC-170180N	VMC-170180T				

※ Please place an order shorten the length of outer cartridge if smaller dia. is needed.(ex:  $\phi 77$ =by1.5mm cutting MDC-075080T)

### PILOT DRILL



Code No.	치수 Dimension(mm)	
	D	L
PLD-V1035 TiN-H	10	35
PLD-V1238 TiN-H	12	38
PLD-V1645 TiN-H	16	45
PLD-2045 TiN-H	20	45
PLD-2556 TiN-H	25	56
PLD-3068 TiN-H	30	68

※ ex:PLD-2556 TiN-H(25TiN coated oil hole)

### DRIVE RING

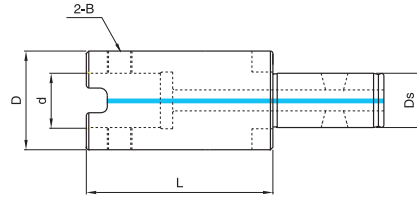


Code No.	치수 Dimension(mm)		
	D	d	S
DVR-281310	28	13	10
DVR-321610	32	16	10
DVR-402212	40	22	12
DVR-482712	48	27	12
DVR-583214	58	32	14
DVR-704014	70	40	14
DVR-805016	80	50	16

# V-MAX DRILL

## MXB / MXR

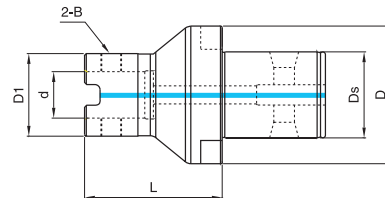
DRILLING



● MX Extension

▶ MXB

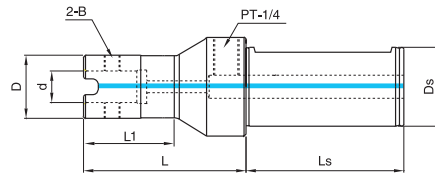
Code No.	Dimension(mm)				B	Drive Ring	
	D	d	L	Ds			
MXB-2813115	28	13	115	13	MTB-08115	DVR-281310	
MXB-2813150			150				
MXB-2813200			200				
MXB-2813300	300						
MXB-3216115	32	16	115	16		MTB-10145	DVR-321610
MXB-3216200			200				
MXB-3216300			300				
MXB-4022113	40	22	113	22	MTB-12175		DVR-402212
MXB-4022200			200				
MXB-4022300			300				
MXB-4827113	48	27	113	27		MTB-12195	DVR-482712
MXB-4827200			200				
MXB-4827300			300				
MXB-5832186	58	32	186	32	MTB-16260		DVR-583214
MXB-5832300			300				
MXB-7040186			186				
MXB-7040300	70	40	300	40		MTB-16260	DVR-704014
MXB-7040500			500				
MXB-8050204			204				
MXB-8050300	80	50	300	50	MTB-16260		DVR-805016
MXB-8050500			500				



● MX Reducer

▶ MXR

Code No.	치수 Dimension(mm)					B	D1/Drive Ring	D/Drive Ring
	Ds	d	L	D	D1			
MXR-1613100	16	13	100	32	28	MTB-08115	DVR-281310	DVR-321610
MXR-2216100	22	16	100	40	32	MTB-08115	DVR-321610	DVR-402212
MXR-2722100	27	22	100	48	40	MTB-10145	DVR-402212	DVR-482712
MXR-3213100	32	13	100	58	28	MTB-08115	DVR-281310	DVR-583214
MXR-3216100	32	16	100	58	32	MTB-08115	DVR-321610	DVR-583214
MXR-3222100	32	22	100	58	40	MTB-10145	DVR-402212	DVR-583214
MXR-3227100	32	27	100	58	48	MTB-12175	DVR-482712	DVR-583214
MXR-4032100	40	32	100	70	58	MTB-12195	DVR-583214	DVR-704014
MXR-5013080	50	13	80	80	28	MTB-08115	DVR-281310	DVR-805016
MXR-5016080	50	16	80	80	32	MTB-08115	DVR-321610	DVR-805016
MXR-5022080	50	22	80	80	40	MTB-10145	DVR-402212	DVR-805016
MXR-5027080	50	27	80	80	48	MTB-12175	DVR-482712	DVR-805016
MXR-5032080	50	32	80	80	58	MTB-12195	DVR-583214	DVR-805016
MXR-5040150	50	40	150	80	70	MTB-16260	DVR-704014	DVR-805016

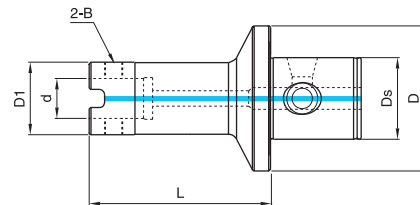


● MX + CYLINDRICAL Adaptor

▶ MXA

Code No.	Dimension(mm)						B	Drive Ring
	Ds	d	L	L1	D	Ls		
MXA-3213115	32	13	115	77	28	70	MTB-08115	DVR-281310
MXA-3213200		13	200	165	28			
MXA-3213300		13	300	265	28			
MXA-4016125	40	16	125	86	32	80	MTB-10145	DVR-321610
MXA-1016200		16	200	161	32			
MXA-4016300		16	300	261	32			
MXA-4022148		22	148	109	40			
MXA-4022200		22	200	161	40			
MXA-4022300		22	300	261	40			
MXA-4027168		27	168	133	48			
MXA-4027300		27	300	265	48			
MXA-4032186		32	186	151	58			
MXA-4032300		32	300	265	58			
MXA-W5040186	50	40	186	151	70	MTB-16260	DVR-704014	
MXA-W5040300		40	300	265	70			
MXA-W5050184		50	184	149	80			
MXA-W5050300		50	300	265	80			

※ It is a Adaptor that converts the MX modular system to Side lock Type.



● MX + EXT Adaptor

▶ MXE

Code No.	치수 Dimension(mm)					B	D1/Drive Ring
	Ds	d	L	D	D1		
MXE-3613100	36	13	100	63	28	MTB-08115	DVR-281310
MXE-3616100		16			32	MTB-08115	DVR-321610
MXE-3622100		22			40	MTB-10145	DVR-402212
MXE-3627100		27			48	MTB-12175	DVR-482712
MXE-3632100		32			58	MTB-12195	DVR-583214
MXE-4513100	45	13	80	80	28	MTB-08115	DVR-281310
MXE-4516100		16			32	MTB-08115	DVR-321610
MXE-4522100		22			40	MTB-10145	DVR-402212
MXE-4527100		27			48	MTB-12175	DVR-482712
MXE-4532100		32			58	MTB-12195	DVR-583214

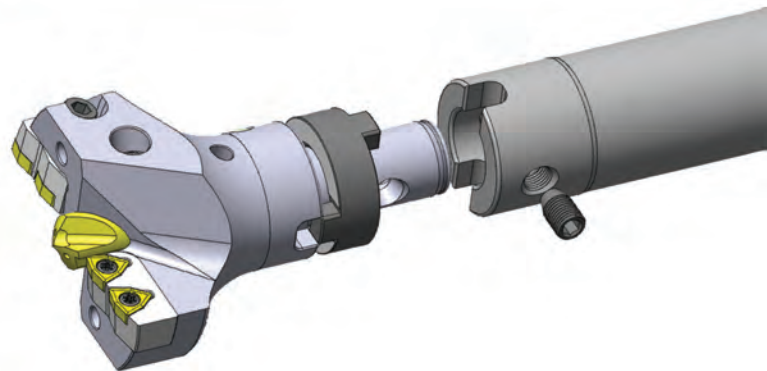
※ It is a Adaptor that converts the MX modular system to EXT modular system.





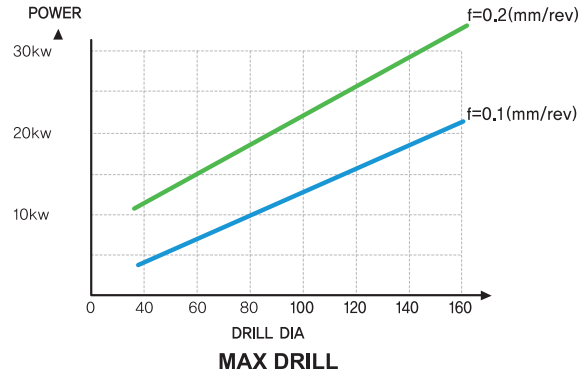
**새로워진 V-MAX DRILL!**  
**IMPROVED V-MAX DRILL!**

- The drill body treated by forging was much solidier and much stronger in impact.
- The especially treated surface of body make the inner-abrasion much better and the life make much longer
- As this drill was designed more stably, this drill is steady of drilling and is good of economical efficiency.
- Drilling diameters are from 45mm to 180mm and the drilling depth is freely adjustable by using the MX modular system
- As this drill is cartridge(VMC)type, the drilling diameters are adjustable.
- We can supply to customers promptly by kepping stable stocks.

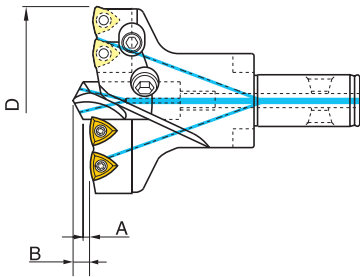


- The connecting strength by the MX modular system is excellent and the drilling depth is freely adjustable by connecting MXB, MXR and MXA.

## POWER REQUIREMENTS



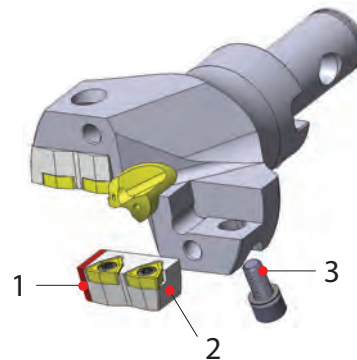
## Pilot drill(PLD) setting



D	2~4×D		4~6×D		6~8×D	
	A	B	A	B	A	B
45-55	1.6	4.0	1.8	4.2	2.0	4.4
55-75	1.8	5.4	2.0	5.6	2.2	5.8
75-100	2.2	6.5	2.5	6.8	2.8	7.1
100-120	2.4	7.7	2.8	8.1	3.2	8.5
120-170	3.2	9.9	3.6	10.3	4.0	10.7
170-180	3.5	12.2	3.9	12.6	4.3	13.0

## THE DIAMETER ADJUSTING PROCEDURES OF VMD(MXD)

- 1) Loosen the clamping bolt of the outer cartridge and remove it from the drill body.
- 2) Cut off the inside part, the contacted side of the outer cartridge by milling after calculating the drilling diameter.
- 3) Slick the sharp corner of the cut cartridge.



- 4) Adhere the cartridge closely to the drill body not happen gap and fix the cartridge with bolt tightly.

**Example** | If setting VMD-135140 to  $\phi 136$  seat  
 The standard drill diameter is  $\phi 140$  so  $\phi 140 - \phi 136 = 4 \rightarrow 4 \div 2 = 2$  (calculation by semidiameter)  
 2mm is cut off.

