

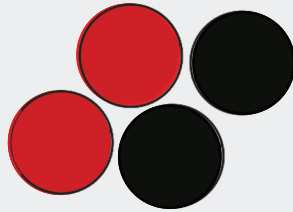
## SETTING UP THE GAME

**AGES 3+ | 2-4 PLAYERS**

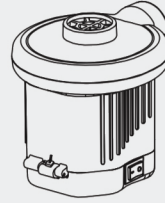
**PLEASE READ WARNINGS AND SAFETY PRECAUTIONS ON BACK OF THIS PAGE PRIOR TO SETTING UP**



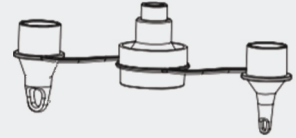
1 Inflatable Dartboard



2 Red Balls 2 Black Balls



1 Electric Air Pump



1 Electric Pump Attachment



1 Manual Air Pump  
with Needle Attachment



4 Ground Stakes

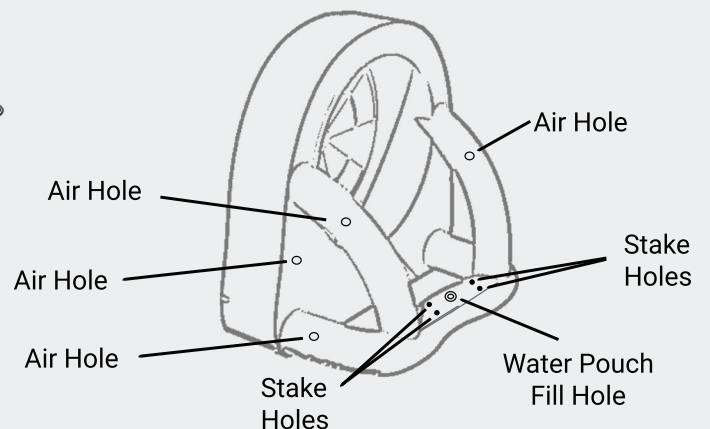
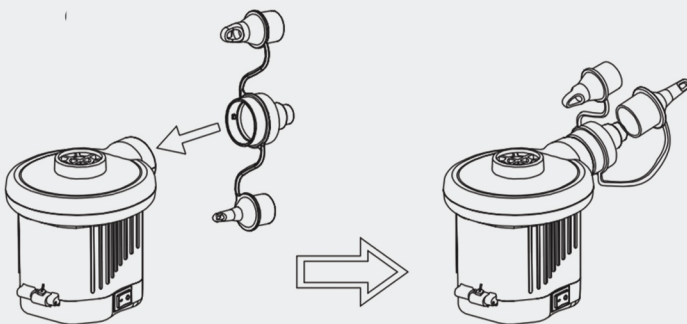


2 Repair Patches

**Assembly Time:  
Approximately 10-15min**

To inflate balls, screw needle attachment into end of hose on manual air pump. Insert needle into air hole on ball, and push and pull pump repeatedly until ball is firm.

To inflate dartboard, plug in electric air pump to AC outlet and secure attachments to blower as shown below. Following all safety precautions, place attachment into air nozzle on the rear base of inflatable and turn on. Hold firmly in place until inflatable section is firm. Follow the same process for the remaining 3 air nozzles.



Secure dartboard into place by filling water pouch with a hose. Water pouch is located at the rear base horizontal bar. Additionally, drive the attached stakes through the 4 holes around the water pouch and into the ground to fully secure.

# SAFETY WARNINGS

**Swooc**  
GAMES

## CHILD SAFETY

- Adult supervision is required for children playing this game.
- Check the condition of the product before allowing children to use. Do not use if product is damaged or leaking air.
- Remove package material before giving the product to a child.
- Keep product away from small children when it is not inflated.

## PRODUCT PROTECTION

- Use this item on a grassy, level surface and make sure to clear any obstructions or hard objects or debris.
- Set up should be done from a safe distance away from fences, garages, houses, overhanging branches, laundry lines or overhanging electrical wires. Use on a flat lawn only. Not on pavement or other hard surface. Lawn should be free of rocks, bumps, depressions, sticks, etc. This product should be set up in a location that has a minimum distance of 10ft. away from any freestanding structures or obstructions including houses, garages, fences, trees, playground equipment and large rocks.
- Avoid contacting the inflatable dartboard with sharp objects or hot surfaces which could cause injury.
- Remove sharp objects from your body which could damage the product such as rings, watches, etc.
- Do not sit, climb, lean, stand or kneel on this product.

## PRODUCT MAINTENANCE

- This dartboard can be cleaned by wiping it down with a non-flammable, non-toxic mild detergent. (mild dish washing soap)
- After use, clean debris from this product by spraying it with a hose.
- After cleaning, allow the product time to dry completely.
- Store this product DEFLATED, in a cool, dry area.

## HOW TO USE REPAIR PATCH

1. Deflate dartboard.
  2. Clean defective area.
  3. Remove paper backing
  4. Apply sticky side to repair area. Squeeze out all air bubbles.
  5. Do not inflate the product until the patch has been fixed in place for at least 20 minutes.
- NOTE: The repair patch is not a toy. Keep away from children.

## SAFETY WHILE ASSEMBLING

- No children in assembly area
- No pets in assembly area
- Adult assembly required
- CHOKING HAZARD - This item contains small parts. Not suitable for children under 3 years.
- Do not over-inflate or use high pressure air to inflate this product.
- Do not use this unit when it is under-inflated. The risks involved with this could include entrapment which may result in death or serious injury.
- Do not aim the balls at any person's eyes or face or at animals.



## ELECTRIC AIR PUMP WARNING

- For Indoor Household Use Only
- Adult Use Only
- This is an electrical product, not a toy. To avoid risk of fire, burns, injury, or shock, it should not be played with or placed where small children can reach it.
- Not recommended for use by children under eight (8) years of age.
- DO NOT EXPOSE UNIT TO RAIN OR WATER
- Always store pump in a cool, dry place.
- Do not allow pump to get wet.
- Do not direct air stream at face or body
- Do not operate for more than 10 minutes at a time. Unplug and let cool at least 5 minutes.
- Unplug unit when not in use.
- Do not obstruct vent holes or open source.
- Do not insert objects into the inflation or deflation connector.
- The AC supply cord can not be replaced. If the cord is damaged the appliance should be scrapped.
- Do not attempt to disassemble, repair, or service the pump.
- Do not run cord under carpeting. Do not cover cord with throw rugs, runners, or similar coverings. Do not route cord under furniture or appliances. Arrange cord away from traffica area and where it will not be tripped over.
- To reduce the risk of electrical shock or injury, use indoors only. Do not expose to rain. Store indoors.
- This appliance has a polarized plug (one blade is wider than the other). This plug will fit in a polarized outlet only one way. If the plug does not fit fully in the outlet, reverse the plug. If it still does not fit, contact a qualified electrician to install the proper outlet. Do not change the plug in any way.

FOLLOW THESE RULES AND ALL INSTRUCTIONS TO AVOID PROPERTY DAMAGE, ELECTRIC SHOCK, BURNS, AND OTHER INJURY.

**PLEASE READ ALL SAFETY PRECAUTIONS PRIOR TO USE**