

## **VICTORIAN SOLAR LAMP** **With GS Solar LED Light Bulb**

US Patent # 7172307

US Patent # 9458970

### Instruction Manual Model: GS-94B-FPW



GS-94B-F



GS-94B-P



GS-94B-W

### **Introduction**

Thank you for your purchase. **GAMA SONIC®** solar charged lighting eliminates the problems associated with most solar lighting available today. **GAMA SONIC®** solar charged lights are brighter and last all night with a typical solar charge. Unique design, superior light output and numerous installation options confirm the outstanding value of our product.

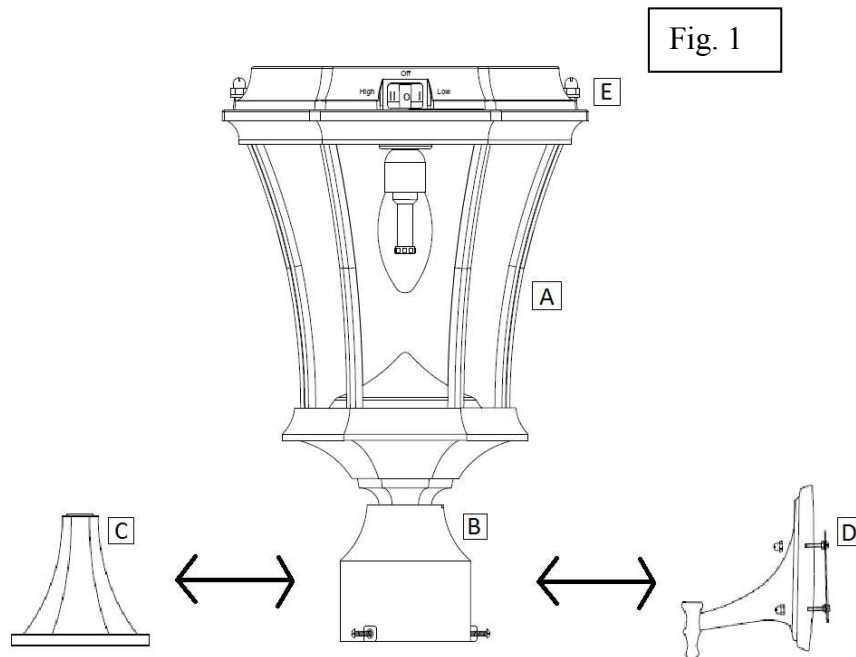
**GAMA SONIC®** has been recognized as a worldwide leader in the lighting industry for over 20 years. The company also offers unique products from multi-purpose solar lamps to emergency lighting products.

Tools that are needed but not supplied with the solar post lamps are: a screw driver and a power drill.

**Solar Lamp Location:**

For optimum light duration throughout the night, it is very important to place the solar panel in a spot where it will receive the maximum amount of direct sunlight throughout the day. Also, for best results install your solar panel facing the south.

**Assembly instructions (Fig. 1)**



**NOTE:** The following steps are for reference only. Consult your local hardware store for the best installation method for your particular surface.

**GS-94P (Post Mount)**

1. Use an electric drill to make four holes in the desired surface. Place provided anchors into holes, place the base of the lamp (C) in line with the holes and attach with the provided screws.
2. Screw part (A) into Part (C).

**GS-94W (Wall Mount)**

1. Use an electric drill to make two holes in the wall, place provided anchors into holes, place the wall bracket in line with the holes and attach with the provided screws.
2. Screw part (D) into Part (A).

## **GS-94F (3" Fitter Mount)**

**NOTE:** If you are replacing an existing gas/electric post light, you must consult a certified technician to disconnect them before installation.

1. Screw Part (B) on top of the existing 3" post using the screws provided.
2. Screw Part (A) into Part (B).

## **Installing\Replacing the Solar LED Bulb (Fig. 2 / Fig. 3)**

The Solar LED Bulb is designed to last up to 10 years, however if it doesn't work, or if you want to use different color temperature bulb, it can be easily replaced.

1. Detach the top of the lamp unit (E) by releasing the 2 screws. Make sure the Low/OFF/High switch is in the OFF (O) position.
2. Remove (if needed) the existing bulb by turning it counterclockwise.
3. Install the new Solar LED Bulb by turning into the bulb socket clockwise.
4. Reassemble the unit by reversing the above procedure

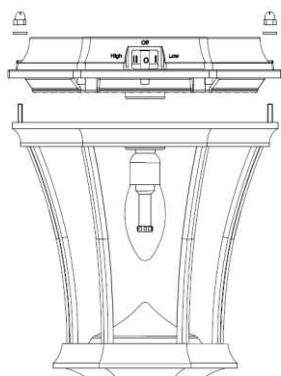


Fig. 2

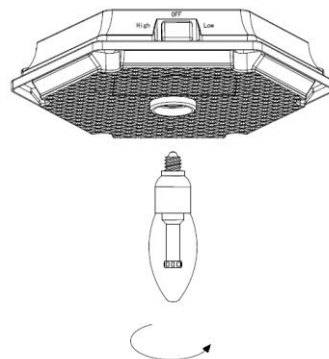


Fig. 3

## **Operation Instructions (Fig. 4)**

Turn the Low/Off/High switch located on the lamp head (E) to Low or High position according your preferences

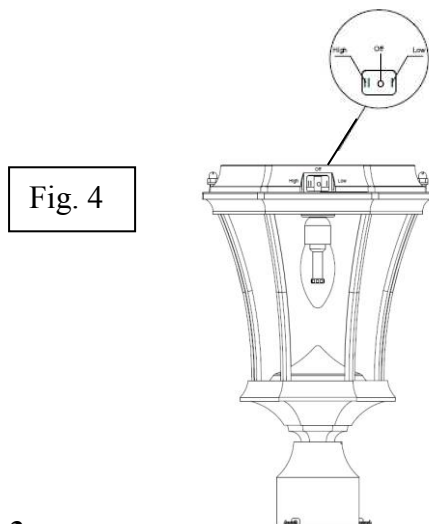


Fig. 4

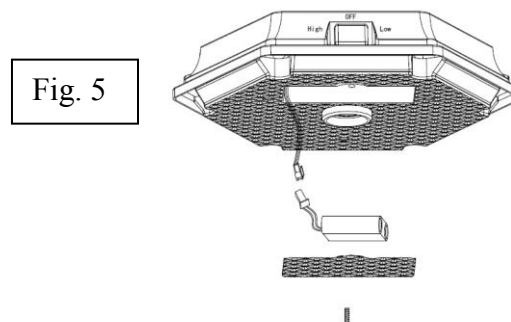


Fig. 5

## **Replacing the Batteries (Fig. 2 / Fig. 5)**

(After several years of use, the battery may need replacing).

1. Detach the top of the lamp unit (E) by releasing the 2 screws. Make sure the Low/OFF/High switch is in the OFF (O) position.
2. Unscrew the battery compartment screw.
3. Unclip the connector and remove the old battery. Make sure the new battery is high quality 3.2V/3000mAh Li-Ion rechargeable battery with connector.
4. Clip on new battery and install into the battery compartment Re-install battery compartment cover.
5. Reassemble the unit by reversing the above procedure.

**WARNING:** Do not dispose of Li-On battery in the regular trash, municipal waste stream or by fire as batteries may leak or explode. Do not open, short circuit, or mutilate batteries as injury may occur. Preserve our environment by recycling Li-Ion batteries or disposing of them in accordance with local, State and federal regulations. Do not mix old and new batteries.

### **Maintenance**

Clean the solar module regularly with a damp towel to guarantee optimum performance of the solar panel. Do not use any type of solvent for cleaning and be careful not to put too much pressure on the module while cleaning.

### **Trouble Shooting**

If your solar charged light does not come on at dusk despite observance of all the instructions, please try the following steps:

1. Make sure that the solar light is not being affected by any other light source.
2. Ensure the solar light is not positioned in the shade during the day.
3. Make sure the switch in the lamp head is in the "ON" position.
4. Check that the batteries are installed correctly.

**NOTE:** The performance of the solar light will vary with the time of year. It will deliver more light when it has had a full day in the sun rather than a day in overcast weather.

**WINTERTIME TIPS:** Keep snow and debris cleaned off the solar panels so the batteries can recharge. If the lights are covered with snow for an extended period of time, after the snow melts, allow all the batteries to charge in full, direct sunlight for at least 6 hours to their maximum capacity.

**WARNING:** Please keep out of reach of children.

