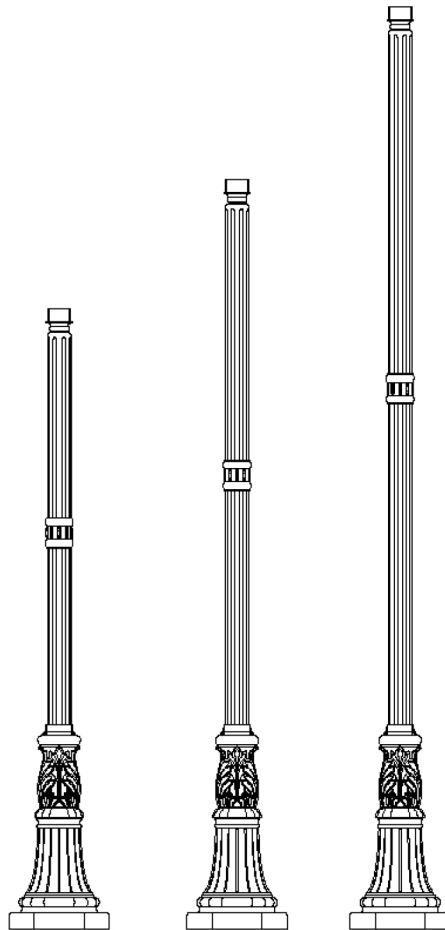


COMMERCIAL POLE

Instruction Manual

Model: GS-CP65/8/10FT



6.5 FT.

8 FT.

10 FT.

Introduction

Thank you for your purchase. **OutdoorSolarStore.com** has been recognized as a worldwide leader in the lighting industry for over 12 years. The company also offers unique multipurpose solar-powered rechargeable products that range from residential lighting to street lighting to emergency lighting products.

***** PLEASE CALL 811 BEFORE YOU BEGIN TO DIG*****

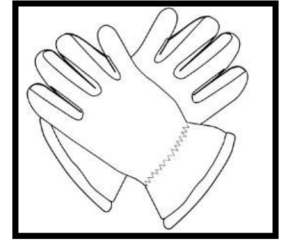
Every digging job requires a call – even small projects like planting trees or shrubs.

If you hit an underground utility line while digging, you can harm yourself or those around you, disrupt service to an entire neighborhood and potentially be responsible for fines and repair costs.

Smart digging means calling 811 before each job. Whether you are a homeowner or a professional excavator, one call to 811 gets your underground utility lines marked for FREE.

Installation Safety:

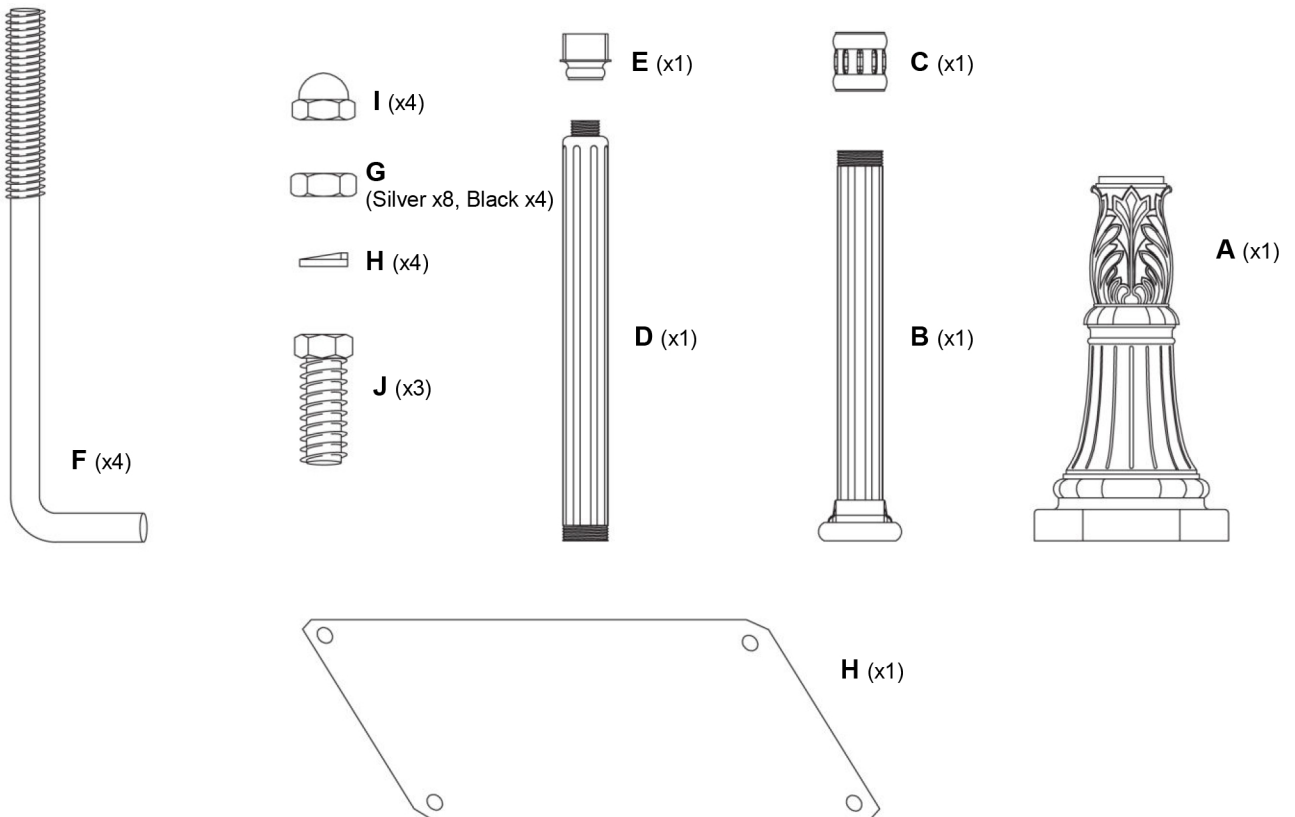
- Use Working Gloves, Safety Glasses.
- Make sure not to allow children be near during installation.
- Check stability of the Lamp post after installation is completed.



WORKING GLOVES

Read the instruction manual carefully to obtain the best results from your purchase.

Unpack and identify the following parts:



NOTE: Before installation check with a contractor what size of a concrete slab you need to pour.

NOTE: The following steps are for reference only. Consult your local hardware store for the best installation method for your particular surface.

Installation:

1. After pouring the concrete and while it is still wet, place one nut (G, silver) on each bolt (F) and screw it down to the end of the threading, place the plate (H) over the four bolts and sandwich the plate down with four more nuts (G, silver) (Fig.1). Submerge the bolts into the concrete but leave 2.75" exposed. There should be a gap between the plate (H) and the cement (FIG.2). Try to keep the threading clean so the bolts will go on easily after the cement is dry.
2. After the cement has cured, place the base (A) of the pole over the four bolts (F) and tighten them down with the four spring washers (H) and 4 nuts provided and for aesthetics (G, black). Then, screw on the four cap nuts (I) (Fig.3).
3. Place part (B) of the pole over part (A) and screwed down with three screws (J) that are provided.
4. Screw clockwise the connector part (C) on to part (B).
5. Screw clockwise Place part (D) of the pole over part (C).
6. Screw clockwise the 3 inch fitter connector part (E) over part (D).

