

# MAILBOX CLASSIC POST ASSEMBLY INSTRUCTIONS

Before installing your classic Whitehall mailbox post, consult your local branch of the US post office for road setback requirement and height from roadbed or curb. Post is designed for a 40" average height from ground to base of mailbox.

**A - Whitehall Mailbox - 1** (Sold Separately)

**B - 40" Classic Post - 1**

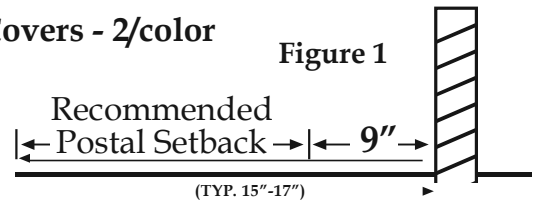
**C - 1/4" Lag Bolts - 2**

**D - Tube of Silicon Sealer - 1**

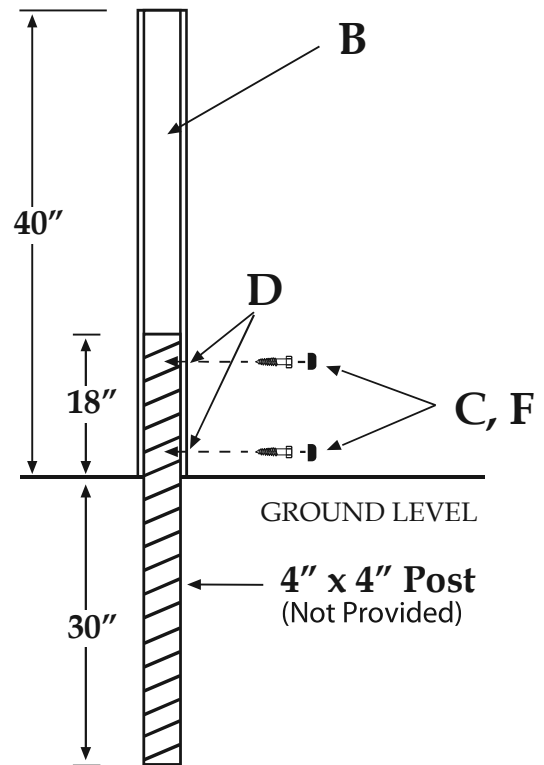
**E - 3/8-16 Pan Head Screw - 1**

**F - Plastic Lag Bolt Covers - 2/color**

- 1) Purchase a 4" x 4" x 48" piece of treated lumber from your local lumber yard or home center.
- 2) From post office recommended road setback line add 9" and mark position on ground for front edge of post. (See Figure 1)
- 3) Place the 4" x 4" post into the hole so that the face of the post is at the marked line (See step 2) leaving at least 18" out of the ground. (See Figure 2)
- 4) Partially backfill the hole around the post. Using a level make sure the post is vertical.
- 5) Complete the back fill of the post hole packing the earth firmly. Recheck for vertical and adjust if necessary, then repack soil.  
Note: For a more permanent installation you may use concrete mix to backfill the hole unless it is against local post office or county road commission guidelines.
- 6) Slide aluminum post (B) over the partially buried 4x4 with the two bolt holes positioned away from the road and the aluminum post resting on the ground. (See Figure 2)
- 7) Plumb the aluminum post to vertical and use 2 - 1/4" x 2" lag bolts provided (C) to secure aluminum post to treated post. (See Figure 2 - drilling pilot holes in the wood may be necessary)  
Please Note: Apply small amount of Silicon Sealer (D) in and around holes before securing the two bolts to the post.
- 8) Use the plastic lag bolt covers (F) of coordinating color to cover exposed log bolt once the silicone has dried.

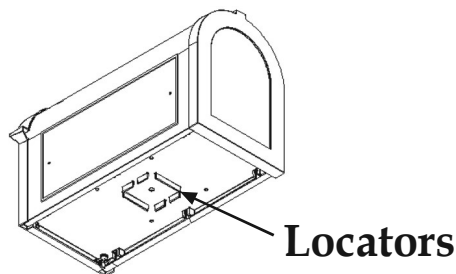


**Figure 2**



## Attaching your mailbox to the classic post:

- 1) Apply a small amount of Silicon Sealer (D) around the inside and outside of the center mounting hole of your Mailbox. (See Figure 3)
- 2) Set mailbox onto the post, positioning the locators on the base of the mailbox **INSIDE** the post.
- 3) Reach inside the mailbox and place the 3/8-16 pan head screw (E) in the large center hole in the base plate of the mailbox. (See Figure 3)
- 4) Thread in by hand and use a Philips head screwdriver to tighten the box to the post.



**Figure 3**

