

Oct. 10, 1961

D. PATTERSON

3,003,276

FLUTTERING TYPE ARTIFICIAL LURE

Filed Feb. 26, 1959

Fig. 1

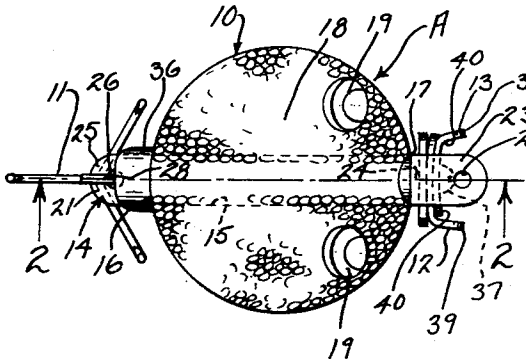


Fig. 2

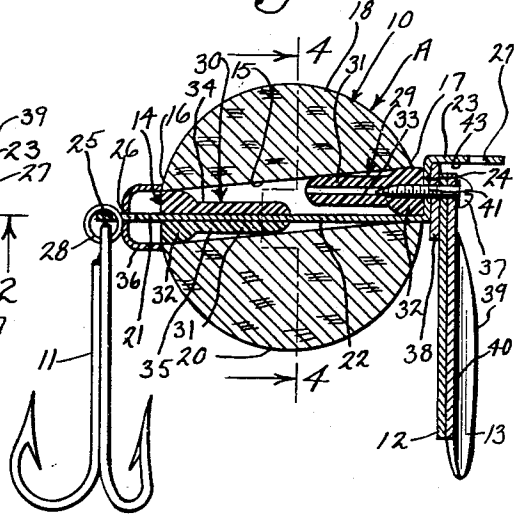


Fig. 3

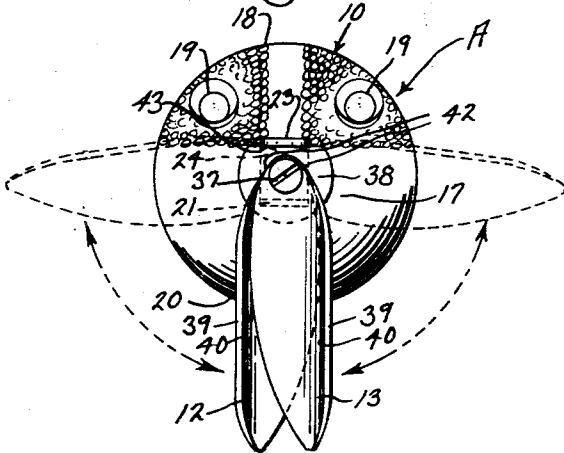
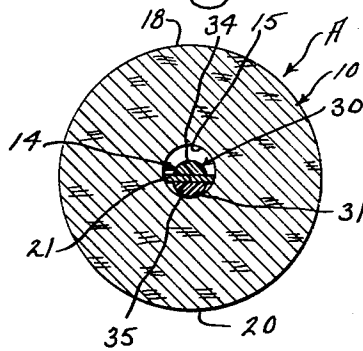


Fig. 4



INVENTOR
DELBERT PATTERSON

BY *Wright & Wright*

ATTORNEYS