

Oct. 22, 1935.

C. A. JOHNSON

2,017,903

ARTIFICIAL FISHING BAIT

Filed Jan. 31, 1935

2 Sheets-Sheet 1

Fig. 1

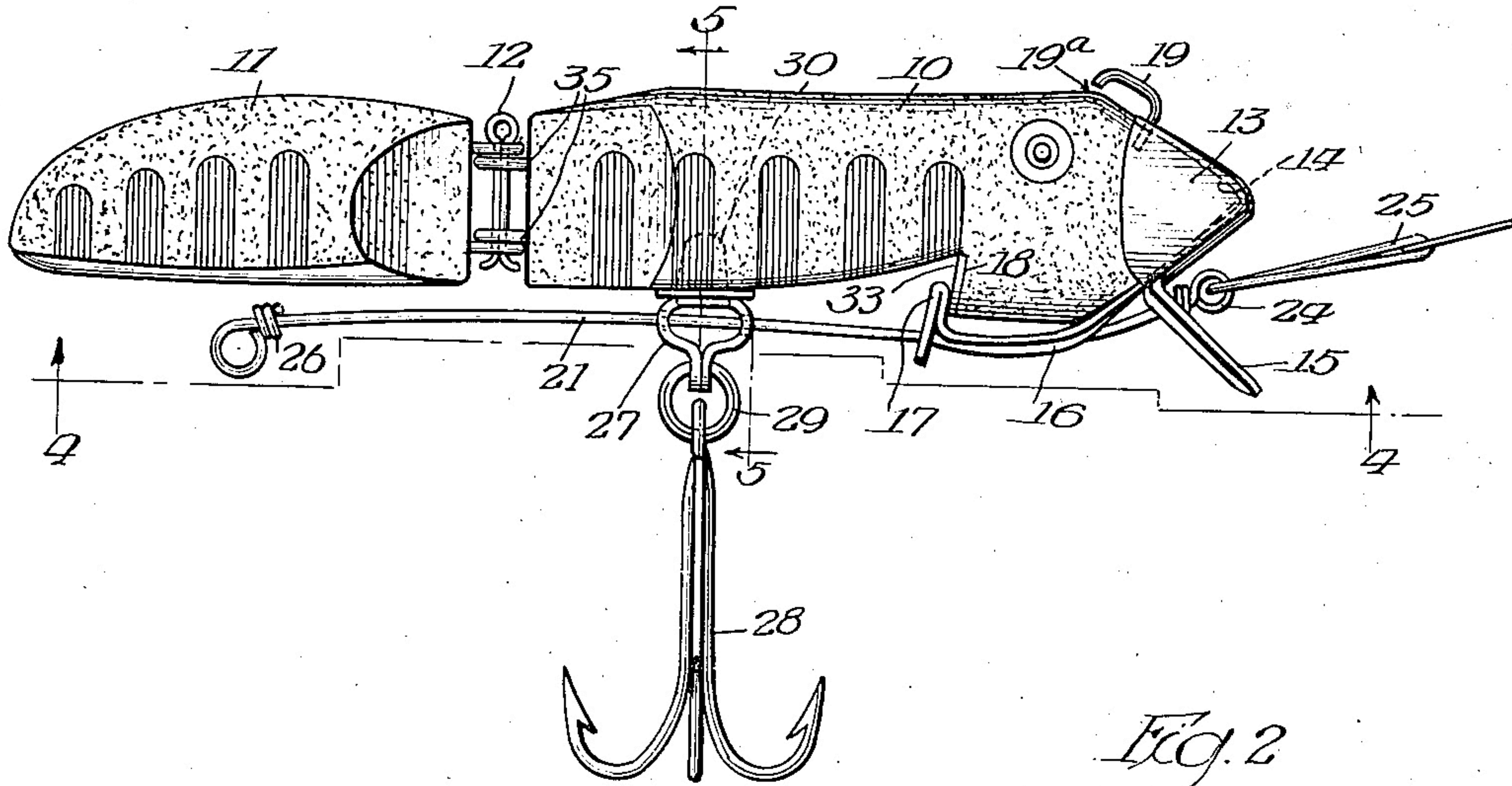
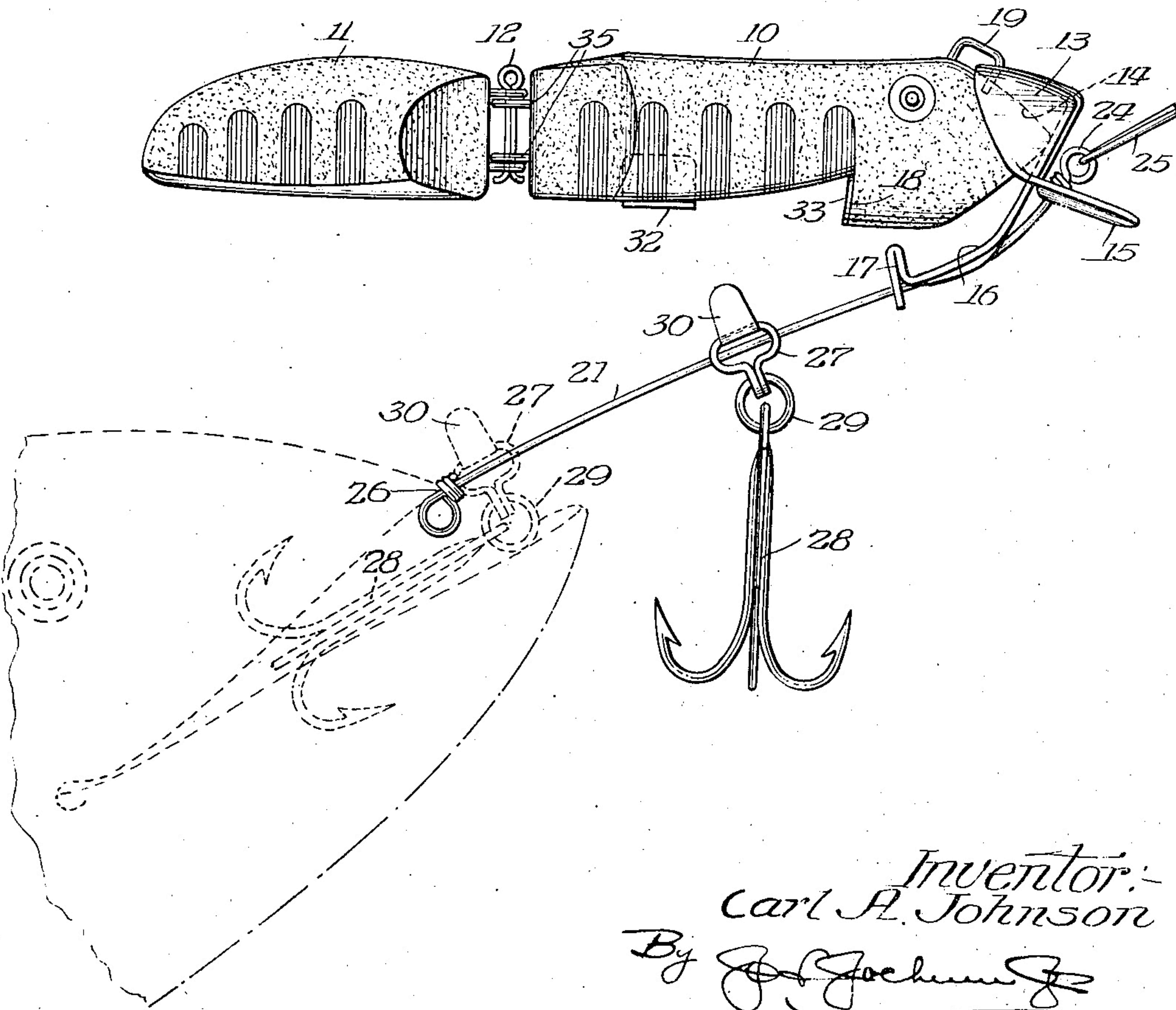


Fig. 2



Inventor:-
 Carl A. Johnson
 By *J. Gochman*
 Atty

Oct. 22, 1935.

C. A. JOHNSON
ARTIFICIAL FISHING BAIT

2,017,903

Filed Jan. 31, 1935

2 Sheets-Sheet 2

Fig. 3

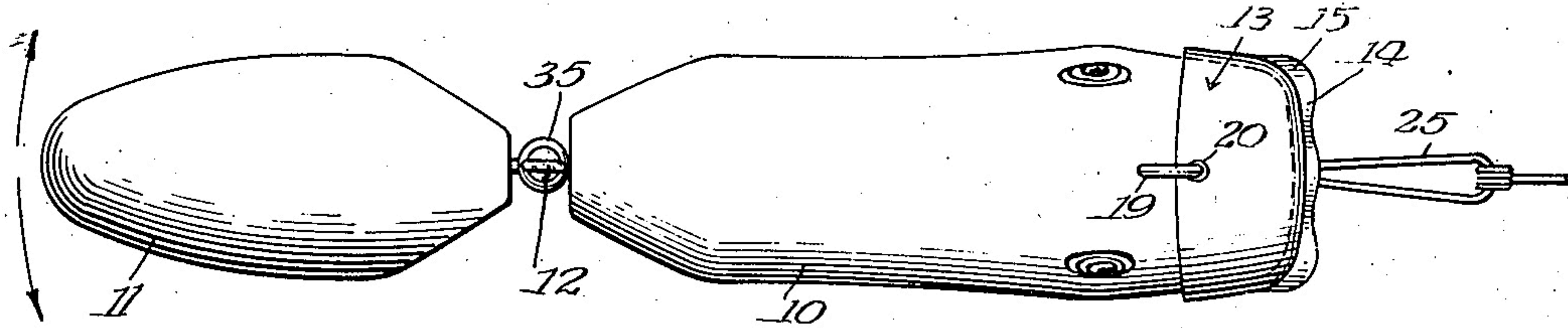


Fig. 4

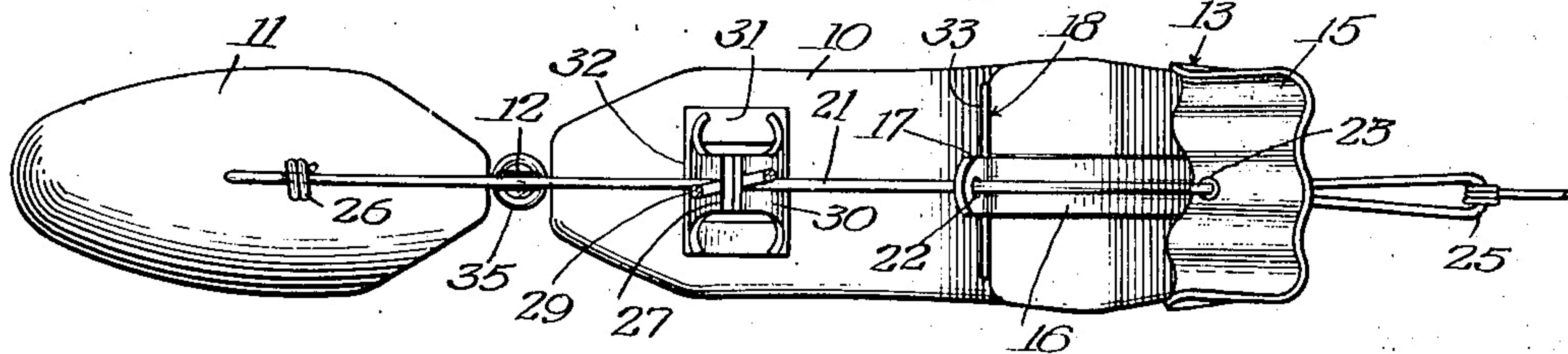


Fig. 6

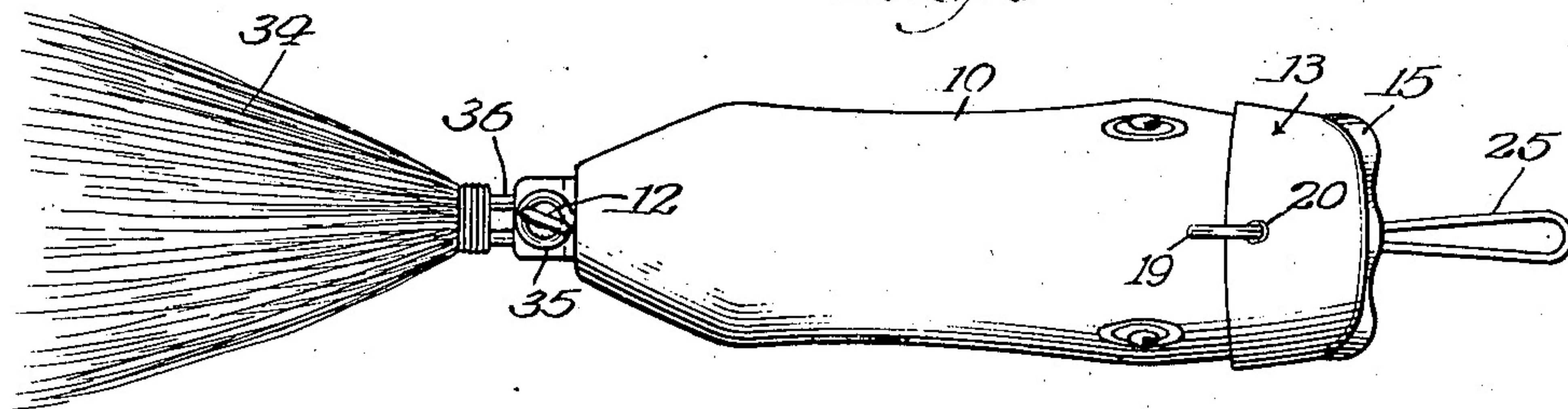


Fig. 7

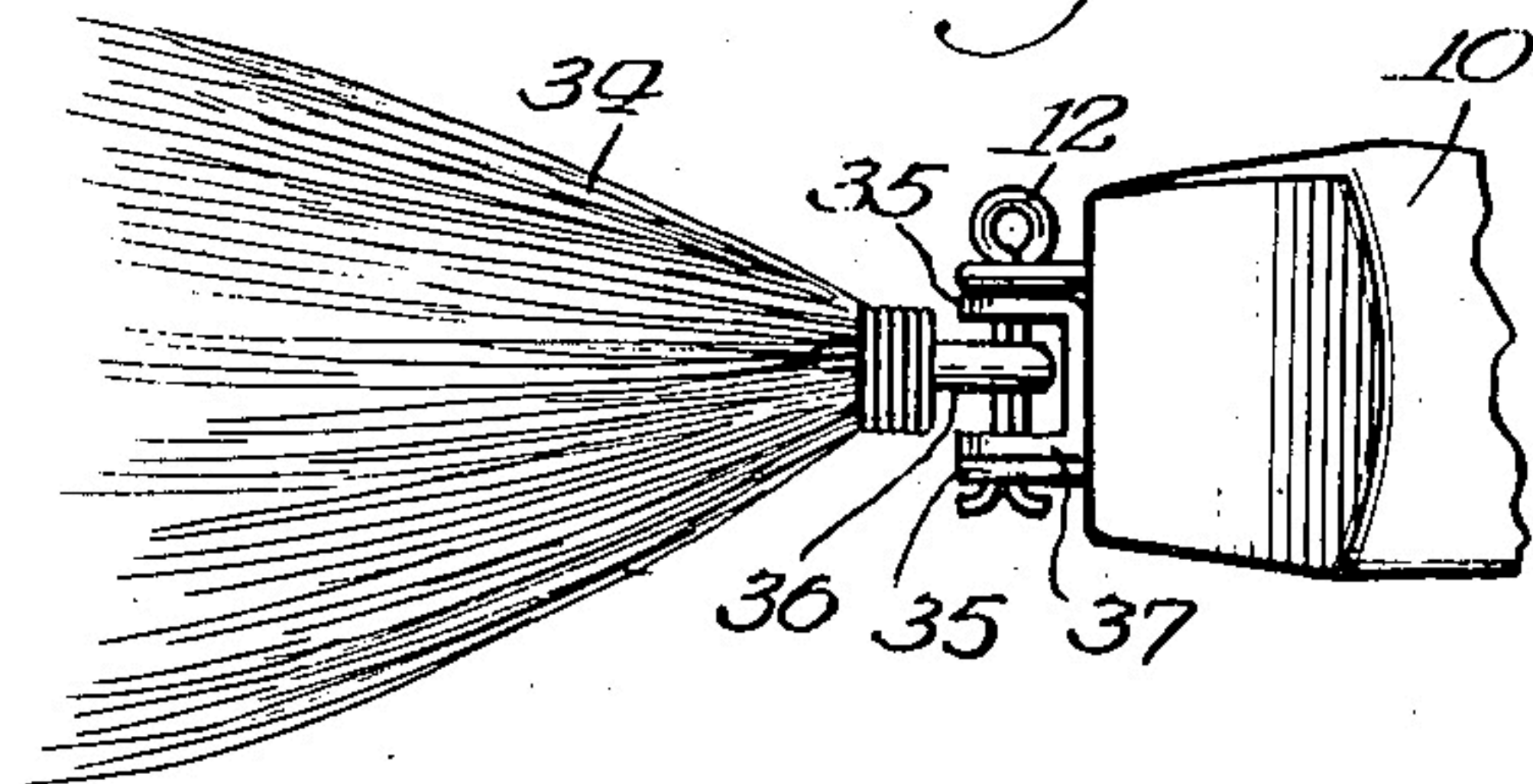
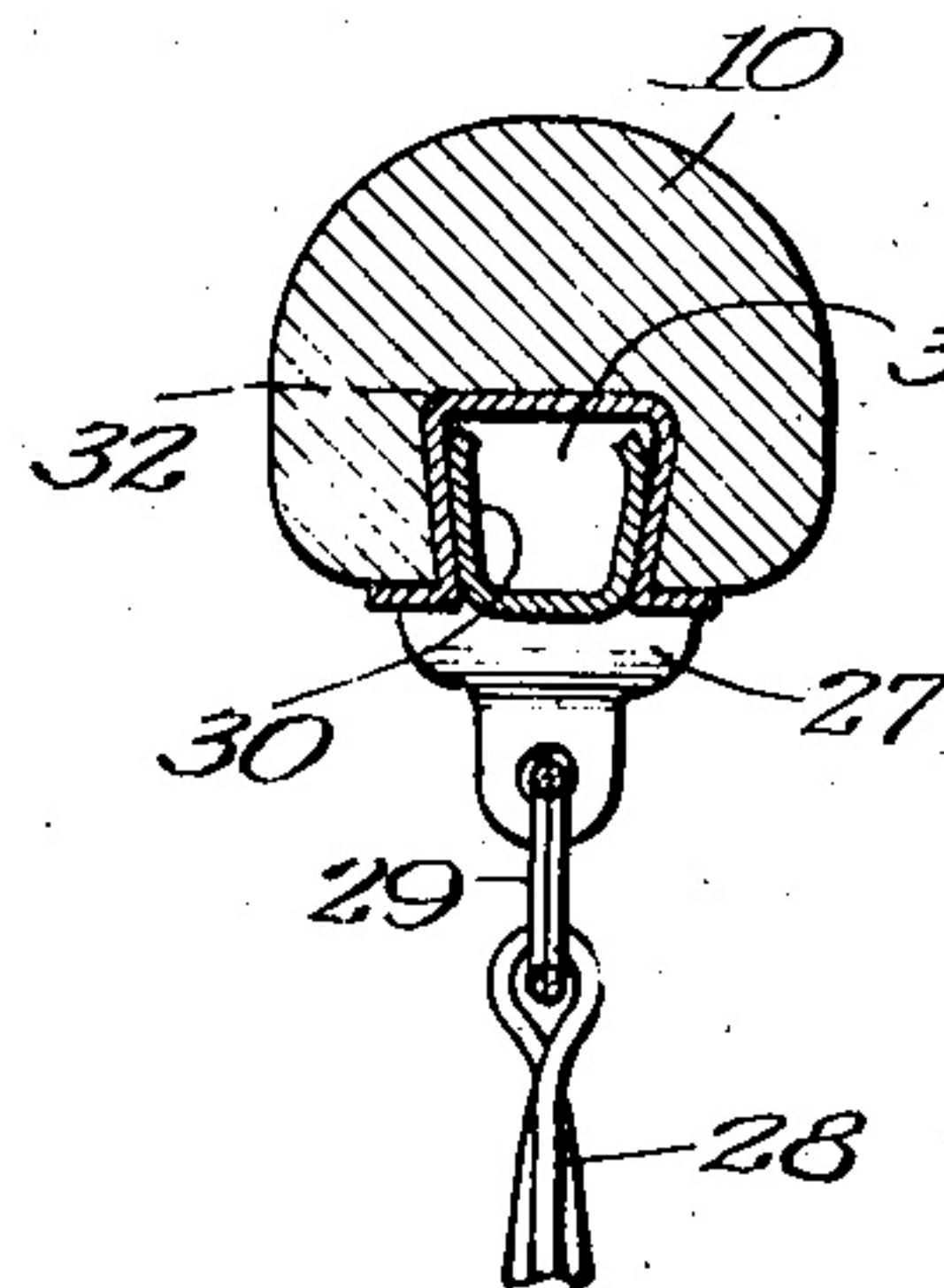


Fig. 5



Inventor
Carl A. Johnson

By *[Signature]* Atty