

Nov. 18, 1952

J. B. HINKLE

2,618,092

LURE OR BAIT

Filed March 30, 1949

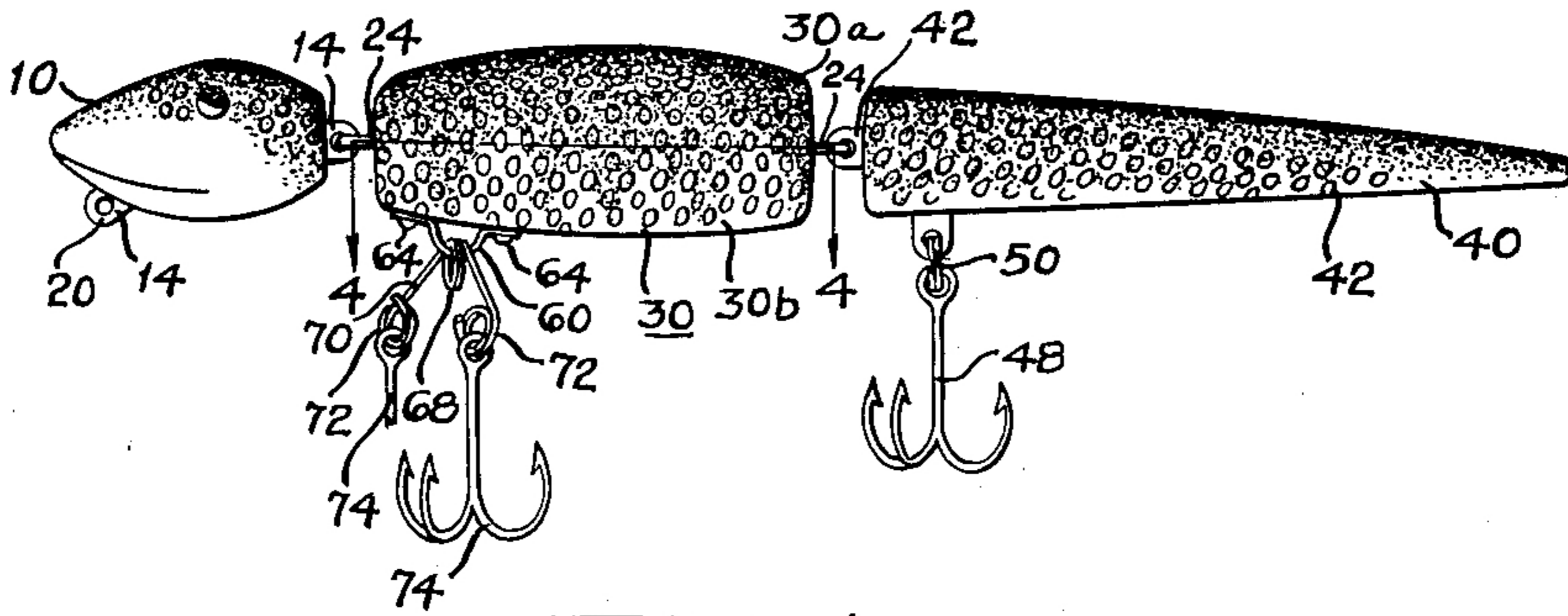


FIG. 1.

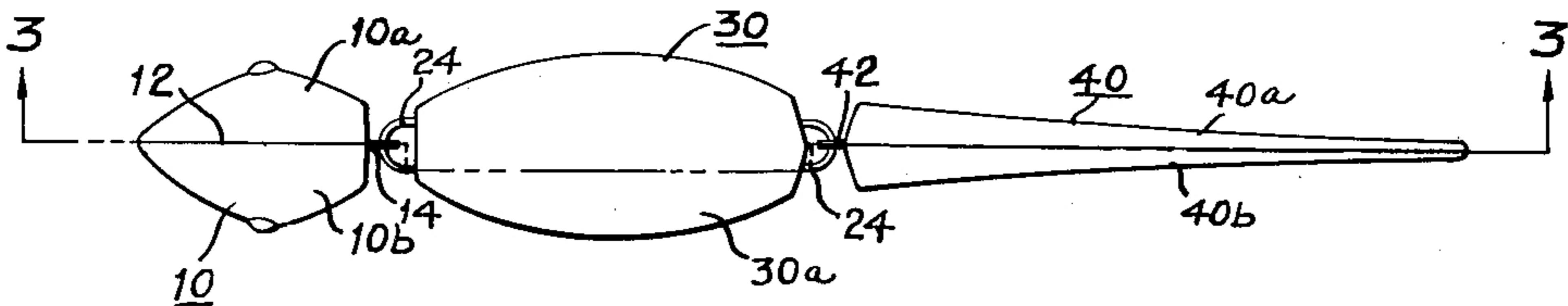


FIG. 2.

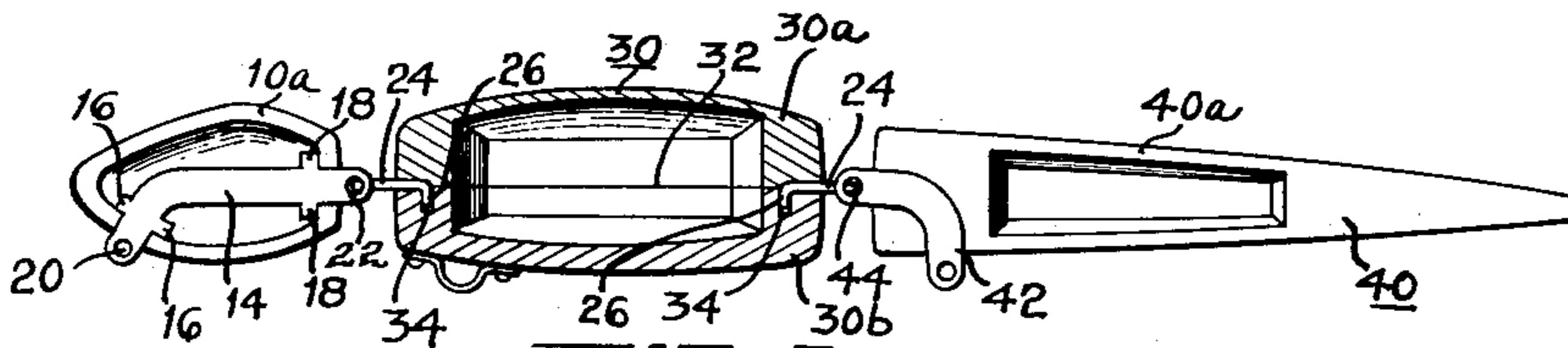


FIG. 3.

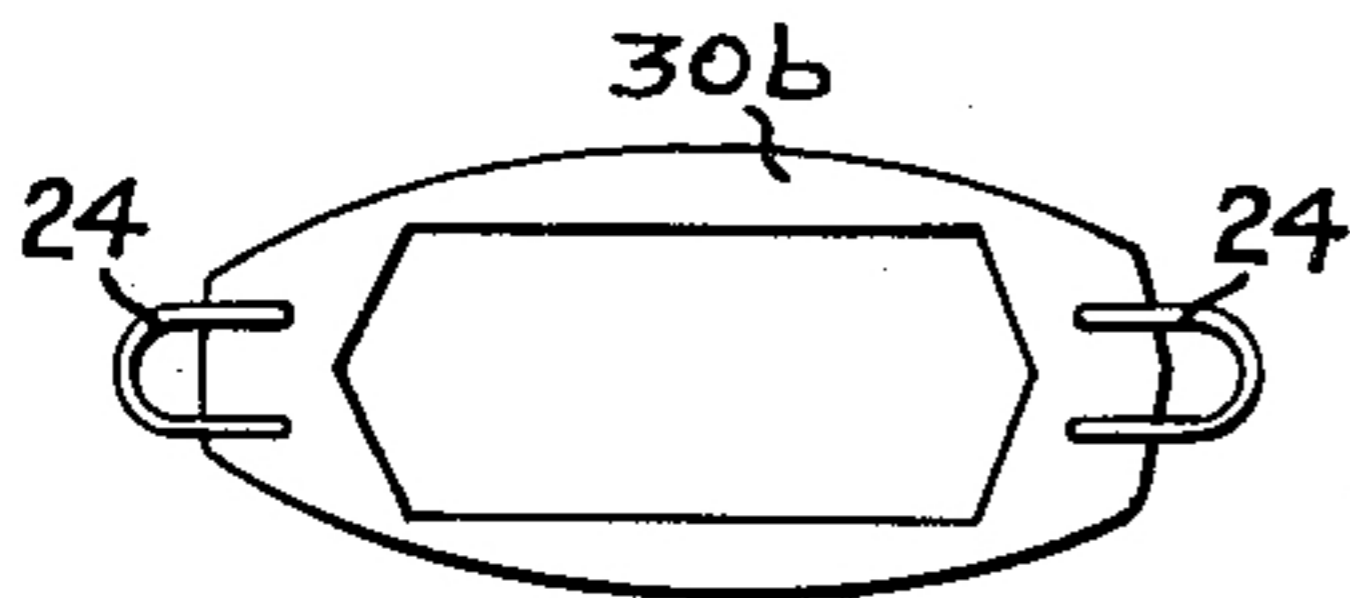


FIG. 4.

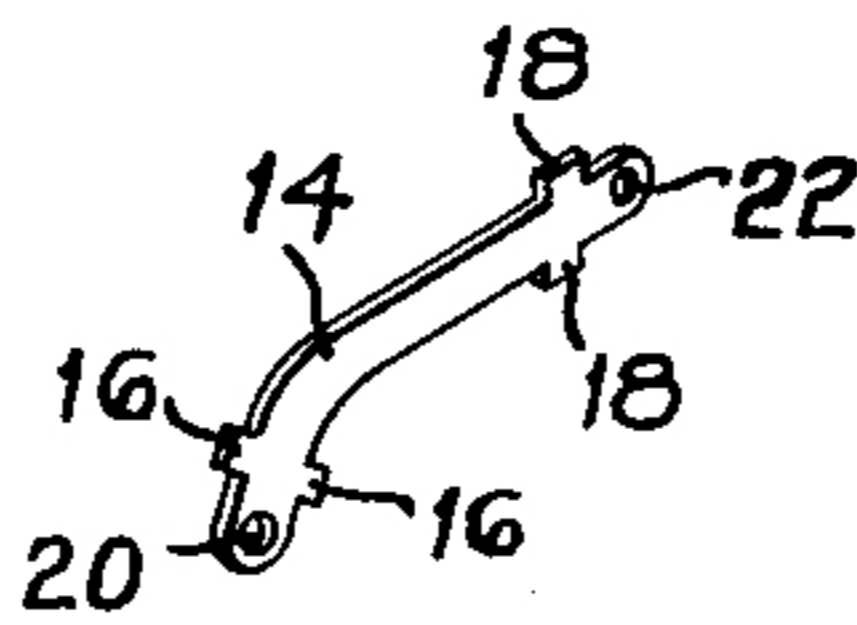


FIG. 5.

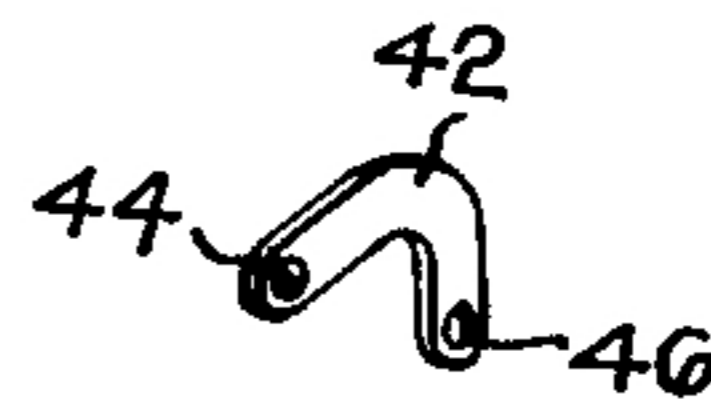


FIG. 6.

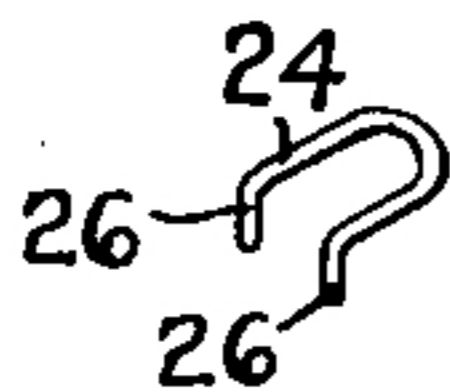


FIG. 7.

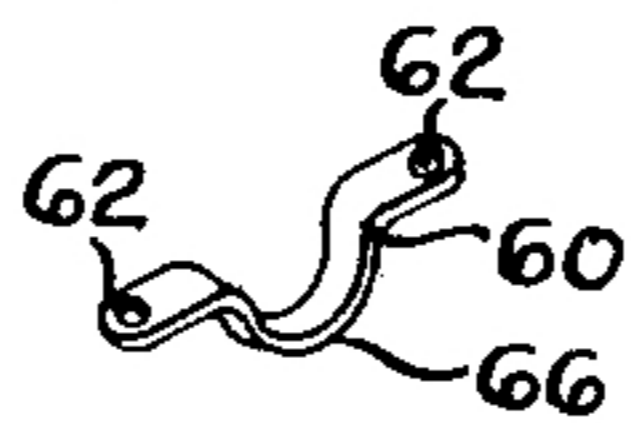


FIG. 8.

INVENTOR.  
JOSEPH B. HINKLE

BY *Dybvig & Dybvig*

HIS ATTORNEYS