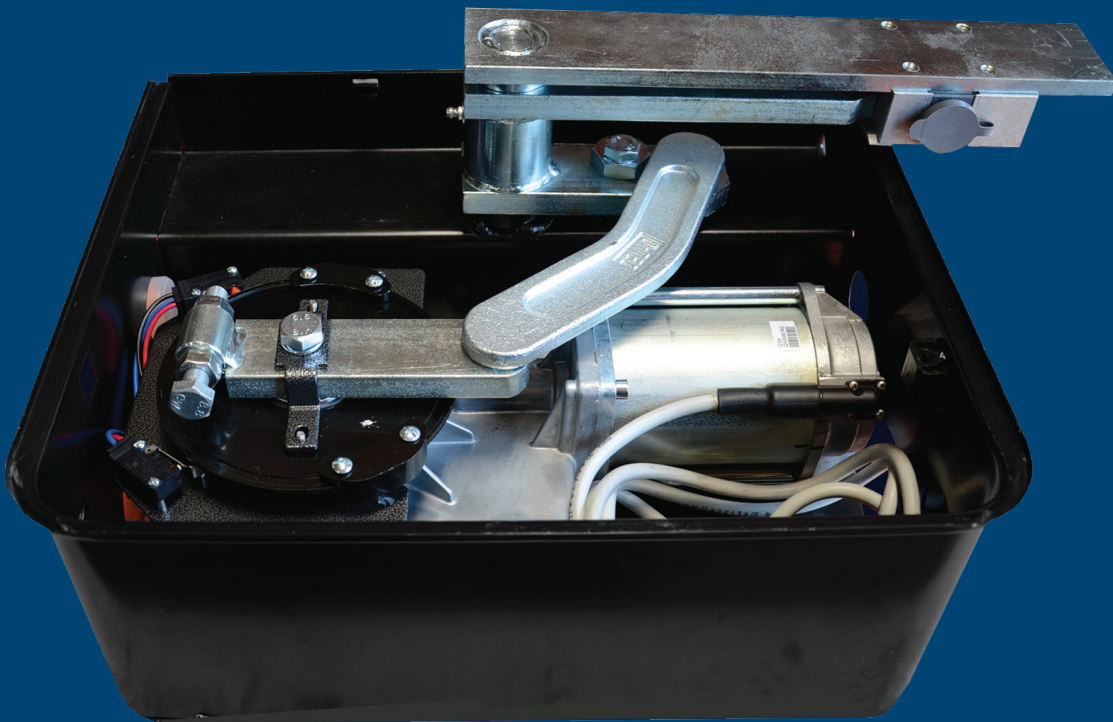


UGP-712

Vehicular swing gate operator

INSTALLATION INSTRUCTION MANUAL



PLATINUM ACCESS SYSTEMS™

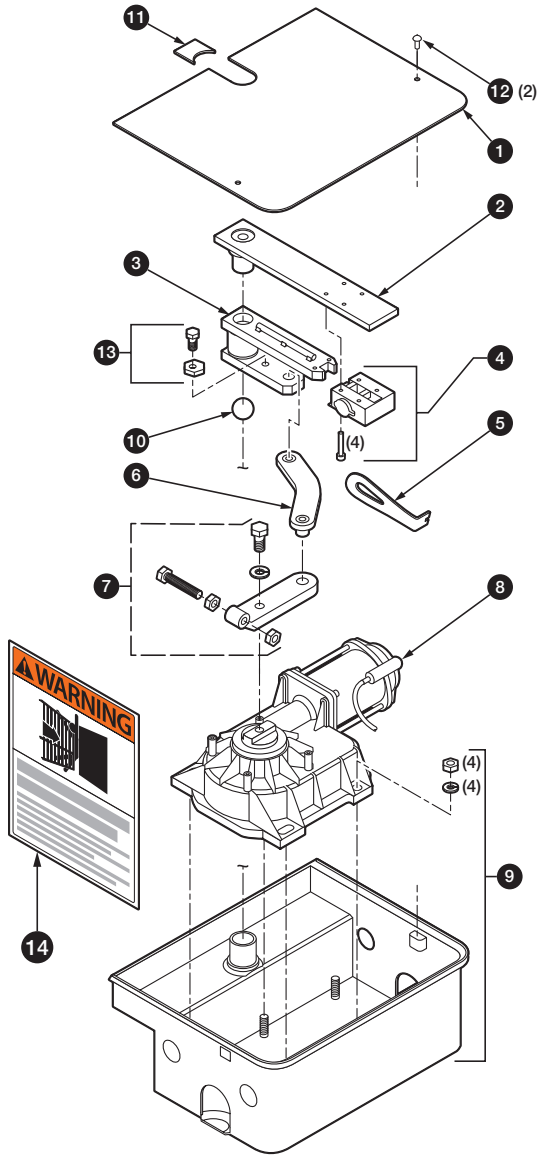
UGP-712

Vehicular Swing Gate Operator

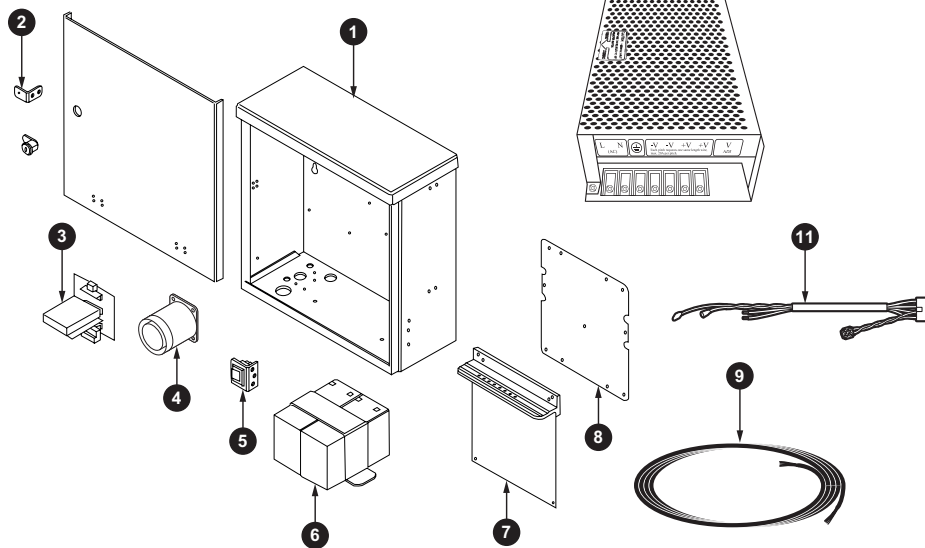
Class I, Class II, Class III, and Class IV

TABLE OF CONTENTS

Parts Diagram	2
Important Safety Instructions.....	3
Protection Against Entrapment	4
Use and Application	5-6
Gate Operator Class Categories and Examples	7
Mounting Instructions.....	8
Manual Release Instructions	9
Mounting Instructions.....	10-15
Edge Sensor (Contact Sensor) Installation	16
Important Safety Instructions.....	17
Maintenance Instructions	18
Types of Installations.....	19
Installation: Electronic Controller Mounting	20
Electrical Installation	21
Installation: Primary/Secondary Connections	22
Installation: Loop Rack	23
Installation: Selectable Features	24-25
Installation: Selectable Features & Solar Installation.....	26
Installation: Selectable Features	27
Installation: Accessory Connections.....	28-31
Troubleshooting	32



- 1. Cover
- 2. Gate Attachment
- 3. Intermediate Drive Arm
- 4. Manual Release Mechanism
- 5. Manual Release Key
- 6. Secondary Drive Arm
- 7. Primary Drive Arm with Hardware
- 8. Gearmotor Assembly
- 9. Casing with Hardware
- 10. Ball Bearing
- 11. Plastic Gap Filler
- 12. Cover Holder Hardware
- 13. Positive Stop Hardware Open
- 14. Warning Placard



- 1. ECU Box (Industrial)
- 2. ECU Cylinder & Access
- 3. Loop Detector Board
- 4. Alarm
- 5. Reset Switch
- 6. Battery
- 7. Control Board GOC-4000
- 8. Control Board Bracket
- 9. 7-Conductor Cable, 16 ga.
- 10. Switching Power Supply
- 11. Power Harness



WARNING: to reduce the risk of injury or death:

1. READ AND FOLLOW ALL INSTRUCTIONS.
2. Never let children operate or play with gate controls. Keep the remote control away from children.
3. Always keep people and objects away from the gate. NO ONE SHOULD CROSS THE PATH OF THE MOVING GATE.
4. Test the gate operator monthly. The gate MUST reverse on contact with a rigid object or stop when an object activates the non-contact sensors. After adjusting the force or the limit of travel, retest the gate operator. Failure to adjust and retest the gate operator properly can increase the risk of injury or death.
5. Use the emergency release only when the gate is not moving.
6. KEEP GATES PROPERLY MAINTAINED. Read the owner’s manual. Have a qualified service person make repairs to gate hardware.
7. The entrance is for vehicles only. Pedestrians must use separate entrance.
8. SAVE THESE INSTRUCTIONS

SPECIFICATIONS

Maximum Gate Weight:	700 lbs.
Maximum Gate Length:	12 feet
Opening Time:	90° opening in 16-21 seconds
Maximum Opening Angle:	110°
Power Requirements:	120 VAC Single Phase at 2 Amps or 220 VAC Single Phase at 1 Amp
Main Power:	Power Input: 100-240 VAC Select 115 /230 VAC Single Phase Built-in 24VDC battery backup (7AmpHr 12VDC x 2)
Operating Temperature:	-20°C (-4°F) to 70°C (158°F)

Usage Class	Gate Operator Category			
	Horizontal Slide, Vertical Lift, and Vertical Pivot		Swing and Vertical Barrier (Arm)	
	Primary type*	Secondary Type*	Primary Type*	Secondary Type*
Vehicular I and II	A	B1, B2, or D	A, or C	B1, B2, C, or D
Vehicular III	A, B1, or B2	A, B1, B2, D, or E	A, B1, B2, or C	A, B1, B2, C, D, or E
Vehicular IV	A, B1, B2, or D	A, B1, B2, D, or E	A, B1, B2, C, or D	A, B1, B2, C, D, or D

Note - The same type of device shall not be utilized for both the primary and the secondary entrapment protection means. Use of a single device to cover both the opening and closing directions is in accordance with the requirement; however, a single device is not required to cover both directions. A combination of one Type B1 for one direction and one Type B2 for the other direction is the equivalent of one device for the purpose of complying with the requirements of either the primary or secondary entrapment protection areas.

^aEntrapment Protection Types:

Type A: Inherent entrapment protection system.

Type B1: Provision for connection of, supplied with, a non-contact sensor (photoelectric sensor or the equivalent).

Type B2: Provision for connection of, or supplied with, a contact sensor (edge device or the equivalent)

Type C: Inherent adjustable clutch or pressure relief device.

Type D: Provision for connection of, or supplied with, an actuating device requiring continuous pressure to maintain opening or closing motion of the gate.

Type E: An audio alarm.

THE MODEL UGP-712 IS INTENDED FOR CLASS I AND CLASS II (RESIDENTIAL/LIGHT COMMERCIAL) UP TO 10 UNITS USAGE ON A VEHICULAR SWING GATE APPLICATION.

- a) Install the gate operator only when:
 - 1) The operator is appropriate for the construction of the gate and the usage Class of the gate,
 - 2) All exposed pinch points are eliminated or guarded.
- b) The operator is intended for installation only on gates used for vehicles. Pedestrians must be supplied with a separate access opening. The pedestrian access opening shall be designed to promote pedestrian usage. Locate the gate such that persons will not come in contact with the vehicular gate during the entire path of travel of the vehicular gate.
- c) The gate must be installed in a location so that enough clearance is supplied between the gate and adjacent structures when opening and closing to reduce the risk of entrapment. Swinging gates shall not open into public access areas.
- d) The gate must be properly installed and work freely in both directions prior to the installation of the gate operator. Do not over-tighten the operator clutch or pressure relief valve to compensate for a damaged gate.
- e) For gate operators utilizing Type D protection:
 - 1) The gate operator controls must be placed so that the user has full view of the gate area when the gate is moving,
 - 2) The placard equivalent to the following: "To reduce the risk of electric shock the operator power is to be provided from a weatherproof outlet in the case of attachment plug connection or weatherproof junction box in the case of permanent wiring according to the National Electrical Code, NFPA 70." shall be placed adjacent to the controls,
 - 3) An automatic closing device (such as a timer, loop sensor, or similar device) shall not be employed, and
 - 4) No other activation device shall be connected.
- f) Controls intended for user activation must be located at least six feet (6') away from any moving part of the gate and where the user is prevented from reaching over, under, around or through the gate to operate the controls. Outdoor or easily accessible controls shall have a security feature to prevent unauthorized use.
- g) The Stop and/or Reset button must be located in the line-of-sight of the gate. Activation of the reset control shall not cause the operator to start.
- h) A minimum of two (2) WARNING SIGNS shall be installed, one on each side of the gate where easily visible.

i) For gate operators utilizing a non-contact sensor:

- 1) See instructions on the placement of non-contact sensors for each Type of application,
- 2) Care shall be exercised to reduce the risk of nuisance tripping, such as when a vehicle, trips the sensor while the gate is still moving, and
- 3) One or more non-contact sensors shall be located where the risk of entrapment or obstruction exists, such as the perimeter reachable by a moving gate or barrier.

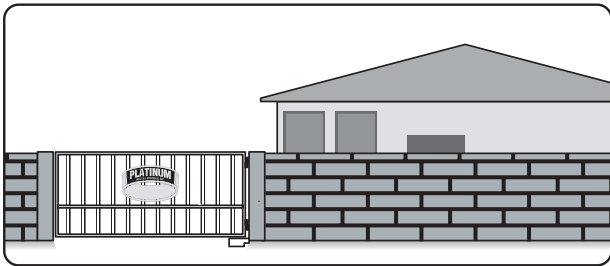
j) For a gate operator utilizing a contact sensor:

- 1) One or more contact sensors shall be located where the risk of entrapment or obstruction exists, such as at the leading edge, trailing edge, and post mounted both inside and outside of a vehicular horizontal slide gate.
- 2) One or more contact sensors shall be located at the bottom edge of a vehicular vertical lift gate.
- 3) One or more contact sensors shall be located at the pinch point of a vehicular vertical pivot gate.
- 4) A hardwired contact sensor shall be located and its wiring arranged so that the communication between the sensor and the gate operator is not subjected to mechanical damage.
- 5) A wireless device such as one that transmits radio frequency (RF) signals to the gate operator for entrapment protection functions shall be located where the transmission of the signals are not obstructed or impeded by building structures, natural landscaping or similar obstruction. A wireless device shall function under the intended end-use conditions.
- 6) One or more contact sensors shall be located on the inside and outside leading edge of a swing gate. Additionally, if the bottom edge of a swing gate is greater than 6 inches (152 mm) above the ground at any point in its arc of travel, one or more contact sensors shall be located on the bottom edge.
- 7) One or more contact sensors shall be located at the bottom edge of a vertical barrier (arm).

READ AND FOLLOW ALL INSTRUCTIONS MANUAL BEFORE ATTEMPTING ANY INSTALLATION

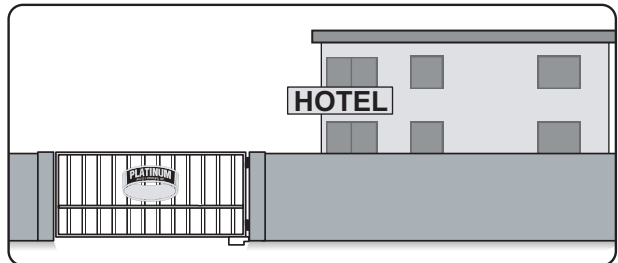
RESIDENTIAL VEHICULAR GATE OPERATOR CLASS I

A vehicular gate operator (or system) intended for use in a home of one-to four single family dwelling, or a garage or parking area associated therewith.



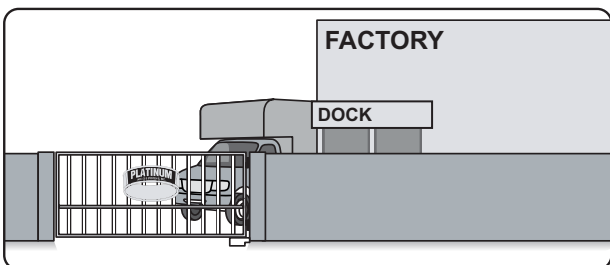
COMMERCIAL/GENERAL ACCESS VEHICULAR GATE OPERATOR CLASS II

A vehicular gate operator (or system) intended for use in a commercial location or building such a multi-family housing unit (five or more single family units), hotel, garages, retail store, or other building servicing the general public.



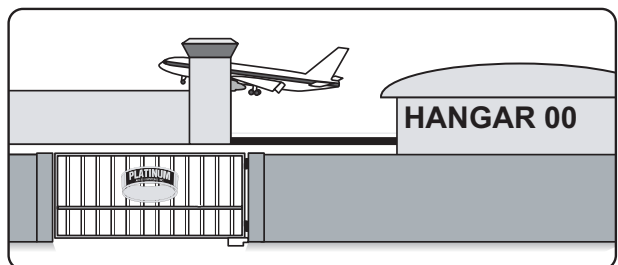
INDUSTRIAL/LIMITED ACCESS VEHICULAR GATE OPERATOR CLASS III

A vehicular gate operator (or system) intended for use in an industrial location or building such as a factory or loading dock area or other locations not intended to service the general public.



RESTRICTED ACCESS VEHICULAR GATE OPERATOR CLASS IV

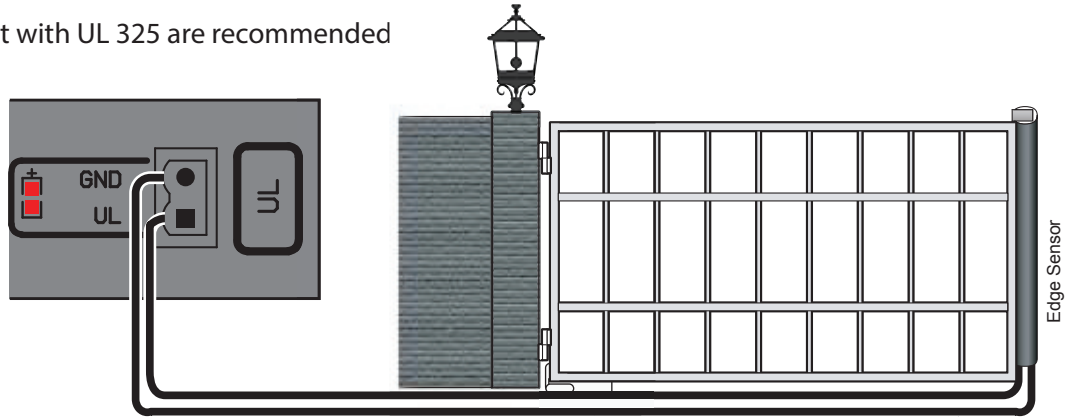
A vehicular gate operator (or system) intended for use in a guarded industrial location or building such as an airport security area or other restricted access locations not servicing the general public, in which unauthorized access is prevented via supervision by security personnel.



NOTE: This type of installation DOES NOT reverse the gate all the way back to its limits when the sensors are obstructed. This is only to protect against entrapment and to comply with UL325.

CONTACT SENSOR INSTALLATION:

Only sensors compliant with UL 325 are recommended

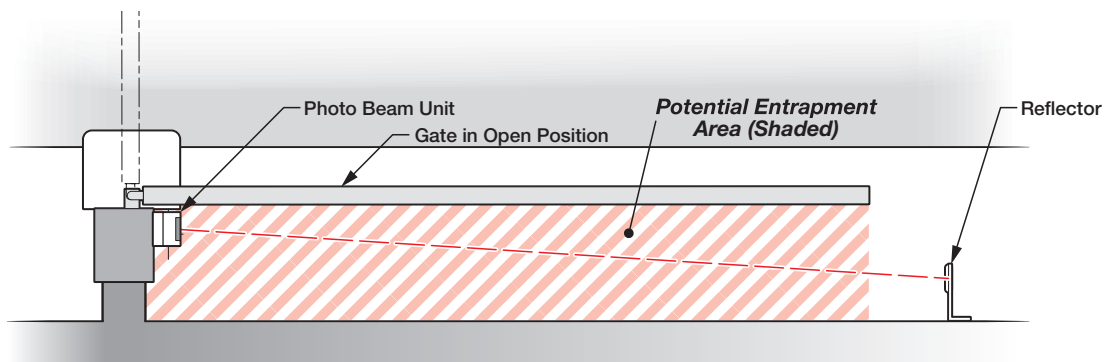
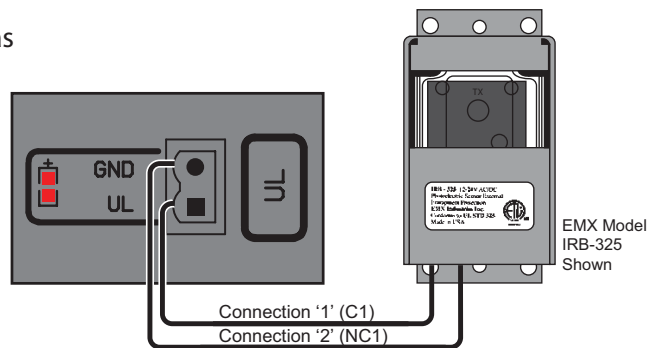


NON-CONTACT SENSORS (PHOTOELECTRIC SENSORS) INSTALLATION:

Use one or more non-contact sensors shall be located where the risk of entrapment or obstruction exists, such as the perimeter reachable by a moving gate or barrier.

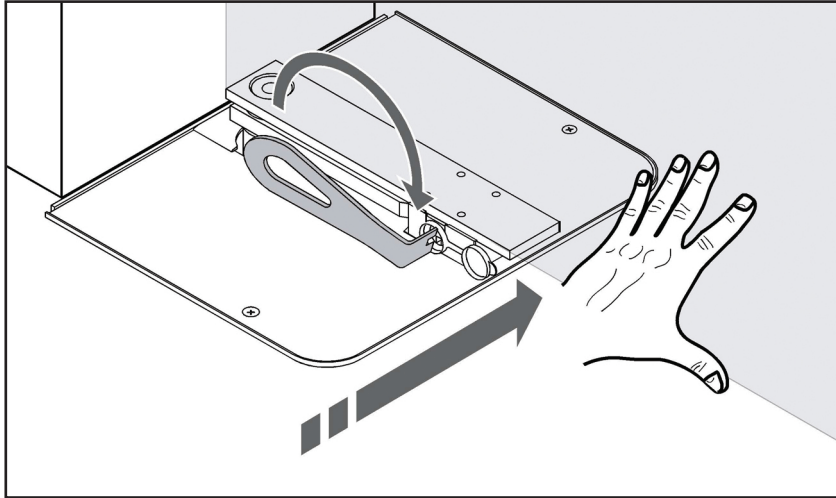
Install photoelectric sensors to protect against any entrapment or safety conditions encountered in your gate application.

We recommend the use of EMX IRB-325 photoeyes to comply with UL325.



One or more non-contact sensors shall be located where the risk of entrapment or obstruction exists, such as the perimeter reachable by a moving gate or barrier.

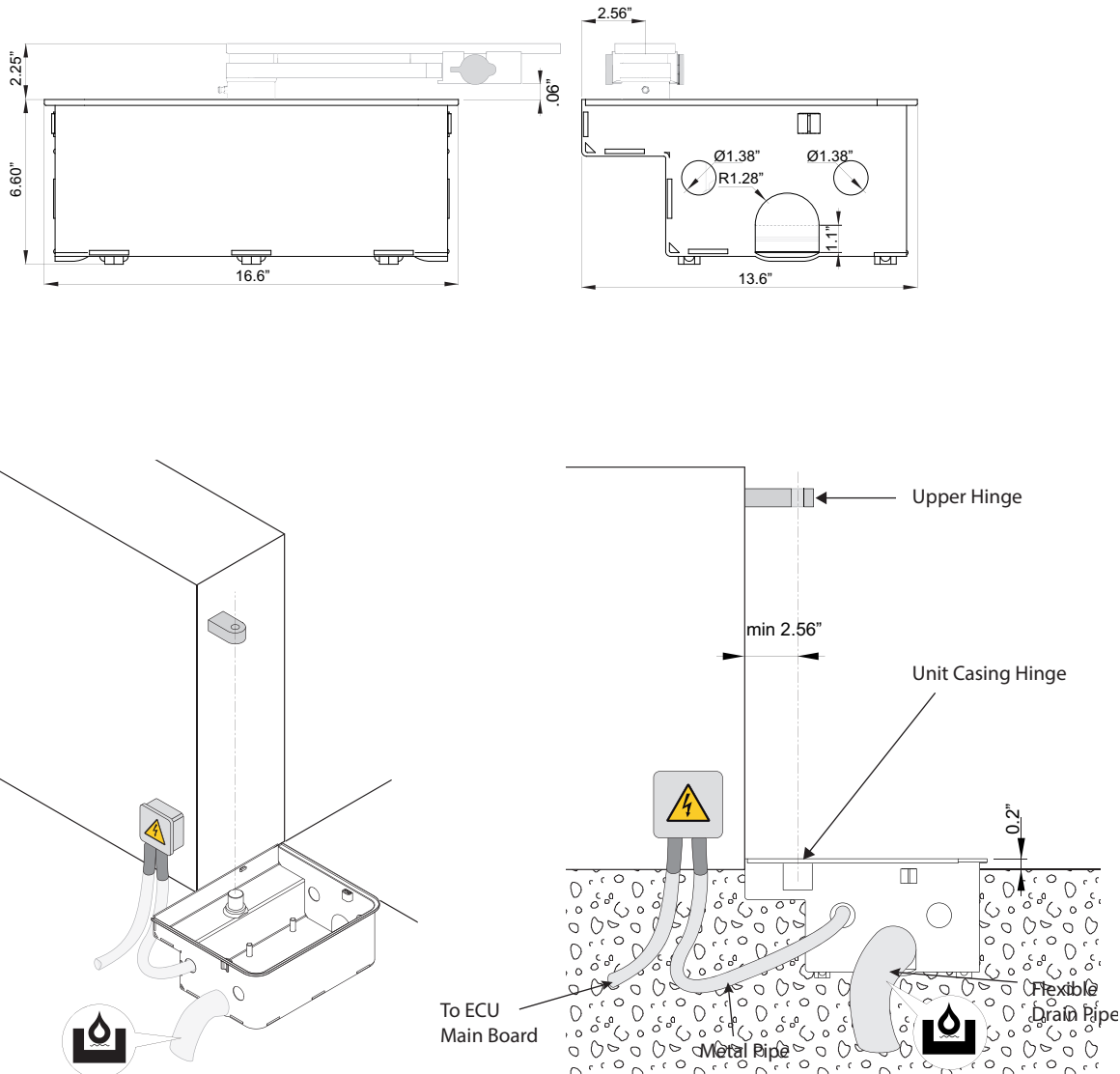
Consult the installation manual for the UL325 device (photo beam or like) for detail information about the usage, installation and maintenance

MANUAL RELEASE INSTRUCTIONS**In the event of failure or if there is no voltage:**

CUBIC6SBL: Insert the lock release key in the lock and rotate by 180°. Release any electric lock. Manually open the gate.

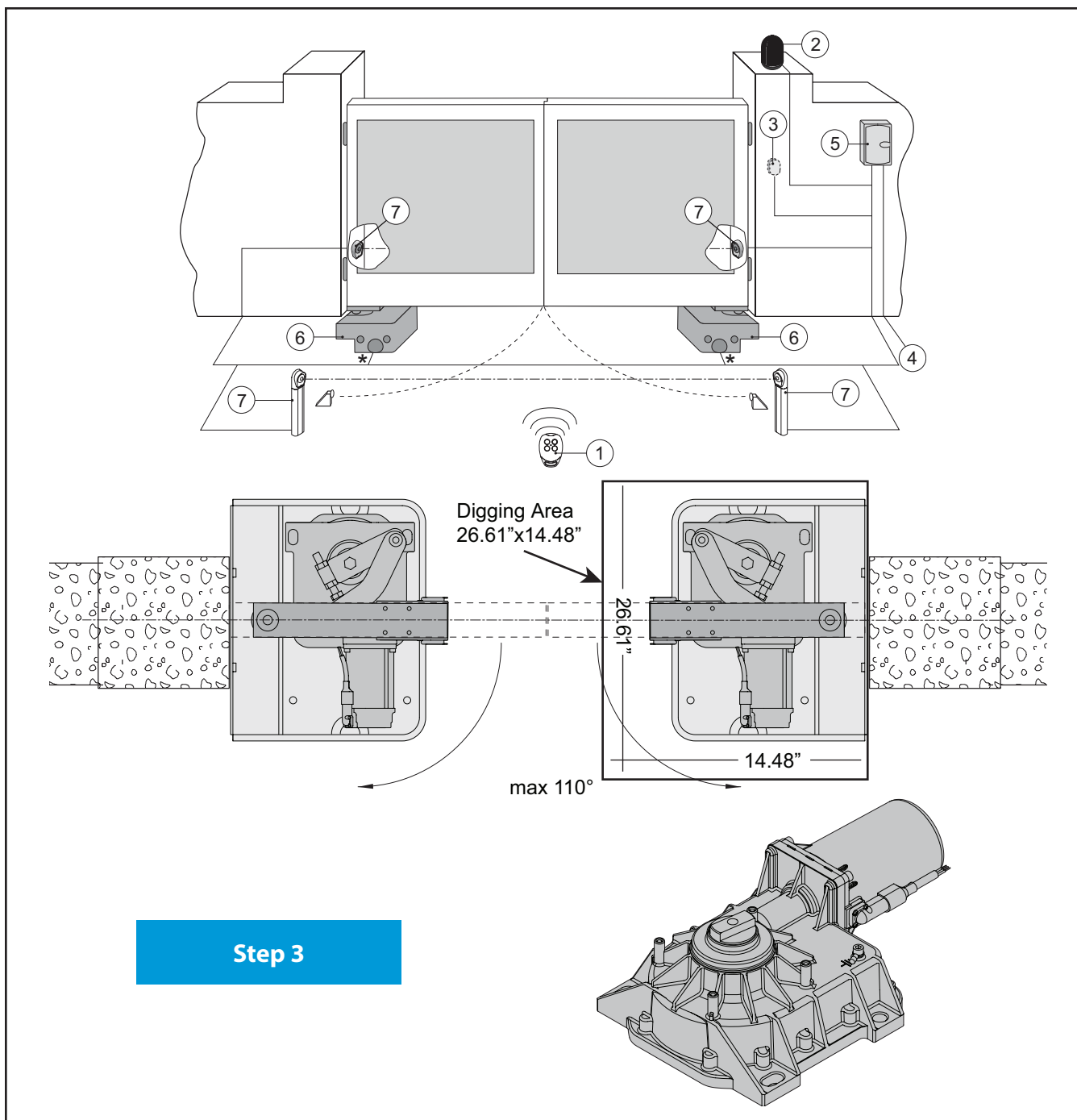
To block the door wings again: rotate the lock release lever or key by 180°. Move the door wing manually until it is completely reattached.

Step 1, 2, 3, 4, 5, 6, 7, 8



STEP 1. Make sure the center of the upper hinge is 2.56" from the surface of the mounting pole. Weld it and secured it in place.

STEP 2. Mark the center line for the unit that you are going to install. The line should be from the center surface of the mounting pole. This line should be perpendicular to the mounting pole surface and the center of the upper hinge should point directly perpendicular to this line.



STEP 3. Drawing the area that you need to put the unit. The Area should be at least 26.61" X 14.48" that measure from the mounting surface of the mounting pole.

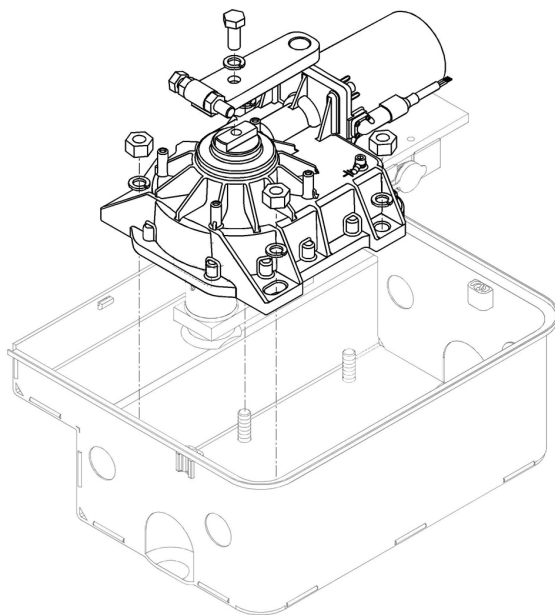
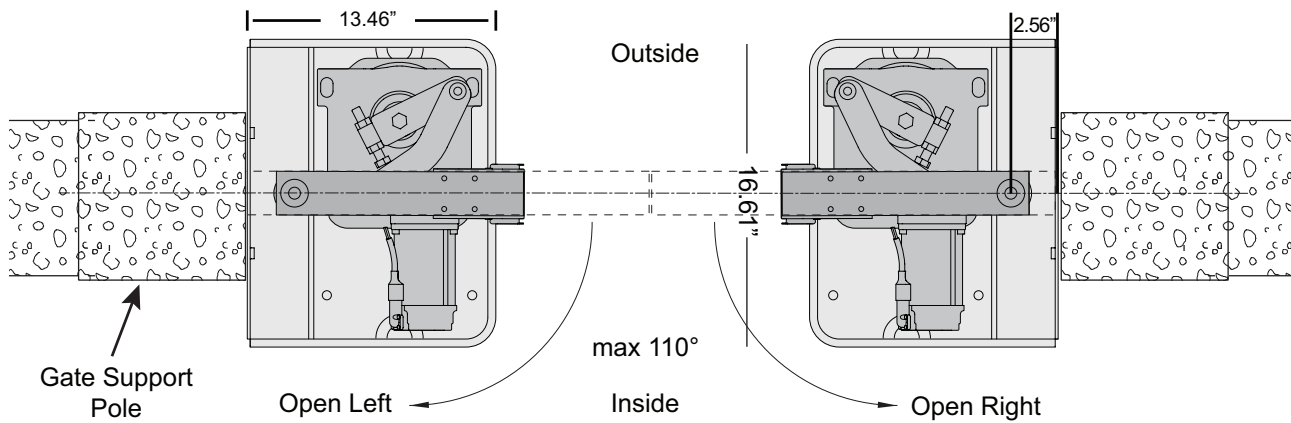
STEP 4. Starting to remove the concrete, or dirt to place the unit. Make sure the unit sits level and the lower hinge center point is aligned with the upper hinge center point.

STEP 5. Connect a metal pipe from the unit chassis to the junction box that can put on the mounting pole. It is a good practice to put the junction box high enough to prevent water get into inside the box in a storm season.

STEP 6. Put on a flexible drain pipe from the unit chassis to where it can drain the water. Make sure the pipe has the proper angle to let water flow out from the chassis to outside of the chassis to prevent water accumulating inside of the chassis.

STEP 7. Double check the chassis is level in all direction. Check it with the I-Beam Level to make sure the chassis is level. Double check the upper hinge center point is aligned with the hinge point on the chassis.

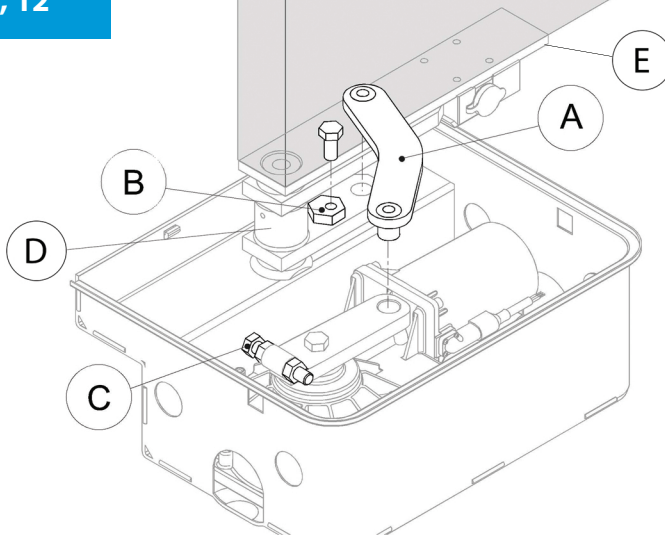
STEP 8. Start putting the concrete to fill the area around the chassis. The top surface of the concrete should be 0.2" below the top edge of the the chassis. Double check the chassis to make sure it is still level and the hinges are still aligned to each other(If you want to add one more lower hinge to the gate. Please make sure all three hinges are aligned to each other).



Step 9

STEP 9. Mount the gear motor to the chassis correctly for open left and open right correctly. Gate always opens from the chassis center position toward the motor.

Step 10, 11, 12



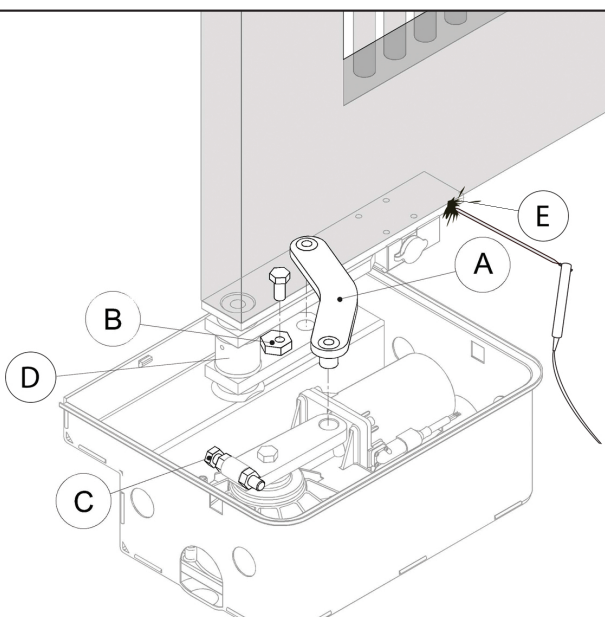
STEP 10. Put some lubrication inside the Intermediate Drive Arm D. Then put the ball bearing into this Arm D. Next put the arm D onto the hinge of the Chassis.

STEP 11. Put the Secondary Arm A onto the Primary Drive Arm C.

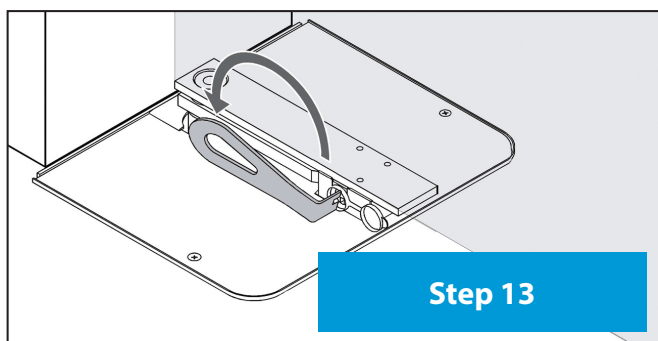
STEP 12. Put the gate attachment bracket E to the Intermediate Drive Arm D. Next Mount the gate on the hinges and check the alignment with the hinges to make sure everything is correct. Then weld the gate attachment to the gate.

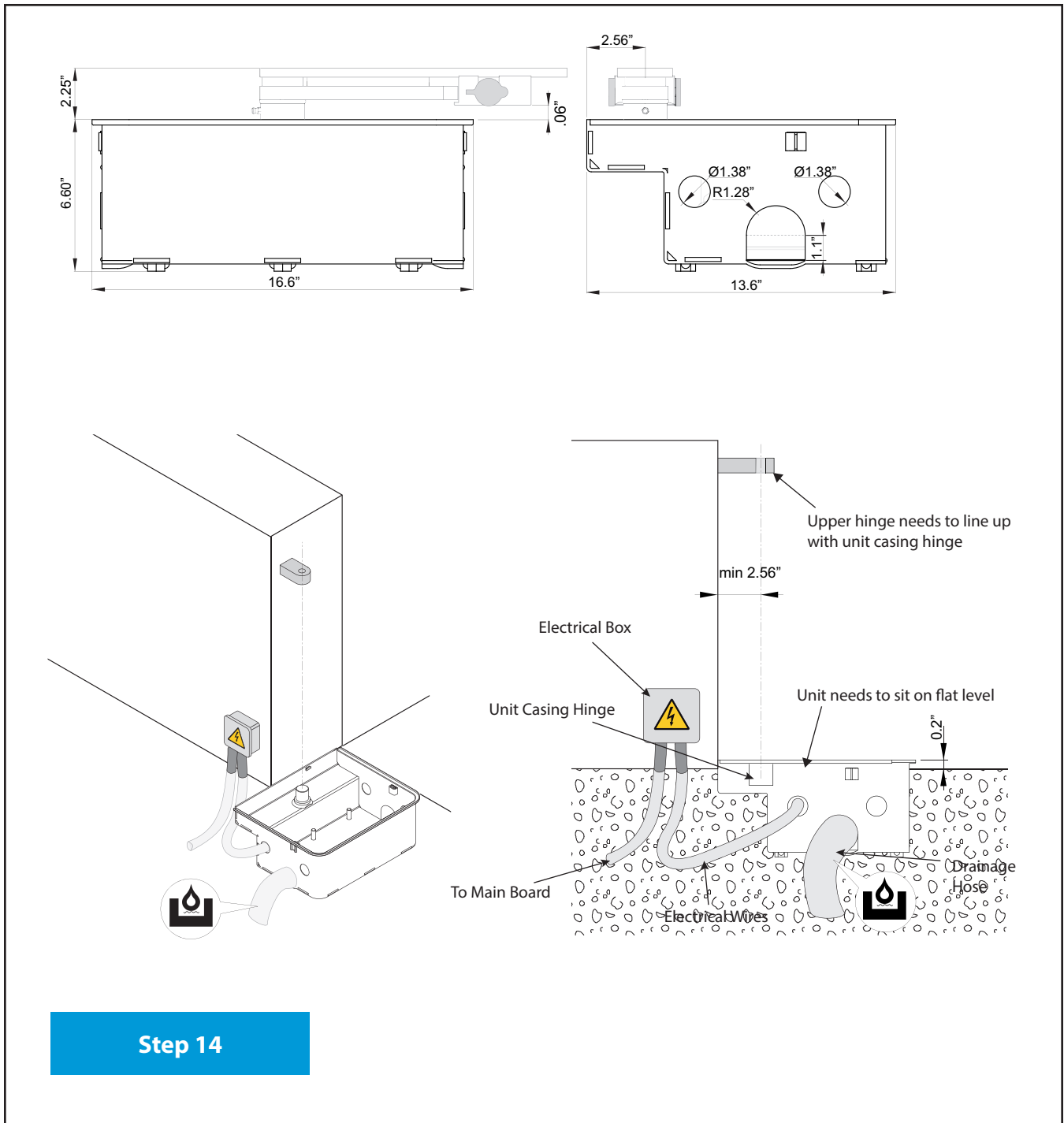
STEP 13. Lock the gate with the unit by rotating the manual release handle to the ...

Step 13



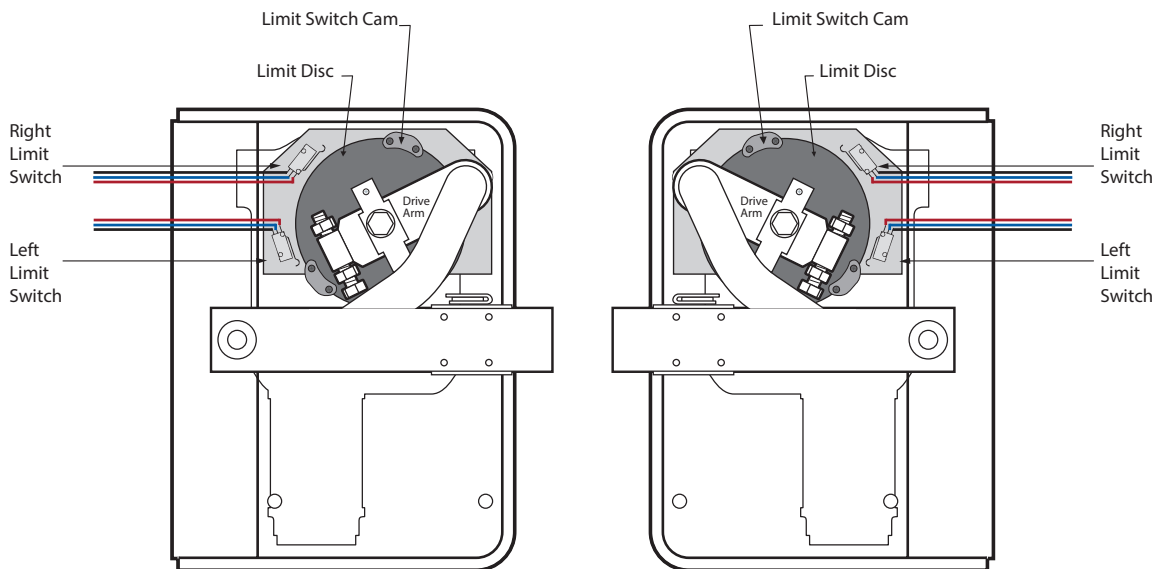
Step 13





Step 14

STEP 14. Rout the two wires from the gearmotor through the pipe to the conjunction box, then to the main board in the controller. black to black, blue to blue.



STEP 15. Adjusting the limit switches in the chassis to set the open limit and close limit.

Step 15

- A. Loosen the screws on the Limit Switch Cams.
- B. Lock the Manual Release Mechanism. That means the gate attachment Bracket-E is locked with the gate.
- C. Using the close & stop buttons on the control board to move the gate to the close position.
- D. Move the Limit Switch Cams on the Cam Wheel to actuate each limit switch.
- E. Slightly tighten the screw on the Limit Switch Cam.
- F. Using open & stop buttons on the control board to move the gate to open position. Repeat step D and E to setup open limit cam.
- G. Run the unit 2 full cycles without interruption (from limit to limit) to execute a "Learn Cycle."

GATE OPENS TO RIGHT	
Left Limit Switch	Open limit
Right Limit Switch	Close limit

GATE OPENS TO LEFT	
Left Limit Switch	Open limit
Right Limit Switch	Close limit

STEP 16. Adjust the mechanical Positive stop B & C correctly.

STEP 17. Verify the limit switches are set correctly. Reset the unit. Then press the open button to open the gate(s) all the ways. Then Press the close button to close the gate all the way. Repeat this process for three times. Verify the gate work correctly according to the Timer setting, Gate SNS setting, and Gate SYNC setting .

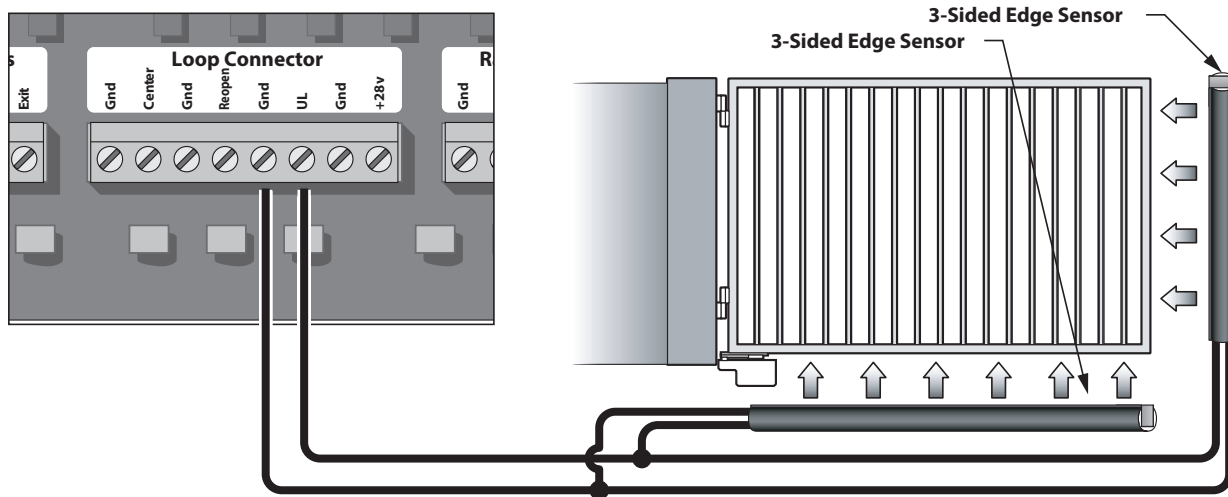
STEP 19. After you have verified the gate(s) working properly, then you can put the top cover in place and secure it with two screws.



WARNING - Not following these instructions may cause severe injury or death to persons.

EDGE SENSOR (CONTACT SENSOR) INSTALLATION

Secondary Entrapment Protection

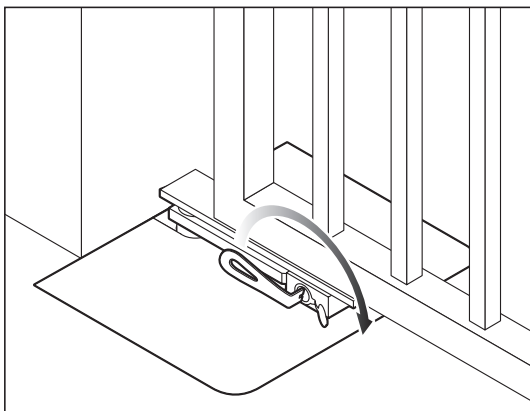


Edge sensor or like must be installed to reduce the risk of entrapment.

Use only Miller Edge 3-sided activation type MGR20 or MDS20 to comply with UL325

One or more contact sensors shall be located on the inside and outside leading edge of a swing gate. Additionally, if the bottom edge of a swing gate is greater than 6 inches (152 mm) above the ground at any point in its arc of travel, one or more contact sensors shall be located on the bottom edge.

1. A hardwired contact sensor shall be located and its wiring arranged so that the communication between
2. A wireless contact sensor such as one that transmits radio frequency (RF) signals to the gate operator for entrapment protection functions shall be located where the transmission of the signals are not obstructed or impeded by building structures, natural landscaping or similar obstruction. A wireless contact sensor shall function under the intended end-use conditions.



MANUAL RELEASE

When manual operation is required:
Insert Key provided and rotate 180°.

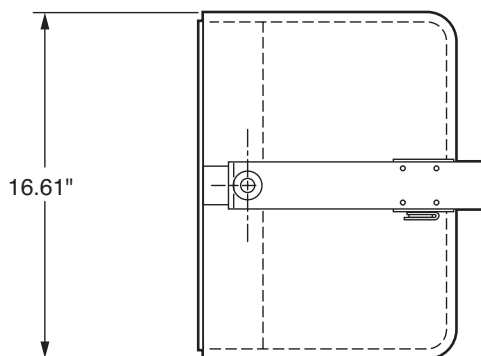
At end of operations, lock the geared motor again by rotating the Key 180° in the opposite direction.
Attention: Lock and release operations MUST be performed with motor NOT RUNNING.



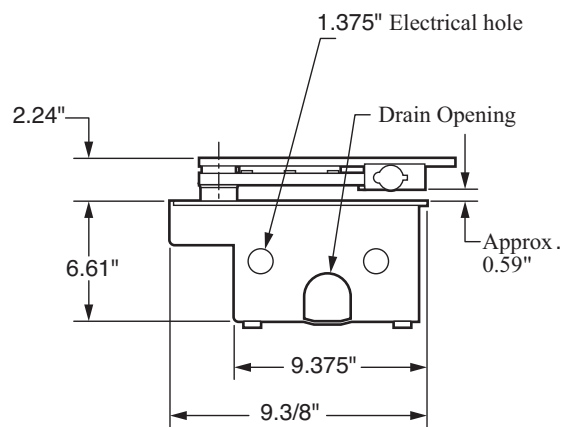
WARNING: to reduce the risk of injury or death:

1. READ AND FOLLOW ALL INSTRUCTIONS.
2. Never let children operate or play with gate controls. Keep the remote control away from children.
3. Always keep people and objects away from the gate. **NO ONE SHOULD CROSS THE PATH OF THE MOVING GATE.**
4. Test the gate operator monthly. The gate **MUST** reverse on contact with a rigid object or stop when an object activates the non-contact sensors. After adjusting the force or the limit of travel, retest the gate operator. Failure to adjust and retest the gate operator properly can increase the risk of injury or death.
5. Use the emergency release only when the gate is not moving.
6. **KEEP GATES PROPERLY MAINTAINED.** Read the owner's manual. Have a qualified service person make repairs to gate hardware.
7. The entrance is for vehicles only. Pedestrians must use separate entrance.
8. **SAVE THESE INSTRUCTIONS**

OVERALL DIMENSIONS



Top View



Side View

MAINTENANCE INSTRUCTIONS OF UGP-712 PERFORMED BY A QUALIFIED GATE OPERATOR TECHNICIAN INSTALLATION, ALL CONNECTIONS, PROGRAMMING, REPAIR AND MODIFICATIONS MUST BE DONE BY A QUALIFIED PROFESSIONAL GATE OPERATOR INSTALLER.

The following services need to be periodically performed:

- Check and adjust the gate operator for force, speed, and sensitivity.
- Make sure all power (AC/DC) connections are corrosion free.
- Check all batteries for proper voltage of the intended use. A fully charged battery must be 26 VDC minimum.
- Check the incoming line voltage and confirm it is within 10% of its rating (115 or 230 volts).
- Verify battery backup functionally by turning off the power source (115 VAC and 230 VAC). Don't forget to restore power after testing.
- Check gate hinges and operator/arm mounting brackets and lubricate them with heavy-duty, high-performance lubricant and avoid spillage.
- Test (use caution) all contact and non-contact sensors, all vehicle detectors, keypad, telephone entry system or other control devices applicable.
- Test the manual release feature on the operator/arm.

MAINTENANCE INSTRUCTIONS OF UGP-712 PERFORMED BY THE END USER/HOME OWNER

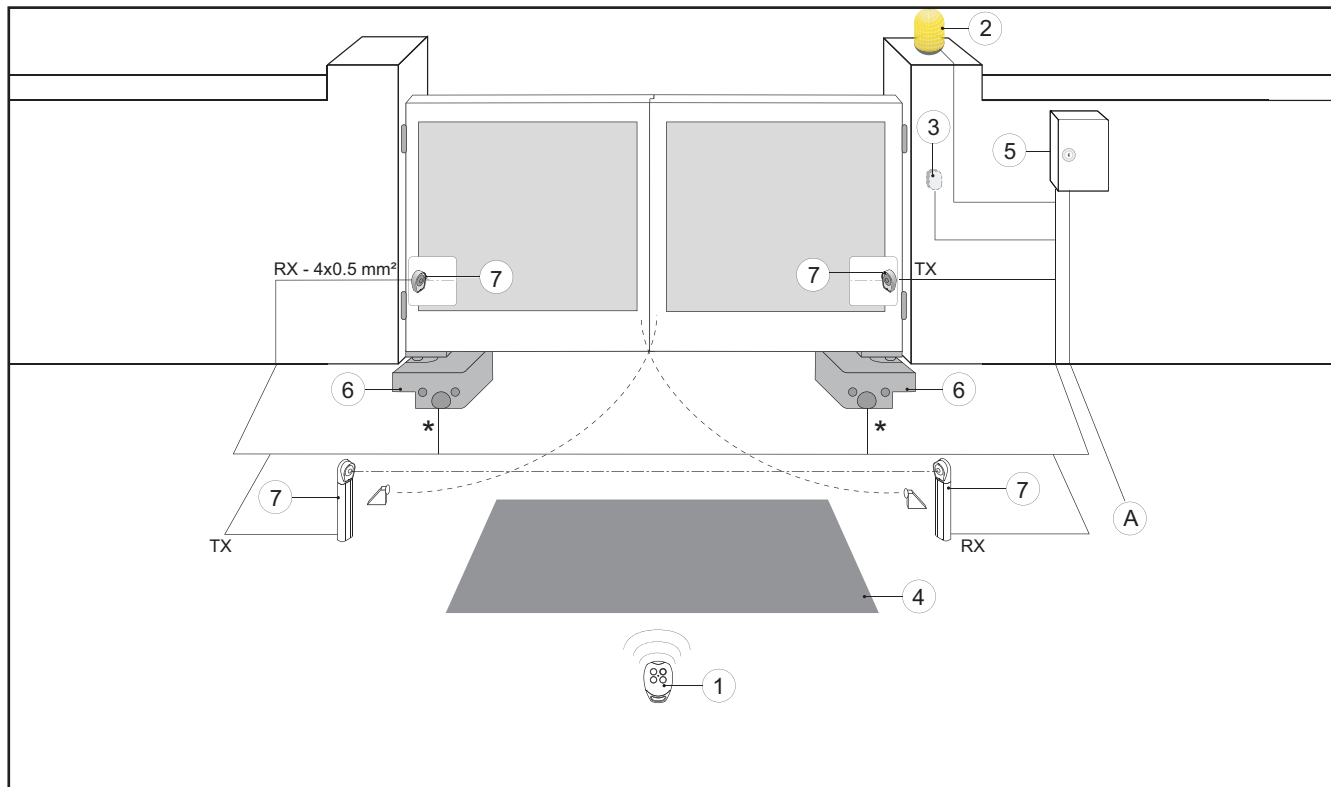
Installation, all connections, programming, repair and modifications must be done by a qualified professional gate operator installer. End users/home owners must call a qualified professional gate operator installer for programming changes, repairs and modifications.

Although all Platinum Access Systems' gate operators are virtually maintenance free to an end user/home owner, minimal maintenance is recommended to ensure a smooth operation of this unit.

End users/home owners:

- Perform maintenance every six months, or when strenuous noise from gate hinges and/or operator/arm mounting brackets is detected. Lubricate them with heavy-duty, high-performance lubricant and avoid spillage.
- DO NOT take the cover off the operator/arm and/or the electrical control box to perform maintenance.
- Make sure there are no cars in the path of the gate while performing maintenance.
- Make sure the person performing maintenance is the only person in control of all control devices in order to avoid possible involuntary activation of the gate operator.
- Keep spraying water hoses and sprinkler systems away from the gate, gate operator/arm and the electrical control box at all times. Keep that general area as clean as humanly possible.
- Test (use caution) all non-contact sensors, all vehicle detectors, keypad, telephone entry system or other control devices applicable.

STANDARD INSTALLATION

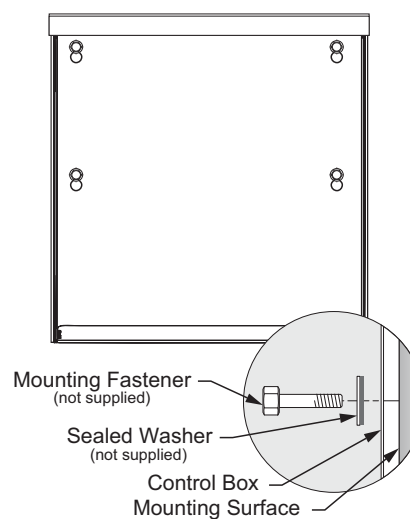
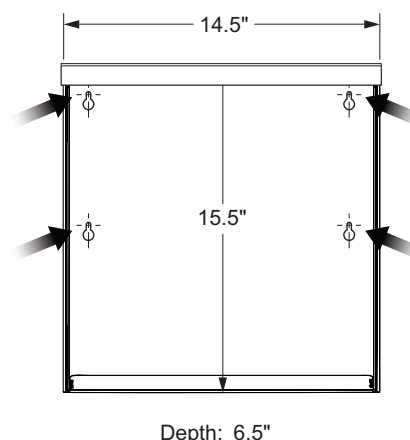
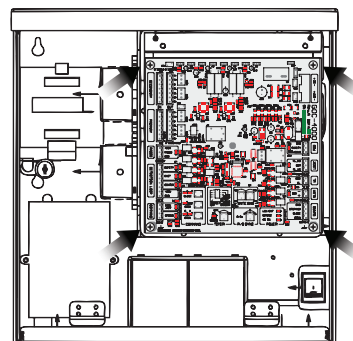


Ref	Description
1	Transmitter
2	Flashing light 24 V= Flashing light 115 V=
3	Key selector Codified via radio control keyboard
4	Magnetic loop detection device for traffic monitoring
5	Control panel
6	Foundation casing Level mechanism kit Lever-operated release kit
7	Photocells
A	Connect the power supply to an approved omnipolar switch with an opening distance of the contacts of at least 3mm (not supplied). The connection to the mains must be made via an independent channel, separated from the connections to command and safety devices.

NOTE: The given operating and performance features can only be guaranteed with the use of DITEC accessories and safety devices.

The control box **MUST** be mounted within 5 feet of the gate operator. Mount the control box as high as possible for best radio reception. Make sure the control box is level. The control unit weight is approximately 28 lbs. with supplied batteries.

- 1** Remove the screws and open the control box.
- 2** Disconnect the connector from the Main Board.
- 3** Position the control box into the desired place and mark the mounting holes.
- 4** Select the mounting holes and remove the knockouts using a screwdriver and hammer.
- 5** Secure the control box to mounting surface.



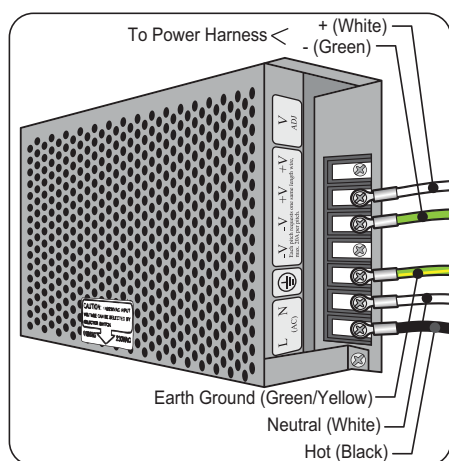
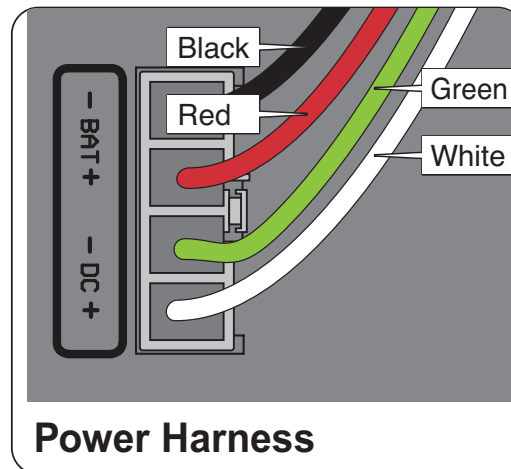


WARNING: Verify the installation first to make sure everything is correct before connecting the power cable to the board. USE MIN . 14 AWG WIRE. FOLLOW ALL LOCAL ELECTRICAL CODES.

To help protect the equipment from lightning and power surges and to protect persons from shock hazard the Operator must be grounded. The earth ground rod must be located within 3 feet from the gate operator. Use the proper type earth ground rod for your local area. The ground wire must be a single, whole piece of wire. Never splice two wires for the ground wire. If you cut the ground wire too short, break it, or destroy its integrity, replace it with a single wire length. Prevent unnecessary turns or loops in ground wires.

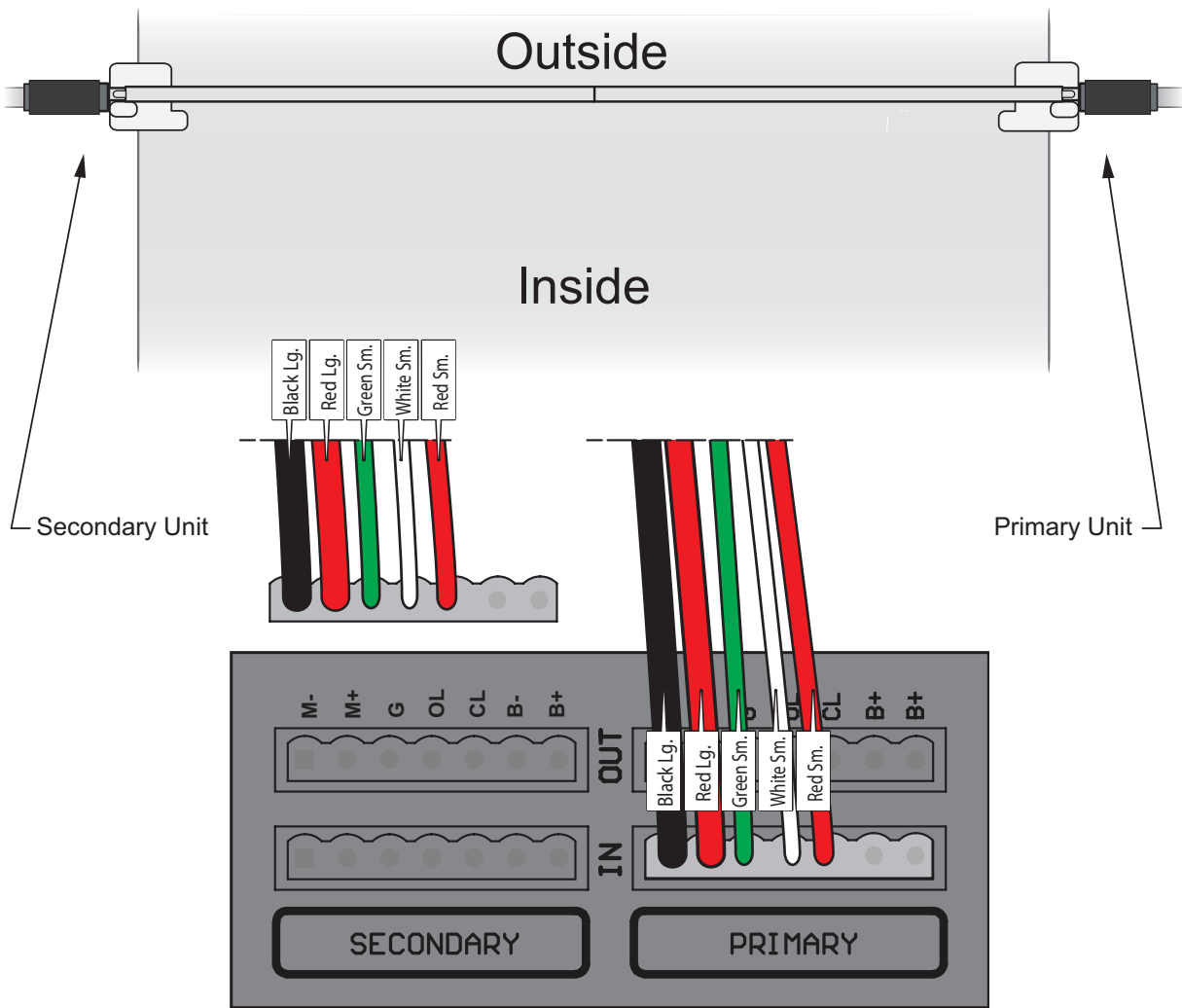
The gate operator and the battery charger require a single phase AC line to operate.

1. Turn off the breaker for the circuit you are using.
2. Select the proper voltage on the power board.
3. Connect the incoming power wires to the proper terminals.
4. Turn on the breaker and check that AC ON and CHARGE LED are lit.



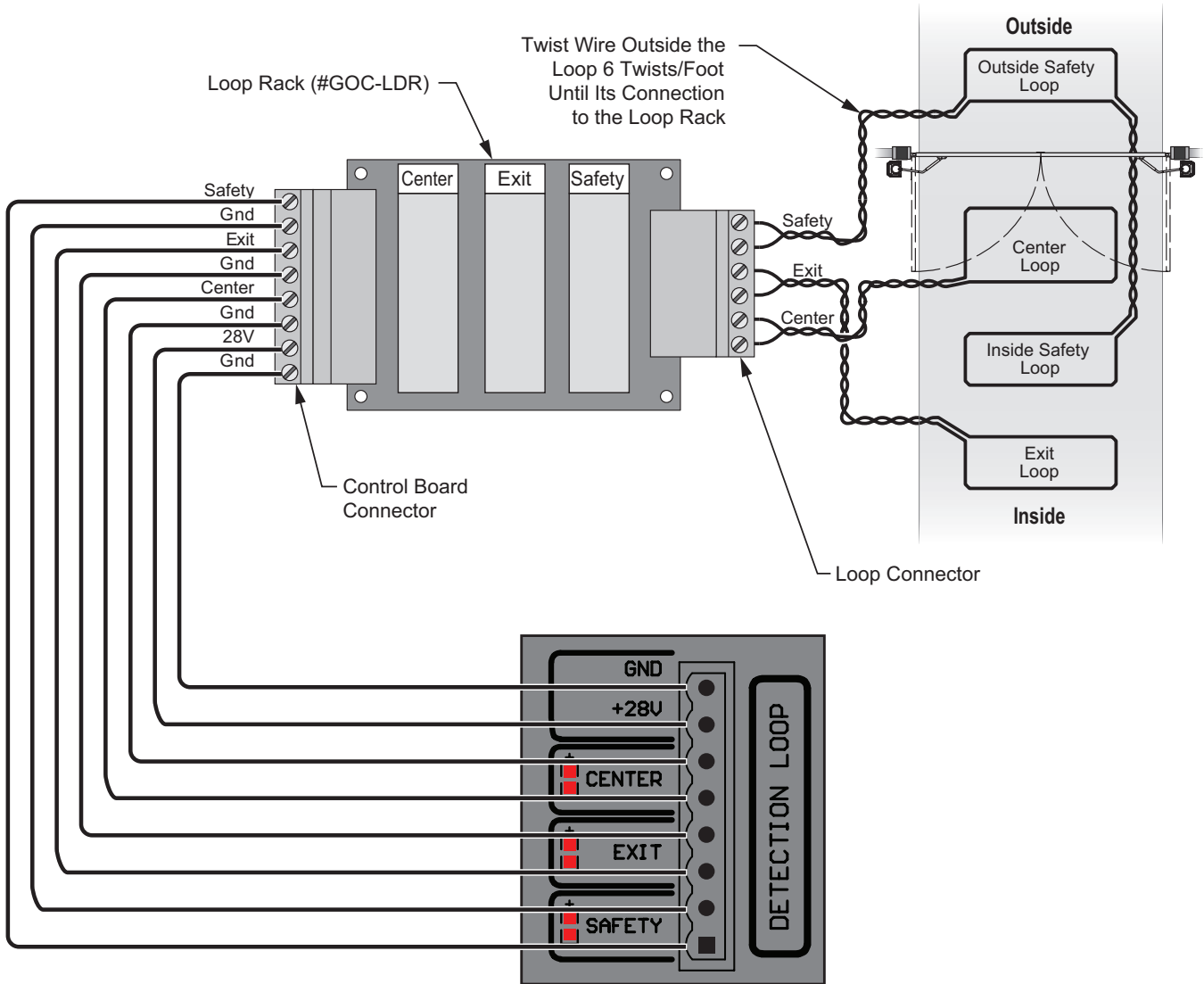
The power receptacle has been left unconnected till the installer decides what voltage to use. Connect to 120VAC only

The control board provides a connector for the secondary actuator unit and automatically synchronizes the secondary unit with the primary unit.



Simply connect the Secondary arm to its applicable position, IN for open inside or OUT for open outside.

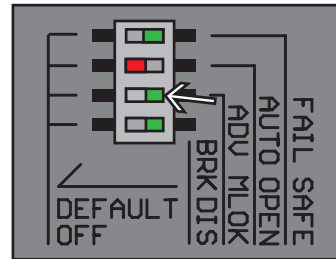
LOOP RACK INSTALLATION:



ADVANCING LOCK SELECT:

ADV MLOK

To set the maglock to be engaged before the gate reaches the close or open position: Select the DIP switch to ADV MLOK position.



OPEN ON POWER FAIL:

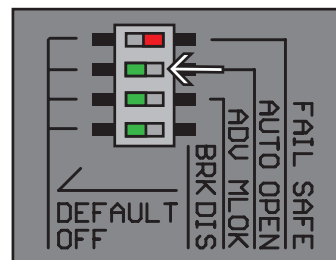
The Auto-Open feature in Platinum Access Systems Gate Operators enables the following functionality in the event of power failure:

- a. Open the gate in case of power failure (120 or 220 VAC).
- b. Keep the gate at the open position as long as there is no power.
- c. Resume to normal operation when the power has been restored.

All accessories and safety devices are functional. The only function disabled is the close command.

Auto-Open

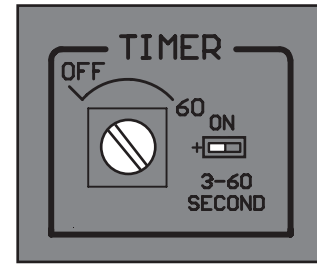
To enable the Auto-Open feature: Select the DIP switch to AUTO OP position.



CLOSE TIMER:

Close Timer

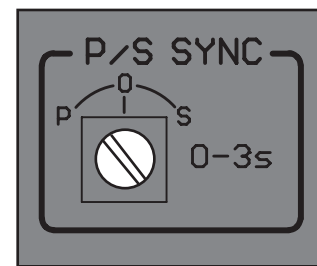
Timer Feature when activated will close the gate automatically a set number of seconds. This is adjustable from 3 to 60 seconds.



LEAF DELAY:

Leaf Delay

An Overlap Delay has been provided for biparting gates that have an emblem or maglock for example. It will provide up to a 3 second delay on primary or secondary operator.



INSTANT REVERSING SENSOR:

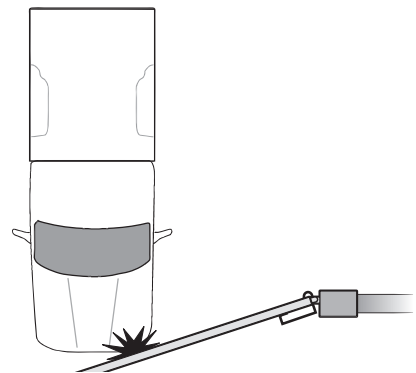
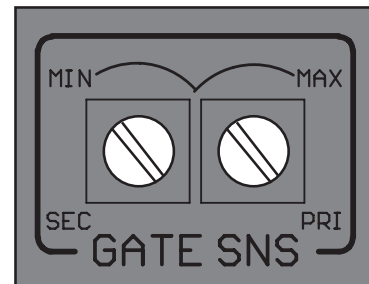
Instant Reversing Sensor

The Obstruction Sensor needs to be adjusted to compensate for the installation and gate weight. The overload adjustment is provided to set the gate sensitivity.

- a) If the gate reverses by itself or stops in midcycle, it is too sensitive.
- b) If the gate hits an object and does not reverse or stop, it is not sensitive enough.
- c) Clockwise increases sensitivity, counterclockwise decreases sensitivity.

Test and adjust for proper reversing pressure

(Note: When unit alarms, push "STOP" or "RESET" button will clear the alarm)



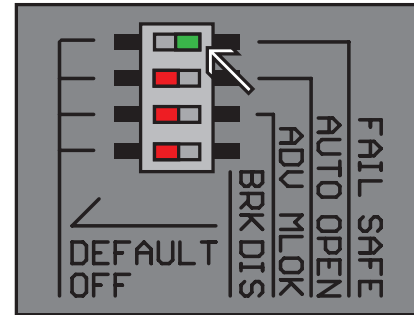
FAIL SAFE/SECURE:

Fail Safe/Secure

On = Fail Safe Off = Fail Secure

Fail/Safety	Battery Detection	AC Detection	Output
ON	Normal	Normal	Secure
ON	Normal	OFF	Fail Safe
ON	Low/OFF	Normal	Fail Safe
ON	Low/OFF	OFF	Fail Safe
OFF	Normal	Normal	Secure
OFF	Normal	OFF	Fail Secure
OFF	Low/OFF	Normal	Fail Secure
OFF	Low/OFF	OFF	Fail Secure

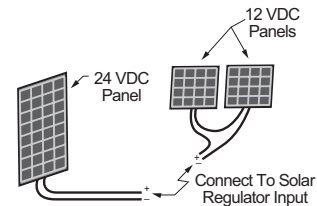
Note: When the output is "Fail Safe", there is less resistance to push the gate open manually.



SOLAR INSTALLATION:

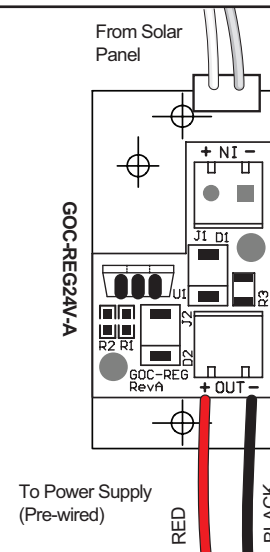
Step 1

A 24V solar panel or two 12V solar panels with minimum 80 watts capacity, Maximum Power Voltage (VPM) > 31V and Open Circuit Voltage (VOC) >38V is required.

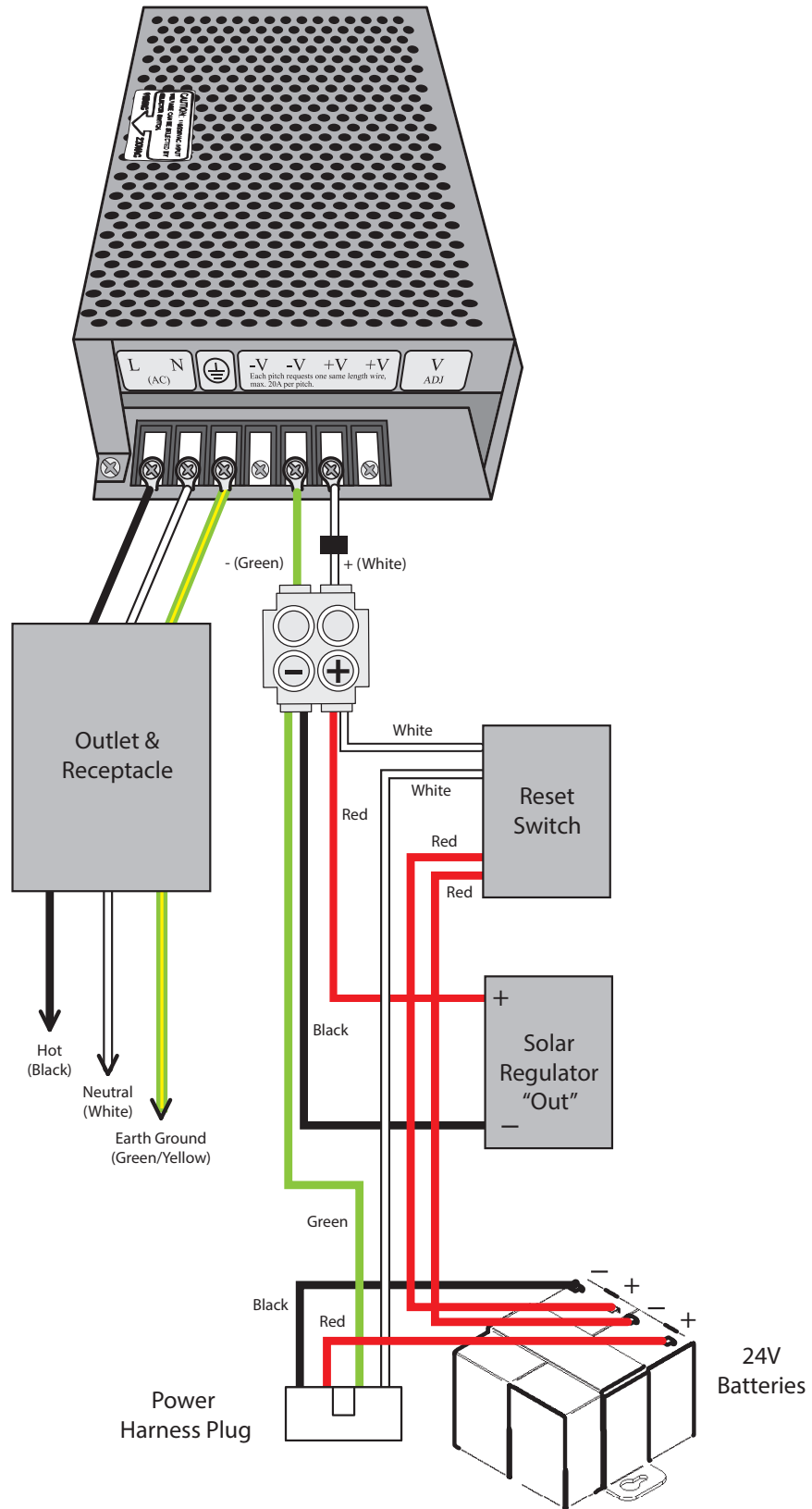


Step 2

Connect the solar panel cables to the Solar Regulator as shown.

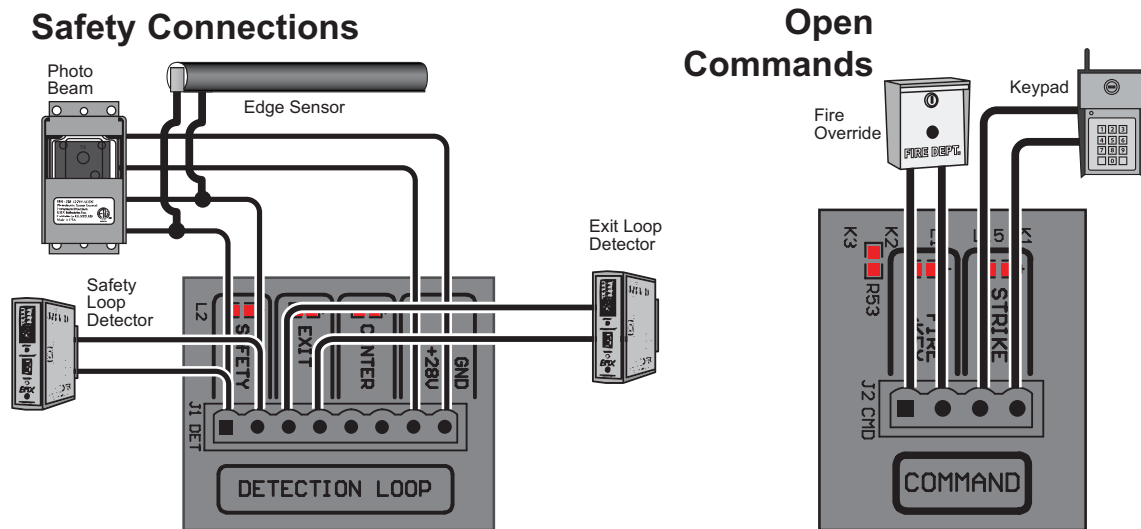


Optional Solar Installation: For Solar Panel controller installation, please call Technical Support.



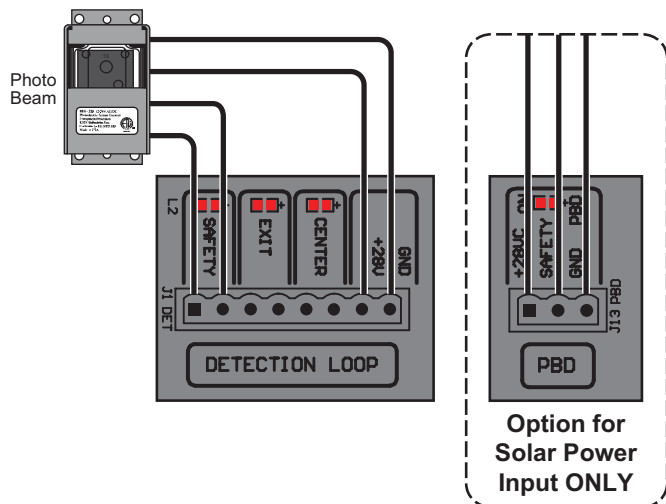
ACCESSORY CONNECTIONS:

To decrease the possibility of vehicle entrapment on the gate, vehicle loop detectors need to be installed. The edge sensor and the photo-electric beam can be used for secondary entrapment protection on every installation to prevent pedestrian or animal entrapment. These accessories must be UL325 compliant devices.



REOPEN PHOTO BEAM

Note: Installing the photo beam in this way, allows the gate to re-open all the way upon obstruction of the photo-beam. The optional PBD connector provides a controlled power supply for Photo Beam. The power will be turned off when gate is in close position to save battery.



Option for Solar Power Input ONLY

ACCESSORY CONNECTIONS (Continued):

Radio Receiver

Need to verify the proper connections before connecting the Radio Receiver. The maximum voltage that the control board / battery can provide is about 28V for external accessories. If there is an electrical short in the power to the accessories, the control board will protect itself by shutting down and will remain shut down until the short is fixed.

Two modes of operation that a radio receiver can control the gate:

Open-Close

By having the radio receiver connected as illustrated and with the Timer OFF:

Every command of the radio transmitter will control the gate as follow:

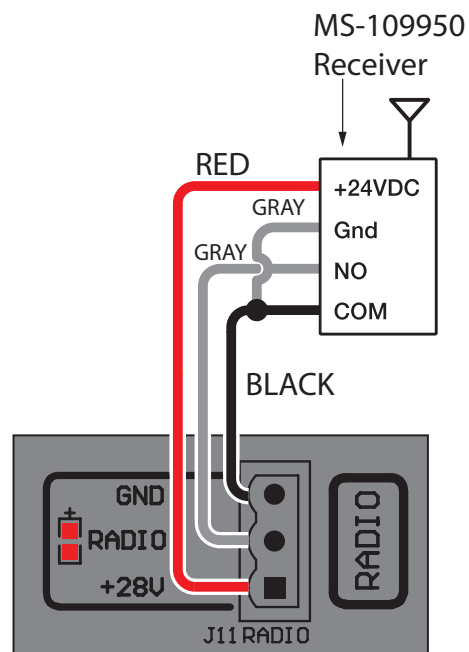
- A. First command opens the gate
- B. Second command CLOSE the gate if at open position
- C. Third command OPEN the gate
- D. Any subsequent commands will continue in the same order to control the gate.

This type of configuration is not recommended for a commercial installations.

Open Only

By having the radio receiver connected as illustrated and with the Timer ON:

Each command of the radio transmitter is ALWAYS AN OPEN COMMAND to the gate.

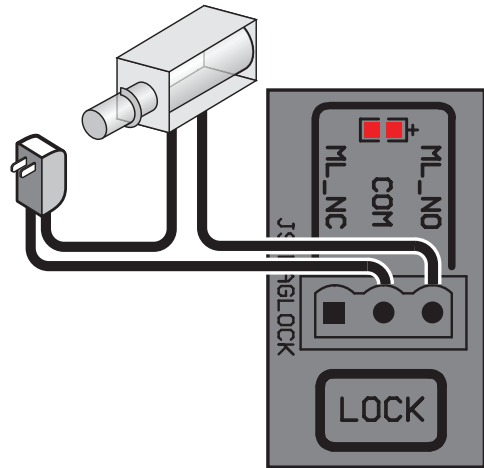


Linear MS-109950
Installation Diagram

ACCESSORY CONNECTIONS (Continued):

Solenoid Connection

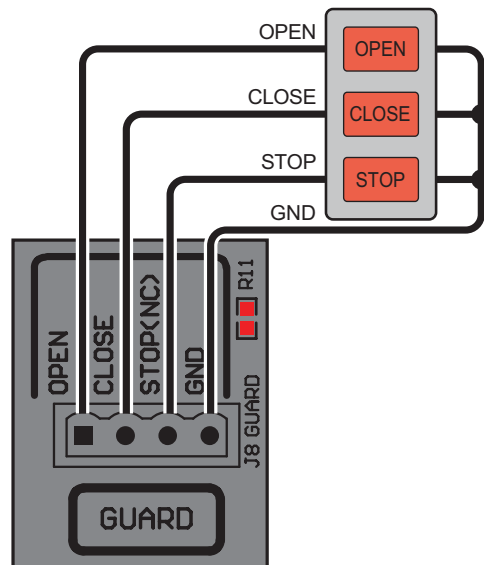
The solenoid power connection must be provided an external power source. This will prevent damage to the battery in the event of a line power failure.



Guard Station

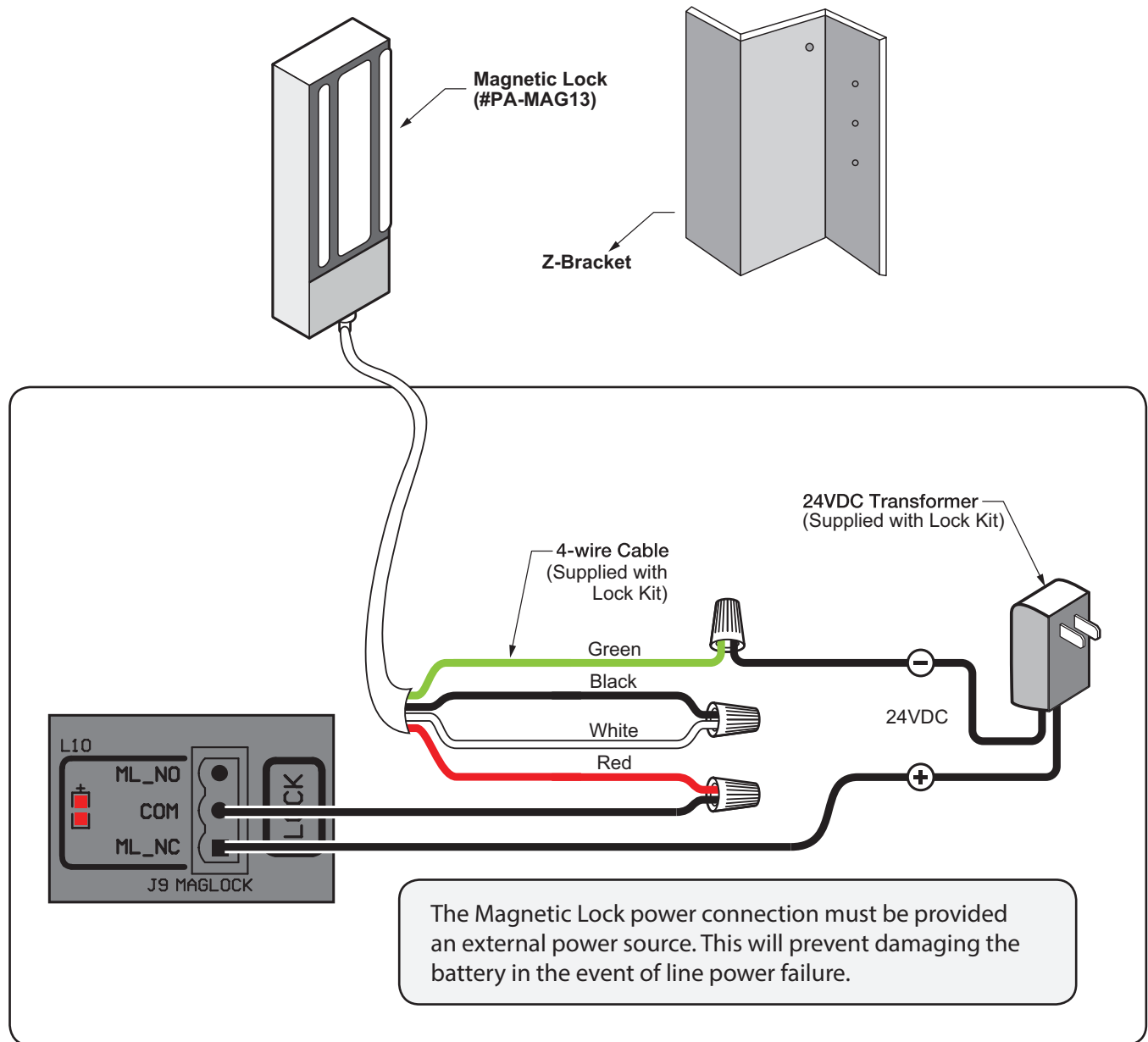
This will control the gate operator to Open, Stop, and Close the gate. The switches for Open and Close must be normally open type. The switch for Stop must be normally close type. They all can be using the same common ground. The control switch box should be within sight of the gate, out of reach of children, and away from moving parts of the gate.

If no guard station or STOP switch is installed, a jumper must be inserted between "STOP(NC)" and "GND" pins.



ACCESSORY CONNECTIONS (Continued):

Locks



OPTIONAL ACCESSORY- part # (PA-MAG13).

Gate does not open or close

Check all motor connections to be fully engaged.

Check that the stop command is not active.

Check that the UL command (photo beam and/or edge sensor) is not active.

Check that the vehicular loop detectors are working properly.

Check that the radio command is not active.

Ensure that you external accessories are working properly

Automatic close does not function

Check that the trim pot of the hold open timer is set to the proper time delay.

Note: Hold open timer closes the gate automatically once the gate reaches the limit open. The time delay to close is set by the trim pot. To turn this system off turn the trim pot all the way clockwise

Gate opens in the opposite desired direction

Verify your motor cable is connected to the proper connector.

Check that all motor cable connections, junctions and extensions are properly connected and color-coded.

Gate does not open but after few seconds

Set the overlap delay trim pot to 0.

Note: Overlap trim pot is normally recommended to use in overlapping gates.

Gate opens. Closes or stops on its own

Check that your external devices are working properly

Check that your wires from your accessories are:
 a) Not shorting together
 b) Not shorting a power line
 c) Not shorting to metal or earth ground.

Green 'Charger' LED not illuminated

Check power supply

Check that there is AC power.
 Check Fuse on EMI board.
 Check for proper power selection (120/220 VAC) on EMI board.
 Check power harness plug on control board.



PLATINUM ACCESS SYSTEMS™

1725 E. Grevillea Court, Ontario, CA 91761
Phone: (909) 259-6000 | Fax: (909) 923-7890

www.PlatinumASI.com

© 2015 Platinum Access Systems, Inc. All Rights Reserved.