

ENFORCER®

E-931-S50RRGQ

50ft Reflective Photoelectric Beam Sensor

Manual



- Up to 50ft (15m) sensing range
- Weatherproof (IP55)
- Anti-condensation housing
- 12-30V DC/AC 60Hz, 100mA
- Form C relay: 0.5A@30VAC/VDC
- Beam status LED
- N.C. Tamper switch: 500mA@30VAC/VDC

Caution:

- This sensor is not designed to prevent bodily injury or loss of life.
- This sensor is not designed for use in environments where explosive gasses may be present.
- Use of this sensor in certain security applications may be regulated by local laws or codes. SECO-LARM is not responsible for compliance with such laws or codes.

ENFORCER 50ft Reflective Photoelectric Beam Sensor

Specifications:

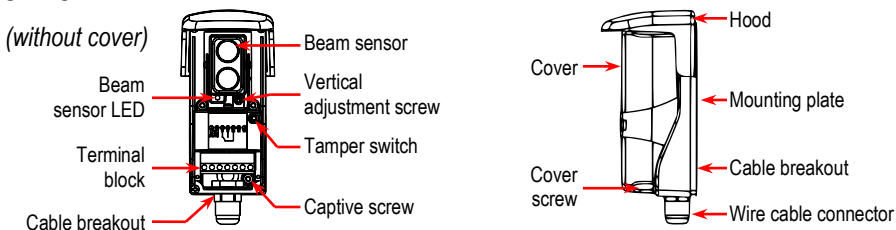
Model		E-931-S50RRGQ
Type		Reflective photoelectric beam sensor
Sensing range		50ft (15m)
Operating voltage		12-30V DC/AC 60Hz, 100mA
Current drain	Standby	55mA@12VDC
	Active	40mA@12VDC
Response time		10ms
Light source		IR LED
LED	Solid Green	Good beam signal, properly aligned
	Alternating flash	Poor beam signal
	Solid Red	No beam signal, triggered
Trigger output		SPDT Relay output (NO/NC/COM)
Switching capacity		500mA@30VAC/VDC
Tamper switch		500mA@30VAC/VDC
IP Rating		IP55
Operating temperature		-13°~140° F (-25°~60° C)

Parts List:

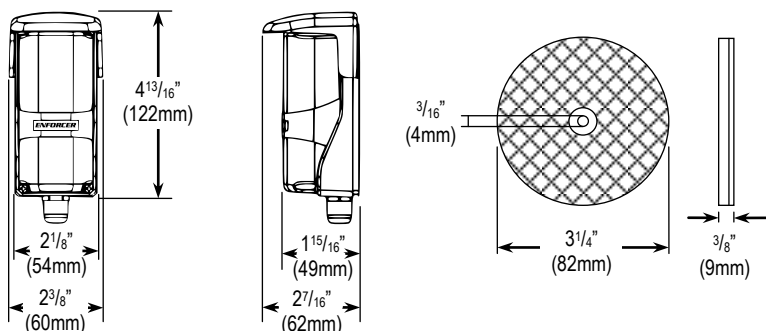
- 1x Sensor
- 1x Reflector
- 1x Mounting bracket
- 1x Sensor hood
- 4x Cover screws
- 2x Mounting screws
- 1x Reflector mounting screw
- 1x Rubber ring
- 1x Cable connector
- 1x Manual
- 1x Removable terminal block
- 1x 10KΩ Resistor

Note: Depending on the monitoring system used by the gate motor, it may be necessary to use either the N.C. output or connect the included 10KΩ resistor to the N.O. or N.C. output. Please refer to the gate operator manual or the gate operator manufacturer for the preferred monitoring method.

Overview:

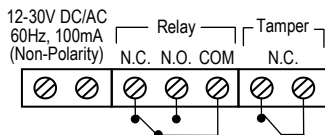


Dimensions:



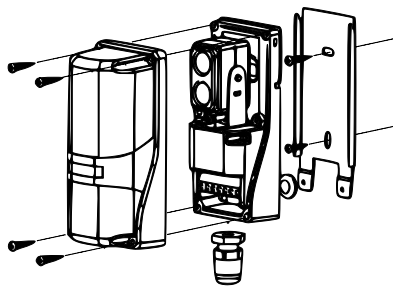
Wiring Diagram:

- Polarity does not matter for the power input.
- Connect the N.C. tamper terminal to the tamper circuit of an alarm control panel.



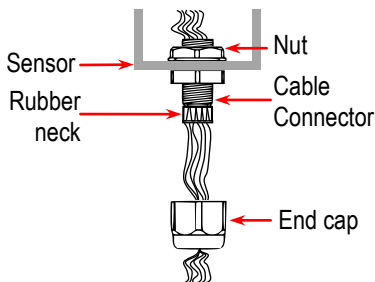
Mounting:

1. Unscrew the four cover screws and remove the cover.
2. Loosen the captive screw and remove the sensor from the mounting plate.
3. Using the included mounting screws, mount the mounting plate to the wall.
4. Use the cable breakout and cable connector at the bottom or rear of the sensor to run the wires.
5. Hang the sensor back on the plate and use the captive screw to secure it in place.
6. Re-attach the cover, replace the four screws, and attach the hood to the top of the sensor.



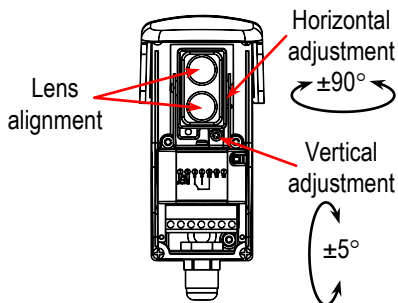
Wiring for the Bottom Cable Breakout

1. Puncture the cable breakout located at the bottom of the sensor using a screwdriver or other object.
2. Insert the short end side of the cable connector into the cable breakout hole and use the nut to secure it, tightening with a wrench as needed.
3. Run the wires through the end cap and cable connector.
4. Then screw the end cap into the external side of the cable connector to prevent water from entering the unit.



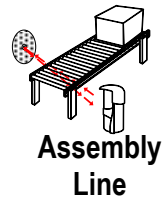
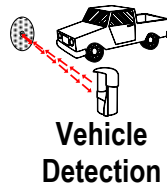
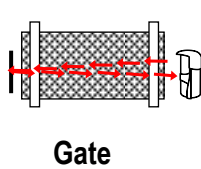
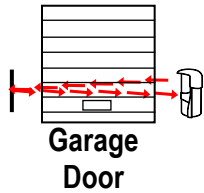
Alignment:

1. Mount the sensor and reflector so that they face each other.
2. Connect power to the sensor. The LED will light as indicated in the chart below.
3. Unscrew the four cover screws and remove the cover.
4. To find the correct alignment, slowly turn the lens assembly left and right to adjust the horizontal angle.
5. Loosen the vertical adjustment screw to adjust the vertical angle.
6. Place the hood on the sensor by sliding the hood's ridges into the slots on the sides of the sensor.
7. Re-attach the cover, replace the four screws, and attach the hood to the top of the sensor.



Solid green	Good beam signal, properly aligned
Alternating flash	Poor beam signal
Solid red	No beam signal, triggered

Sample Applications:



Optional Accessory:

Reflector Hood E-931ACC-HR1Q

Provides extra protection for the reflector.



Compatible with Reflective Photoelectric Beam Sensor models E-931-S50RRGQ, E-931-S35RRQ, and E-931-S33PRGQ.

Other Sensors Available:



Reflective Photobeam



Dual and Quad Beam



Curtain and Barrier

Troubleshooting:

Sensor does not detect the object.

- Change the angle of the sensor or readjust the sensitivity setting.

The beam sensor LED will not turn green.

- Clean the sensor and reflector with a damp (not wet) cloth.
- Adjust the reflector and/or sensor for proper alignment.

Beam sensor LED lights when object is detected, but there is no output.

- Check wiring between the sensor and local alarm device.

WARRANTY: This SECO-LARM product is warranted against defects in material and workmanship while used in normal service for a period of one (1) year from the date of sale to the original consumer customer. SECO-LARM's obligation is limited to the repair or replacement of any defective part if the unit is returned, transportation prepaid, to SECO-LARM.

This Warranty is void if damage is caused by or attributed to acts of God, physical or electrical misuse or abuse, neglect, repair, or alteration, improper or abnormal usage, or faulty installation, or if for any other reason SECO-LARM determines that such equipment is not operating properly as a result of causes other than defects in material and workmanship.

The sole obligation of SECO-LARM, and the purchaser's exclusive remedy, shall be limited to replacement or repair only, at SECO-LARM's option. In no event shall SECO-LARM be liable for any special, collateral, incidental, or consequential personal or property damages of any kind to the purchaser or anyone else.

NOTICE: The information and specifications printed in this manual are current at the time of publication. However, the SECO-LARM policy is one of continual development and improvement. For this reason, SECO-LARM reserves the right to change specifications without notice. SECO-LARM is also not responsible for misprints or typographical errors. Copyright © 2016 SECO-LARM U.S.A., Inc. All rights reserved. This material may not be reproduced or copied, in whole or in part, without the written permission of SECO-LARM.

SECO-LARM® U.S.A., Inc.

16842 Millikan Avenue, Irvine, CA 92606
Tel: 800-662-0800 / 949-261-2999 Fax: 949-261-7326

Website: www.seco-larm.com
E-mail: info@seco-larm.com



MI_E-931-S50RRGQ_160216.docx