

## 50ft Reflective Photoelectric Beam Sensor

**E-931-S50RRGQ** Range: Up to 50ft (15m)



### Features:

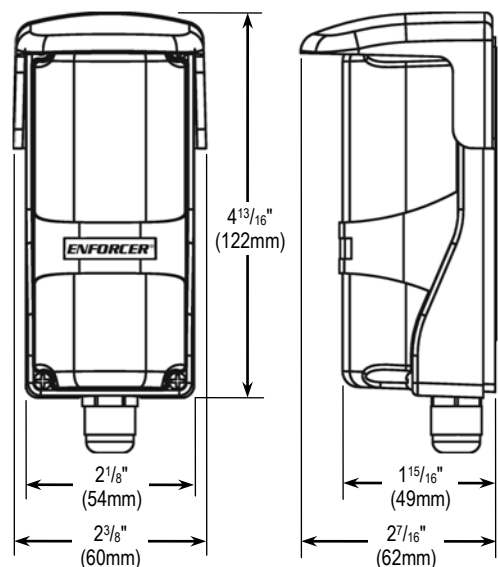
- Up to 50ft (15m) range
- For outdoor gates, garage doors, etc.
- Weatherproof (IP55) construction for indoor/outdoor use
- Anti-condensation housing
- Dual-color LED alignment system
- Form C relay: 500mA@30VAC/VDC
- Tamper switch: N.C. 500mA@30VAC/VDC
- 3 1/4" (82mm) Round reflector included
- Compact size
- Monitored output:
  - N.C.
  - 10kΩ Resistor



### Specifications:

<b>Model</b>		<b>E-931-S50RRGQ</b>
<b>Type</b>		Reflective Photoelectric Beam Sensor
<b>Sensing range</b>		50ft (15m)
<b>Operating voltage</b>		12-30V DC/AC 60Hz, 100mA
<b>Current Draw</b>	<b>Standby</b>	55mA@12VDC
	<b>Active</b>	40mA@12VDC
<b>Response time</b>		10ms
<b>Light source</b>		IR LED
<b>LED</b>	<b>Solid green</b>	Good beam signal, properly aligned
	<b>Alternating flash</b>	Poor beam signal
	<b>Solid red</b>	No beam signal, triggered
<b>Trigger output</b>		SPDT Relay output (NO/NC/COM)
<b>Switching capacity</b>		500mA@30VAC/VDC
<b>Tamper switch</b>		500mA@30VAC/VDC
<b>IP Rating</b>		IP55
<b>Operating temperature</b>		-13°~140° F (-25°~60° C)

### Dimensions:



### SECO-LARM® U.S.A., Inc.

16842 Millikan Avenue, Irvine, CA, 92606  
 Phone: (949) 261-2999 | (800) 662-0800 Fax: (949) 261-7326  
 Website: www.seco-larm.com Email: sales@seco-larm.com



Copyright 2016 © SECO-LARM U.S.A., Inc. All rights reserved.  
 The SECO-LARM policy is one of continual development. For that reason, SECO-LARM reserves the right to change prices and specifications without notice. SECO-LARM is not responsible for misprints.  
**SECO-LARM® ENFORCER® CRIMEBUSTER® CBA SLI®**