

# ADVANTAGE DKLP



19-100 SERIES

100-CODE LOW-POWER KEYPAD

## FEATURES

- NEW** • Latch code
- Low current draw
- 100 four-digit code capacity
- Personal master code
- Variable relay time
- Relay shunt for alarm system
- Audible-tone feedback
- Non-volatile memory



## ADVANTAGE FAMILY

SOLID KEYPADS FOR OVER 30 YEARS

### NO-NONSENSE OPERATION

If you're looking for a keypad that is easy to program and easy to use, look no further!

### GOES WHERE YOU GO

With such a low current draw, this unit can be located in the remotest of locations, as long as sunlight is sufficient.

### STURDY & DURABLE

Crafted exclusively from stainless and powder-coated steel, this unit is built to last!

### PROGRAMMING YOU KNOW

Quick, simple, and familiar, the basic programming steps on the keypad are identical to those on all of our keypads.



## SPECIFICATIONS

### PHYSICAL

Dimensions	5.27"(H) x 4.71"(W) x 4.50"(D)
Shipping Weight	5 lbs.

### ELECTRICAL

Input	12 VDC
Current Draw	less than 1.1 mA @ 12 VDC standby
	less than 6.0 mA @ 12 VDC with relay latched

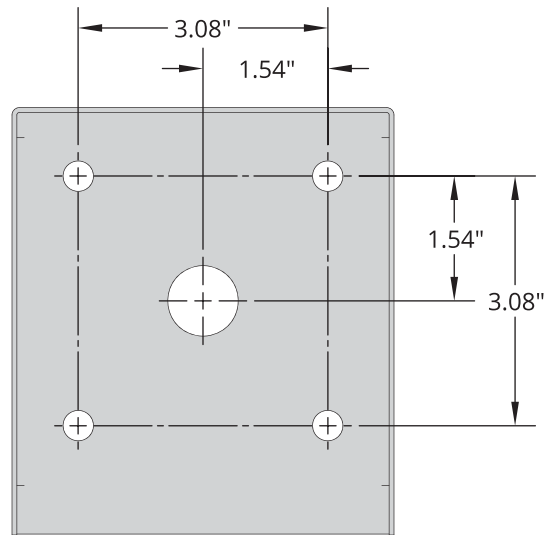
### RELAY

Contact Rating	2 A @ 30 V / .5 A @ 120 V DC Load / AC Load
Max Switching Voltage	125 V / 125 V
Max Carrying Current	2 A / 2 A
Max Switching Power	24 W / 60 VA
Variable Relay Time	1-9 seconds

### ENVIRONMENTAL

Operating Temperature	-15 to 175 °F
-----------------------	---------------

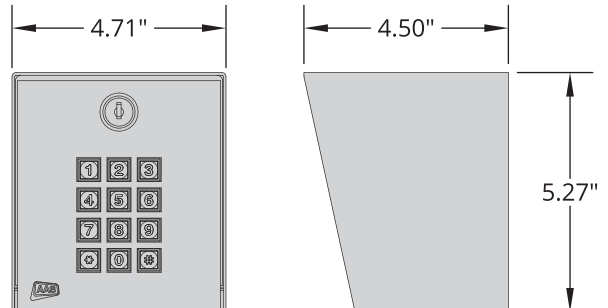
## MOUNTING



### Hole Sizes

Wiring pass through	0.88"
Mounting holes (x4)	0.38"

Unit includes mounting hardware.



## RELATED PRODUCTS



Advantage DKLP  
100-Code Single-Gang Keypad  
19-100sg



Advantage DKLP  
100-Code Keypad w/ Intercom  
19-100i



Advantage DKE  
500-Code Economy Keypad  
26-500



Ascent K1  
Cellular Keypad  
25-K1



Ridge 2.0  
Wireless Keypad & Transceiver  
S-14-500



1675 W Yale Ave  
Englewood, CO 80110

[securitybrandsinc.com](http://securitybrandsinc.com)

Tel: (800) 541-5677  
Fax: (303) 799-9756