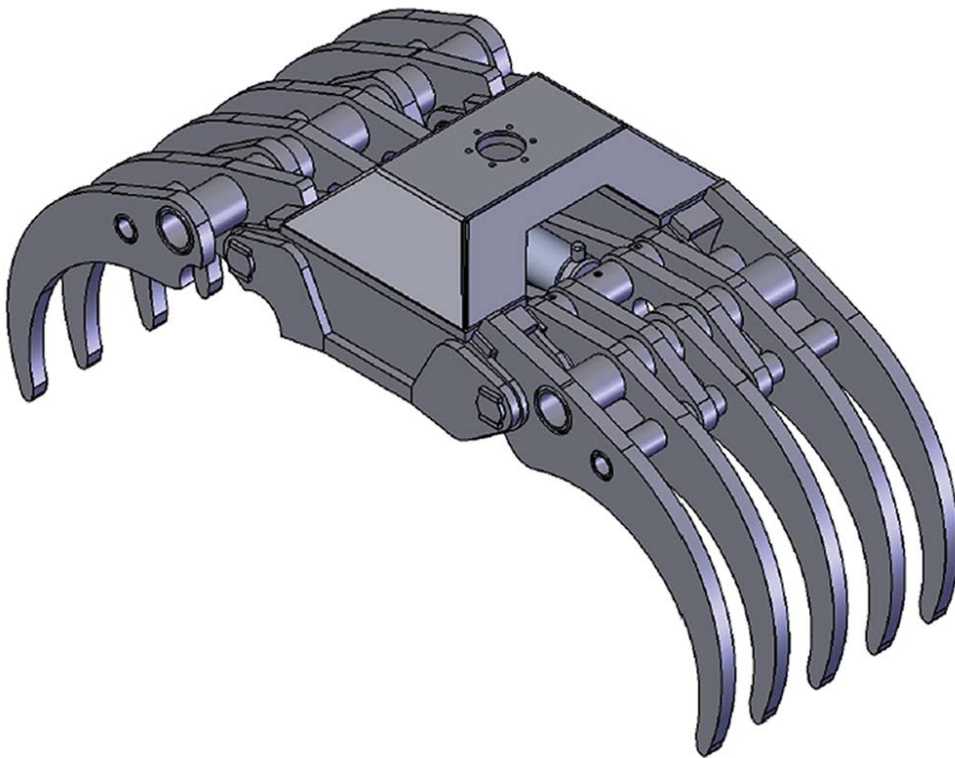
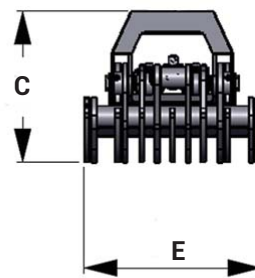
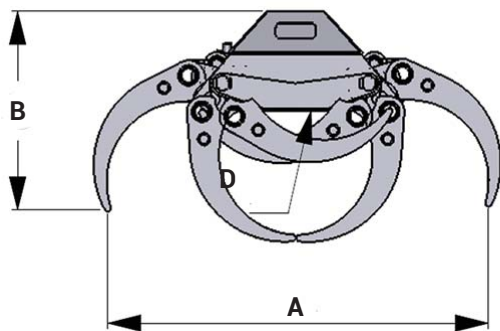


# TIGERGRIP | TG 55 UG-11



## KEY FEATURES

- Heavy duty
- Double guide bars
- Optimized roll in/roll out properties
- High pressure cylinder with double piston rod seals
- High tensile wear resistant steel (400 HB)
- Extra reinforced body for rigid mounting - excavator design



<b>A</b>	2295
<b>B</b>	1100
<b>C</b>	830
<b>D</b>	150
<b>E</b>	1140

## MODEL SPECIFICATIONS



TG 55 UG-11	1700	0,60	300	90	37,5	40	10	30	20			
-------------	------	------	-----	----	------	----	----	----	----	--	--	--

# INTERMERCATO

High performance lift and load attachments for Forestry, Transport, Construction and Recycling.

