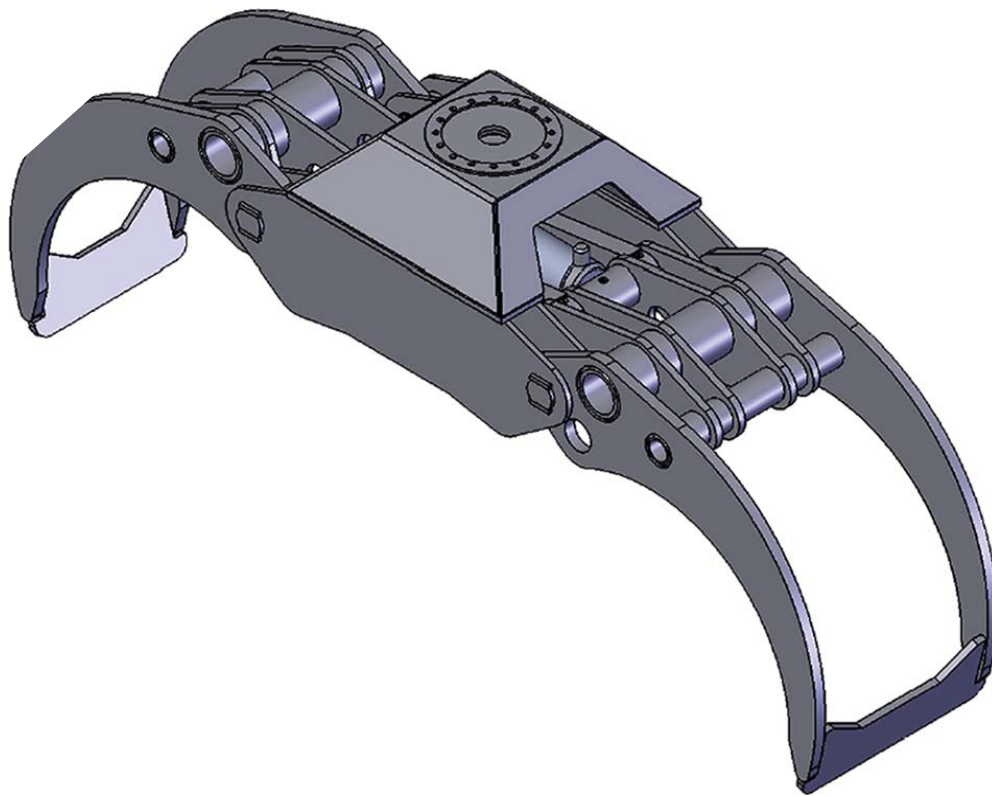
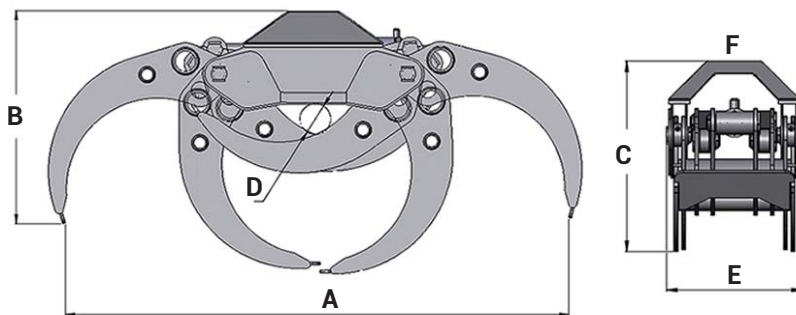


# TIGERGRIP | TG 55S



## KEY FEATURES

- Heavy duty
- Double guide bars
- Optimized roll in/roll out properties
- High pressure cylinder with double piston rod seals
- High tensile wear resistant steel (400 HB)
- Extra reinforced body for rigid mounting - excavator design



<b>A</b>	2438
<b>B</b>	1025
<b>C</b>	802
<b>D</b>	150
<b>E</b>	633
<b>F</b>	-

## MODEL SPECIFICATIONS



TG 55S	682	0,65	300	90	25	30	10	25	20	30		
--------	-----	------	-----	----	----	----	----	----	----	----	--	--

# INTERMERCATO

High performance lift and load attachments for Forestry, Transport, Construction and Recycling.

