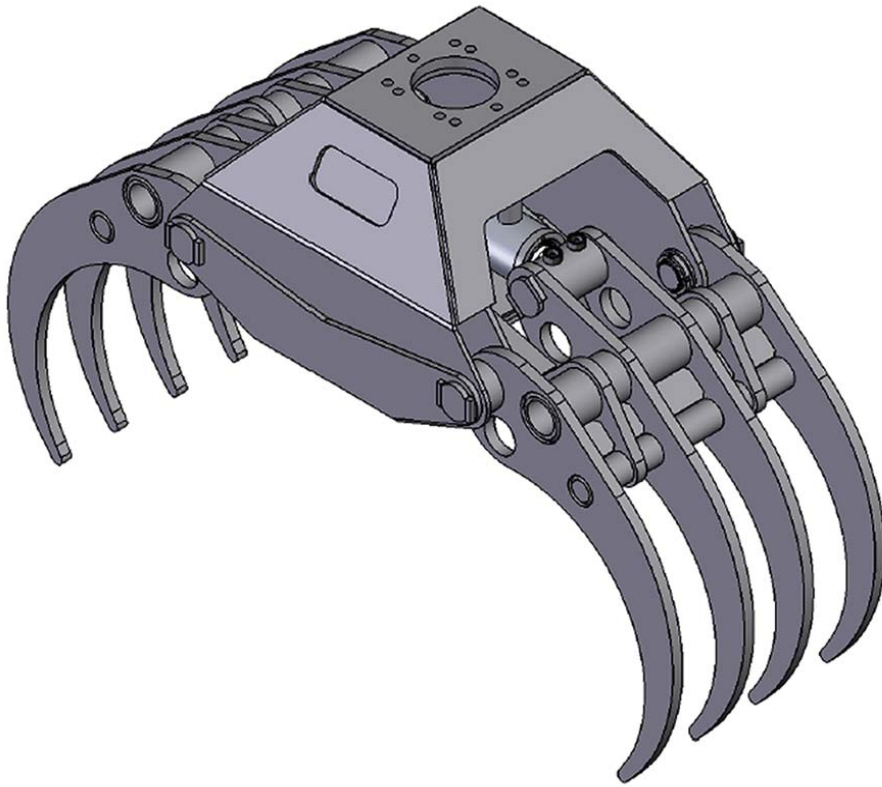
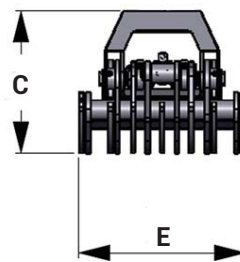
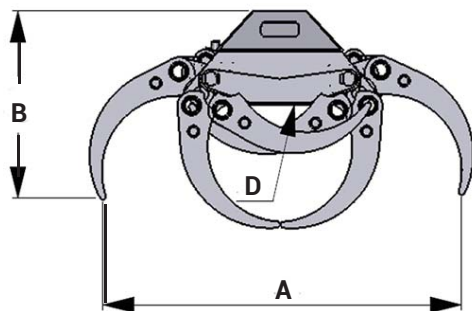


TIGERGRIP | TG 22 UG-9



KEY FEATURES

- Heavy duty
- Double guide bars
- Optimized roll in/roll out properties
- High pressure cylinder with double piston rod seals
- High tensile wear resistant steel (400 HB)
- Extra reinforced body for rigid mounting - excavator design



A	1085
B	855
C	582
D	80
E	568

MODEL SPECIFICATIONS



TG 22 UG-9	298	0,22	250	60	17	12	3	10	7			
------------	-----	------	-----	----	----	----	---	----	---	--	--	--

INTERMERCATO

High performance lift and load attachments for Forestry, Transport, Construction and Recycling.

