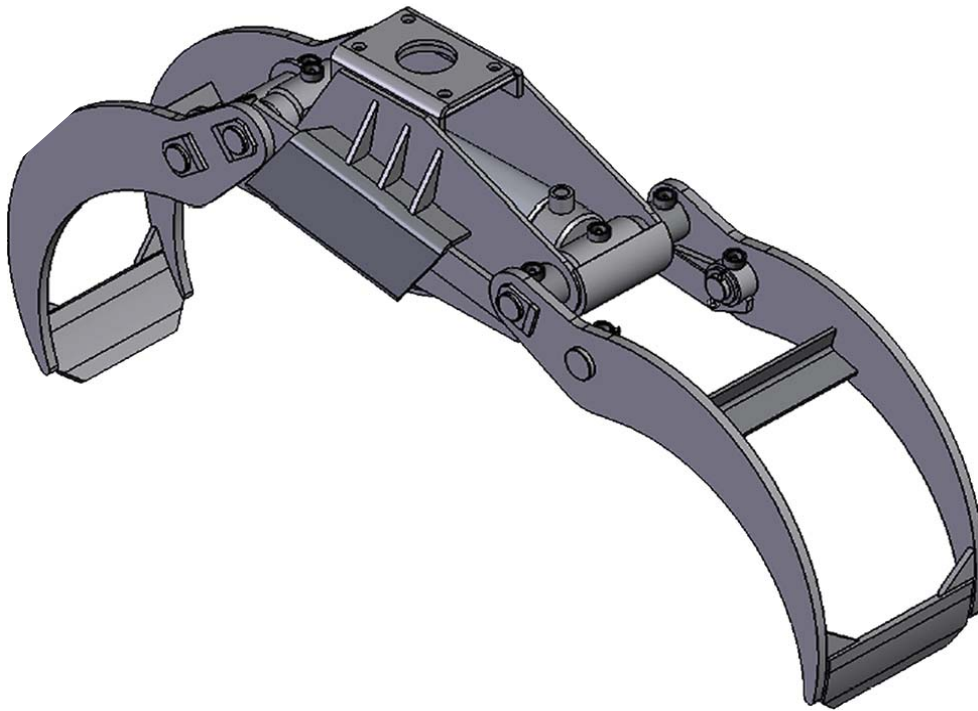
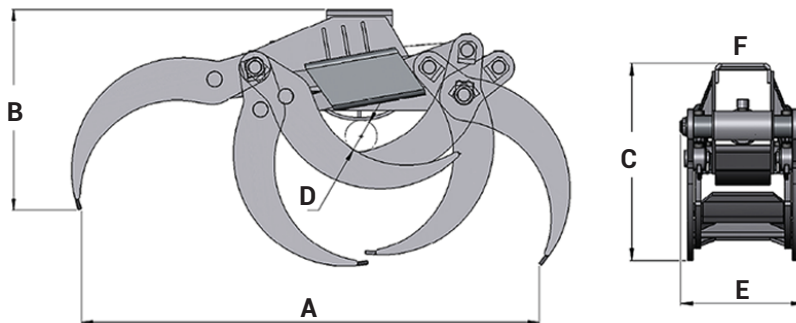


TIGERGRIP | TG 22S



KEY FEATURES

- Heavy duty
- Double guide bars
- Optimized roll in/roll out properties
- High pressure cylinder with double piston rod seals
- High tensile wear resistant steel (400 HB)
- Extra reinforced body for rigid mounting - excavator design



A	1310
B	576
C	514
D	90
E	321
F	173/4

MODEL SPECIFICATIONS



TG 22S	112	0,22	200	50	13,5	4	2	4	3	10		
--------	-----	------	-----	----	------	---	---	---	---	----	--	--

INTERMERCATO

High performance lift and load attachments for Forestry, Transport, Construction and Recycling.

