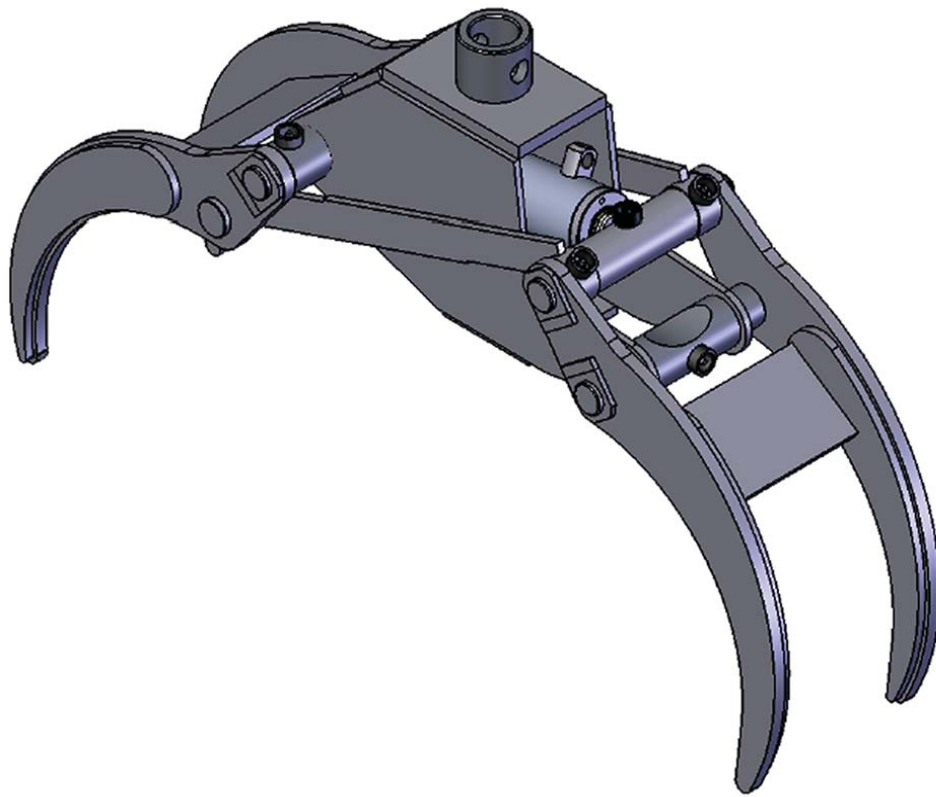
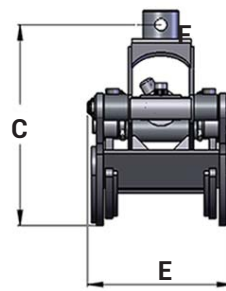
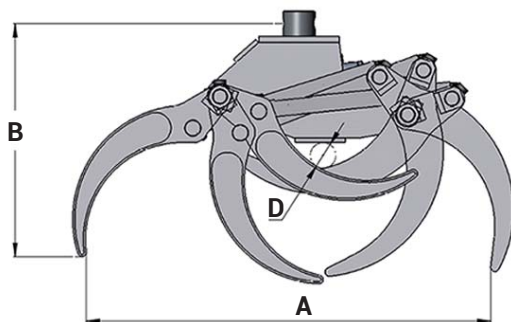


TIGERGRIP / TG 16 SR4



KEY FEATURES

- Double guide bars
- Optimized roll in/roll out properties
- High pressure cylinder with double piston rod seals



A	950
B	550
C	417
D	60
E	301
F	50/25

MODEL SPECIFICATIONS



TG 16 SR4

58

0,16

200

40

9

3

1

3

INTERMERCATO

High performance lift and load attachments for Forestry, Transport, Construction and Recycling.

