

OMME3150



This 31 m Spider Lift weighs only just over 4 t which means it is very suited for use on load-limited flooring. It also makes transport very economical. Variable position stabiliser legs and compact dimensions allow it to set up and operate almost anywhere.

The incredibly compact dimensions of the Omme allow it to be driven up narrow ramps. Being radio-controlled, the Omme can be carefully manoeuvred through tight areas. The soft non-marking rubber tracks ensure there is no damage to fragile surfaces.

Driven into position, the legs are quickly set up and away we go to previously inaccessible places! Being able to also safely elevate on sloping terrain, the Omme is just as at home off-road making it the ideal machine for tasks such as bridge maintenance and tree lopping in all types of locations.



Above Left: The 3150, strong, smooth, simple to operate and has many years of proven reliability.

Top: Classic Spider Lift habitat! The huge travel of the Omme's legs makes jobs like this a breeze.

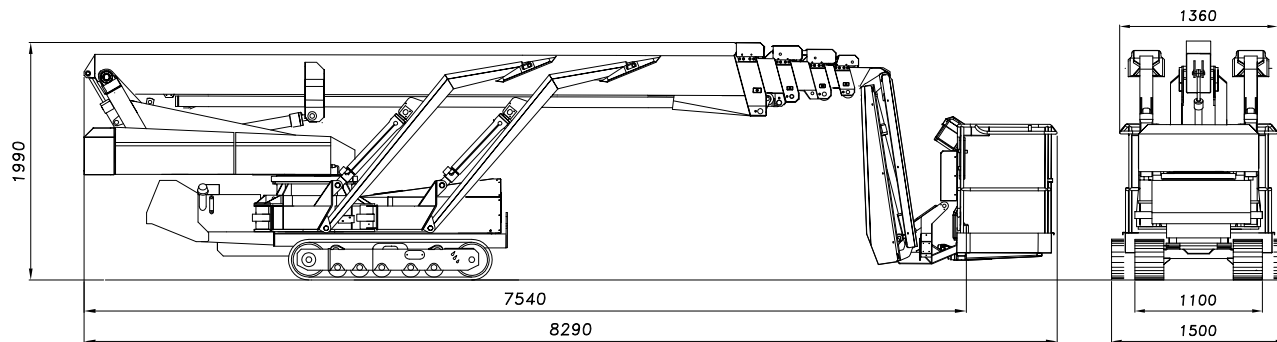
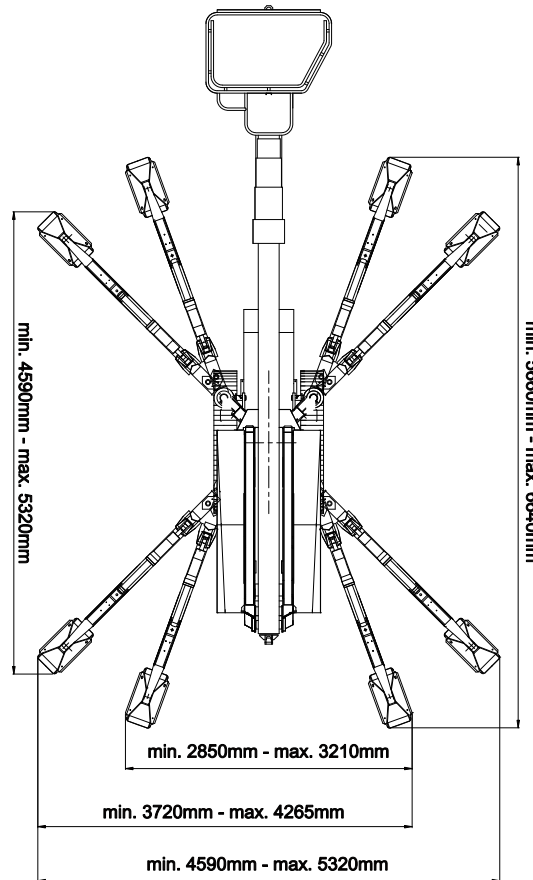
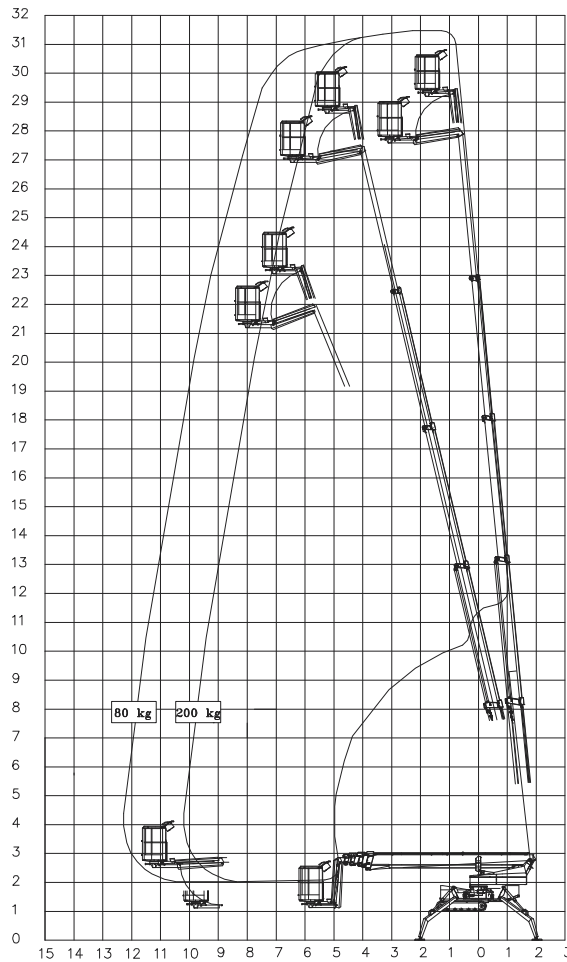
Above: It is incredible where you can take a Spider Lift.

Left: Variable position legs and compact dimensions allows this machine to reach places that were previously inaccessible.

OMME3150

Max working height	31.10 m
Max working height in narrow set	30.60 m
Max horizontal outreach	12.60 m
Max SWL	200 kg
Weight: Std tracks	4150 kg
: Expandable tracks	4300 kg
Turret rotation	710 °
Basket rotation	100 °
Ground pressure driving (approx)	61 kN/m ²
Max stabiliser force	28 kN
Max stabiliser pressure (std foot pad)	222 kN/m ²
Traffic load (live load) travelling	4.2 kN/m ²
Traffic load (live load) stabilised wide	2.3 kN/m ²
Traffic load (live load) stabilised narrow	3.2 kN/m ²
Auto levelling	Std
Max slope for stabilisers (no extra pads)	21.8 °
Gradeability lengthwise	19.3 °
Gradeability sideways	19.3 °
Standard power source	Kubota 20 Hp Diesel
Optional power source	N/A
Dual power options	Batteries
Expanding tracks	Optional
Drive Speed	2.5 km/h
Radio control	Std
Electric emergency lowering	Std

(All specs E&OE and subject to change)



SEE THE 3150
IN ACTION

