

Technical sheet :

# **1050 RT**

---



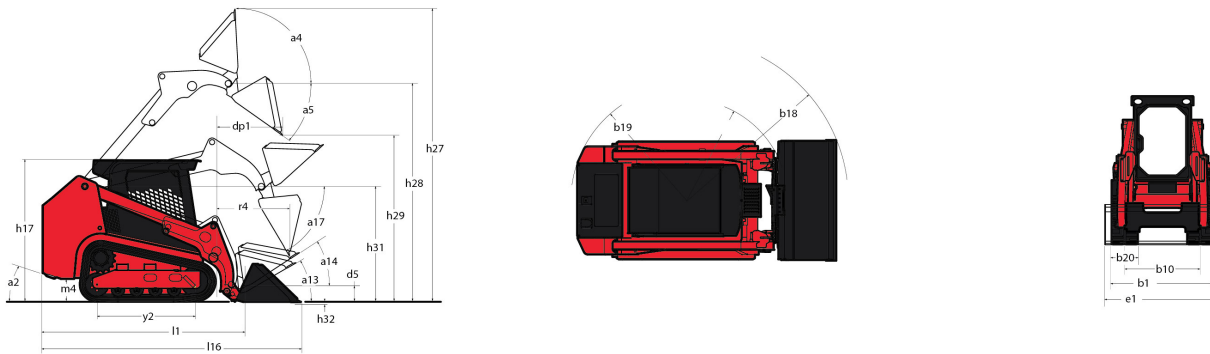
| Capacities                                |     | Metric             |
|---|-----|--------------------|
| Max. capacity                             | Q   | 1361 kg            |
| Operating Weight                          |     | 2141 kg            |
| Unladen weight                            |     | 1928 kg            |
| Operating Capacity at 35% Tipping Load    |     | 476 kg             |
| Operating Capacity At 50% Tipping Load    |     | 680 kg             |
| Tipping capacity                          |     | 1361 kg            |
| Weight and dimensions                     |     |                    |
| Overall Operating Height - Fully Raised   | h27 | 3650 mm            |
| Height to Hinge Pin - Fully Raised        | h28 | 2769 mm            |
| Reach - Fully Raised                      | dp1 | 673.1 mm           |
| Dump angle at full height                 | a5  | 38 °               |
| Dump Height - Fully Raised                | h29 | 2134 mm            |
| Maximum Rollback Angle - Fully Raised     | a4  | 102 °              |
| Overall Height to Top of ROPS             | h17 | 1816 mm            |
| Overall length with bucket                | l16 | 2985 mm            |
| Overall Length without Bucket             | l1  | 2258 mm            |
| Specified Height                          | h31 | 1466 mm            |
| Reach at Specified Height                 | r4  | 991 mm             |
| Dump angle at specified height            | a17 | 72 °               |
| Maximum Rollback Angle at Ground          | a13 | 32 °               |
| Carry Position                            | d5  | 127 mm             |
| Maximum Rollback Angle at Carry Position  | a14 | 32 °               |
| Digging Position                          | h32 | 0 mm               |
| Angle of Departure with STD Counterweight |     | 35 °               |
| Ground clearance                          | m4  | 191 mm             |
| Track gauge                               | b10 | 1039 mm            |
| Track Shoe Width                          | b20 | 250 mm             |
| Crawler base                              | y2  | 1283 mm            |
| Overall width less bucket                 | b1  | 1290 mm            |
| Bucket Width                              | e1  | 1372 mm            |
| Clearance Radius - Front with Bucket      |     | 1854 mm            |
| Clearance Circle - Rear                   | wa1 | 1290 mm            |
| Maximum rollback at specified height      |     | 72 °               |
| Angle of Approach                         |     | 90 °               |
| Grouser Height                            |     | 25 mm              |
| Track Type / Track Rollers / Roller Type  |     | Rubber / 4 / Steel |
| Performances                              |     |                    |
| Ground Speed - Single Speed               |     | 10.1 km/h          |
| Drawbar Pull/Tractive Effort              |     | 1996 kg            |
| Bucket Breakout - Tilt Cylinder           |     | 1346 kg            |
| Bucket Breakout - Lift Cylinder           |     | 1376 kg            |
| Engine                                    |     |                    |
| Engine brand                              |     | Yanmar             |
| Engine model                              |     | 3TNV88C-KMS        |
| Motor Type                                |     | Radial Piston      |
| Gross Power (kW) / Gross Power            |     | 25.5 kW / 2800 rpm |
| Net Power (kW) / Net Power                |     | 23.7 kW / 2800 rpm |
| Max. torque                               |     | 109.4 Nm           |
| Battery                                   |     | 12 V               |
| Cold Cranking Amps at Temperature (CCA)   |     | 800 A              |
| Alternator - Voltage / Ampere             |     | 12 V / 55 A        |
| Hydraulics                                |     |                    |
| Auxiliary hydraulics                      |     | 55 l/min           |
| Tank capacities                           |     |                    |
| Oil Pan Capacity                          |     | 5.87 l             |
| Hydraulic tank capacity                   |     | 30 l               |
| Fuel tank                                 |     | 36 l               |
| Coolant Capacity                          |     | 6.62 l             |
| Displacement / Number of cylinders        |     | 1.64 l / 3         |
| Noise and vibration                       |     |                    |
| Environmental noise (LwA)                 |     | 101 dB(A)          |
| Noise at driving position (LpA)           |     | 85.8 dB(A)         |
| Miscellaneous                             |     |                    |

Miscellaneous

Ground Pressure

0 Bar

## Dimensional drawing



## Equipment

|  |          |
|--|----------|
| ---  |          |
| Selectable Self-Leveling Hydraulic Lift Action 4 | Optional |
| <b>Lifting function</b>                          |          |
| All-Tach® Attachment Mounting System             | Standard |
| Auxiliary Hydraulics                             | Standard |
| IdealTrax™ Automatic Track Tensioning System     | Standard |
| <b>Motorization/Power</b>                        |          |
| Combination Radiator & Hydraulic Oil Cooler      | Standard |
| Dual-Element Air Cleaner with Indicator          | Standard |
| Engine Auto-Shutdown System                      | Optional |
| Glowplugs Starts Assist                          | Standard |
| <b>Operator station</b>                          |          |
| Foot Throttle                                    | Standard |
| Full-Suspension Seat                             | Optional |
| Multi-Function Function Display Screen           | Standard |
| ROPS/FOPS Level II Overhead Guard                | Standard |
| Sliding Side Windows                             | Standard |
| Swing-out Cab Door                               | Standard |
| <b>Pneumatics</b>                                |          |
| Rubber Track Undercarriage System                | Standard |
| <b>Safety</b>                                    |          |
| Anti-Vandalism Protection                        | Standard |
| Back-Up Alarm                                    | Standard |
| Easy Manager                                     | Standard |
| Engine Alert System with Error Display           | Standard |
| Mechanical Lift Cylinder Lock                    | Standard |
| <b>Secondary functions</b>                       |          |
| Counterweight                                    | Standard |
| Dedicated Undercarriage                          | Standard |



Siège Social  
430 rue de l'Aubinière - 44150 Ancenis Cedex - France  
Tel: +33(0)2 40 09 10 11 - Fax: +33 (0)2 40 09 10 97  
[www.manitou.com](http://www.manitou.com)



This brochure describes versions and configuration options for Manitou products which may be fitted with different equipment. The equipment described in this brochure may be standard, optional or not available depending on version. Manitou reserves the right to change the specifications shown and described at any time and without prior warning. The manufacturer is not liable for the specifications given. For more information, contact your Manitou dealer. Non-contractual document. Product descriptions may differ from actual products. List of specifications is not comprehensive. The logos and visual identity of the company are the property of Manitou and may not be used without authorisation. All rights reserved. The photos and diagrams contained in this brochure are provided for information only.

MANITOU BF SA - Limited company with board of directors - Share capital: 39,668,399 euros - 857 802 508  
RCS Nantes