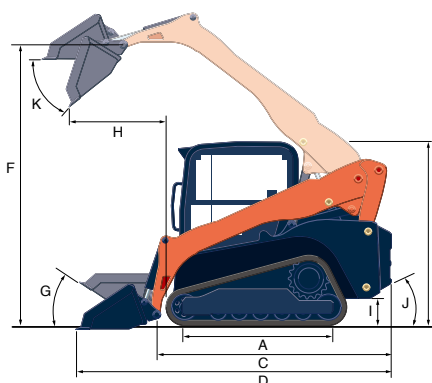
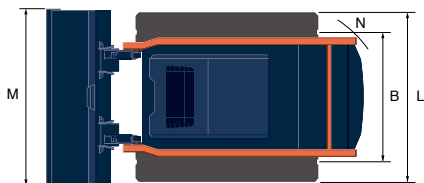


SPECIFICATIONS

Model		SVL75-2	SVL95-2s		
Type of operator station		Open CAB / Closed CAB	Open CAB / Closed CAB		
Engine	Model	V3307-CR-TE4	V3800-TIEF4		
	Emission certification	Tier 4	Tier 4		
	Gross HP (SAE J1995)	HP (kW)/rpm	74.3 (55.4)/2400	96.4 (71.9)/2400	
	Net HP (SAE J1349)	HP (kW)/rpm	68.8 (51.3)/2400	87.0 (64.9)/2400	
	Displacement	cc	3331	3769	
	Cylinders		4	4	
	Bore × Stroke	mm	94 × 120	100 × 120	
Aspiration		Turbocharged	Turbocharged		
Loader Performance	Rated operating capacity-35% tipping load	kg	1043	1451	
	Rated operating capacity-50% tipping load	kg	1490	2074	
	Tipping load	kg	2980	4147	
	Breakout force	Bucket	kg	2814	3611
		Lift arm	kg	2162	3058
Lift arm path		Vertical	Vertical		
Undercarriage	Track Width	Standard	mm	320	450
		Wide	mm	380	N/A
	Ground pressure	Standard	psi	5.6 / 5.8	4.4 / 4.5
		Wide	psi	4.7 / 4.9	N/A
	Track rollers (per side)			4	5
	Track ground contact length		mm	1436	1667
	Travel speed	Low	km/h	7.5	8.0
		High	km/h	11.5	11.7
Traction force		kg	4390	5524	
Min. ground clearance		mm	296	293	
Hydraulic system	Aux. hydraulic flow	Std./High	ℓ/min.	66.0 / 110.9	N/A / 152
	Aux. hydraulic pressure		kgf/cm ²	224.0	249.8
Service refill capacities	Hydraulic system		ℓ	60	68
	Hydraulic tank		ℓ	35	38.1
	Fuel tank		ℓ	93	109
	DEF tank		ℓ	N/A	18.8
Operating weight (Includes operator weight 75 kg)		kg	4100 / 4225	5125 / 5250	

The company reserves the right to change the above specifications without notice. This brochure is for descriptive purposes only. Please contact your local Kubota dealer for warranty information. For your safety, Kubota strongly recommends the use of a Rollover Protective Structure (ROPS) and seat belt in almost all applications.

DIMENSIONS



Model	SVL75-2	SVL95-2s		
A Length of track on ground	mm	1436	1667	
B Track gauge	mm	1355	1512	
C Length w/o bucket	mm	2768	3137	
D Length w/bucket on ground	mm	3576	3929	
E Height to top of cab	mm	2083	2116	
F Bucket hinge pin height at max. lift	mm	3025	3264	
G Rollback angle at carry position	degree	27	27	
H Reach at max. lift and dump	mm	1060	1035	
I Ground clearance	mm	296	293	
J Departure angle	degree	31.5	31	
K Max. dump angle	degree	40	43	
L Vehicle width	Standard track / Wide track	mm	1675 / 1735	1962
M Width with bucket		mm	1727	2032
N Turning radius from center-machine rear		mm	2720	3220