



ROCCBOX



USER MANUAL

DANGER

If you smell gas:

- Shut gas off to the appliance.
- Extinguish any open flame.
- If odour continues, keep away from the appliance and immediately call your fire department.

This instruction manual contains important information necessary for the proper assembly and safe use of the appliance.

Read and follow all warnings and instructions before assembling and using the appliance.

Follow all warnings and instructions when using the appliance.

Keep this manual for future reference.

Never operate this appliance in enclosed areas.

Failure to follow these instructions could result in fire or explosion which could cause property damage, personal injury or death.

- Never operate this appliance unattended.
- Never operate this appliance within 10ft (3.0m) of any structure, combustible material or other gas cylinder.
- Never operate this appliance within 25ft (7.5m) of any flammable liquid.
- Do not fill cooking vessel beyond the limitation of the door dimensions.
- Heated liquids remain at scalding temperatures long after cooking process. Never touch cooking appliance until liquids have cooled to 115°F (45°C) or less.
- If a fire should occur, keep away from the appliance and immediately call your fire department. Do not attempt to extinguish an oil or a grease fire with water.

HEY!

You're now an official Rocccbox owner and part of our family, which means average food is a thing of the past! Prepare your taste buds and make sure the supermarket is still open because your next meal is about to get interesting!



ROCCBOX 2018

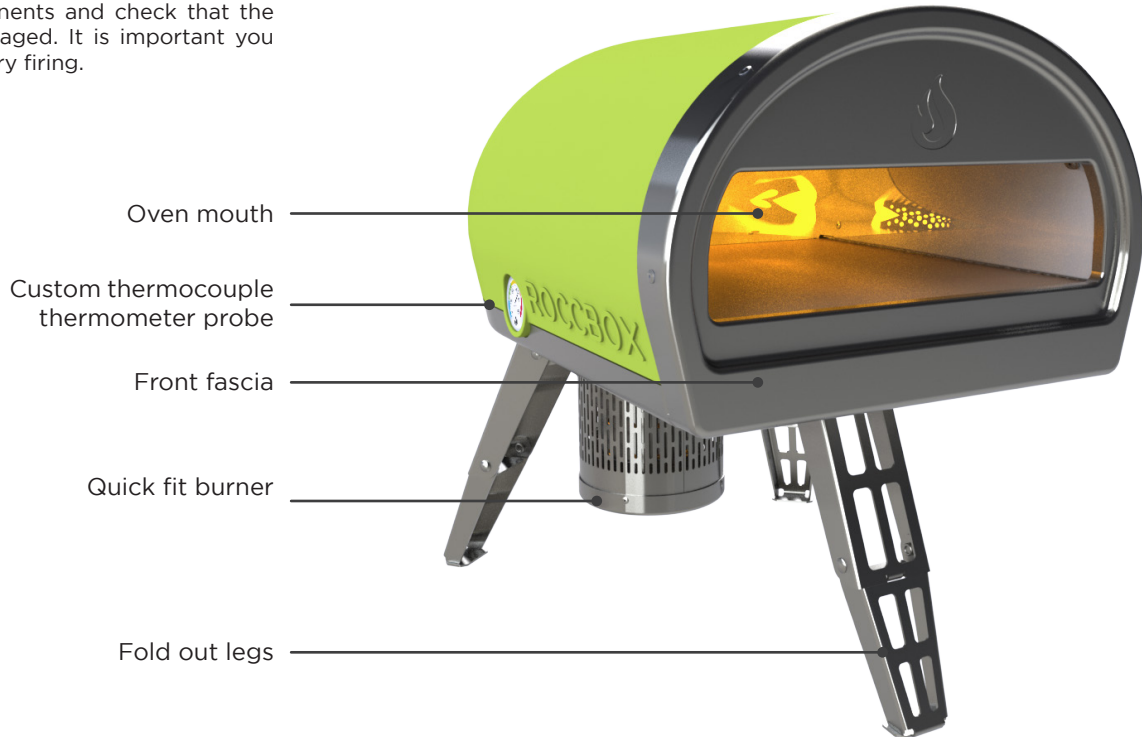
CONTENTS

Say hello to Rocbox			
Show you the ropes	8	That really interesting part...	
General Safety		Warranty	50
Overview of safety information	10	Regulatory Compliance	52
Partial Enclosures	12	End of Life	52
What to do if there's a fire	14	General Advice	53
Areas that need caution	15	Safe Setup	54
Carbon Monoxide	16	Safe Operation with Wood	55
		Safe Operation with Gas	56
Firing up Wood		Recipes	57
Burner Assembly	20		
Wood Safety	21		
Woods to Use	22		
First Firing	24		
Cleaning and Maintenance	26		
Firing up Gas			
Burner Assembly	30		
Gas Safety	32		
Connecting to Gas	36		
Checking for Gas Leaks	42		
Disconnecting from Gas	44		
First Firing	46		
Cleaning and Maintenance	48		

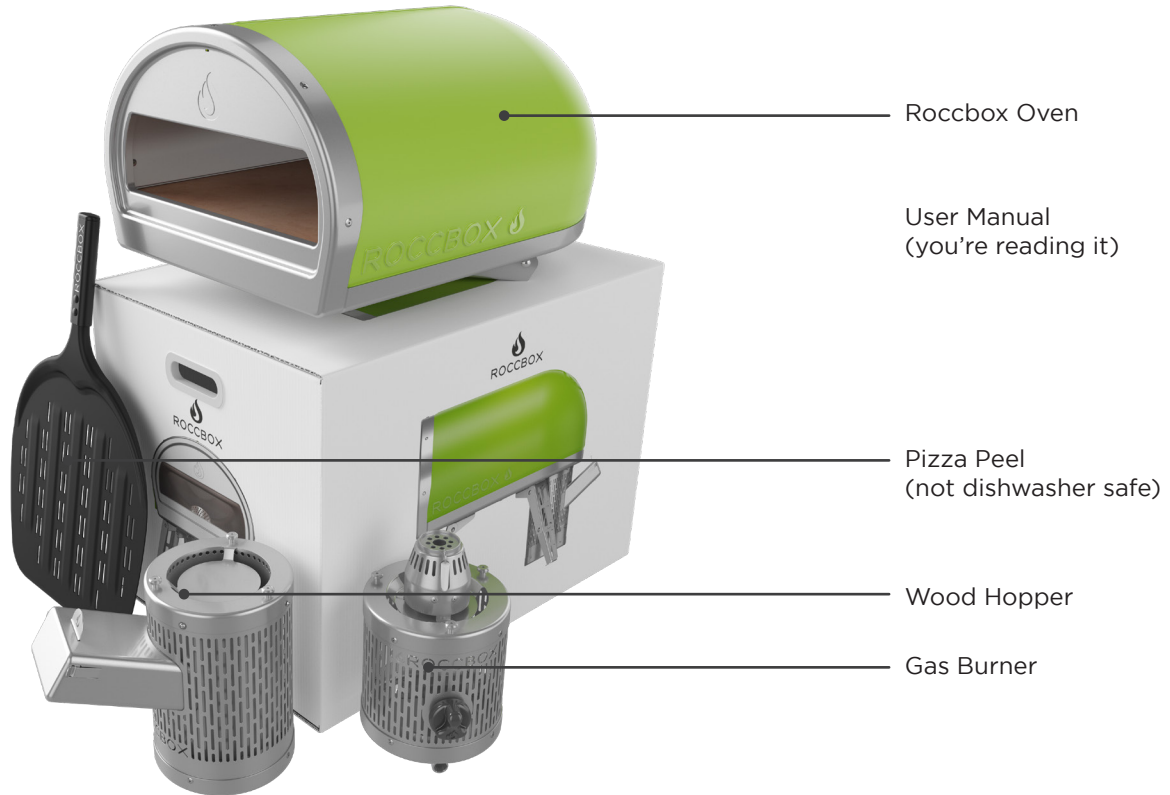


SHOWING YOU THE ROPES

Just check no one's looking, else you may seem a little crazy! But seriously, take a second to familiarise yourself with all of Rocccbox's components and check that the product isn't damaged. It is important you do this before every firing.



SAY HELLO TO ROCCBOX



Roccbox Oven

User Manual
(you're reading it)

Pizza Peel
(not dishwasher safe)

Wood Hopper

Gas Burner

STOP!

Before you burn down the house with your mad cooking skills, it is important you read this safety information. Failure to follow these instructions could result in fire or explosion which could cause property damage, personal injury or death. Assembly and usage of the oven should be carried out by a competent person.

This appliance has to be installed on a secure level base prior to use.

WARNING: This appliance will become very hot, do not move it during operation.

WARNING: Keep away from children and pets.



Do not store combustible material within 45cm (18inches) of the burner or mouth of the oven.



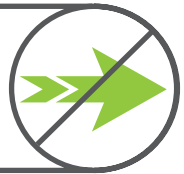
Do not use in enclosed areas. Roccbox and the burner must be well ventilated.



Do not use plastic or glass utensils inside the Roccbox

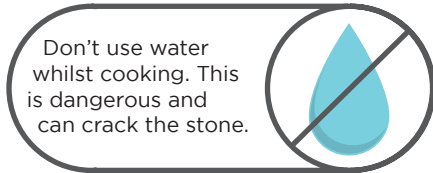


Do not move or leave the Roccbox unattended whilst in use.



WARNING: - Failure to follow the instructions and observe the warnings provided in this operating manual could result in serious bodily injury or damage to property. Please read the complete manual before assembly or operation of your Roccbox. **NOTE TO INSTALLER:** This manual must remain with the owner for future reference.

GENERAL SAFETY



Warning: Contact your local municipality for any building codes regulating the installation of outdoor barbecue appliances. Outdoor installations must conform to local codes or, in the absence of local codes, with the following:

USA: National Fuel Gas Code, ANSI Z223.1/ NFPA 54

CAN: CGA: B149.1 Natural Gas & Propane Installation Code.

AUST/NZ: Australian Standards Code AS: 5601 as well as the requirements of any local council, gas electricity authority or other statutory regulation.

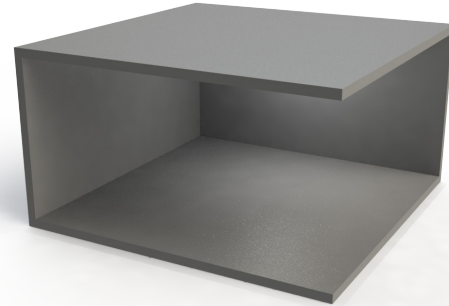
Spanner tighten all gas fittings as per instructions.

Do not modify the appliance. Parts sealed by the manufacturer or the company shall not be manipulated.

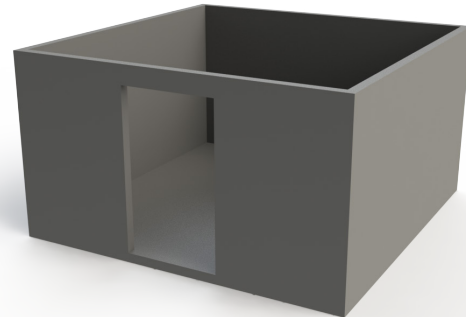
PARTIAL ENCLOSURES

The appliance shall only be used in an above ground, open air situation with natural ventilation, without stagnant areas, where gas leakage and products of combustion are rapidly dispersed by wind and natural convection. Any enclosure in which the appliance is used shall comply with one of the following:

Within a partial enclosure that includes an overhead cove and no more than two walls. A common example is an outdoor gazebo.



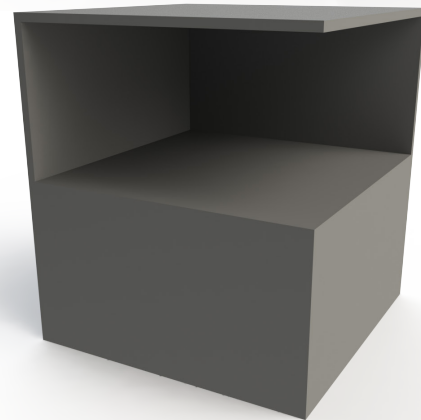
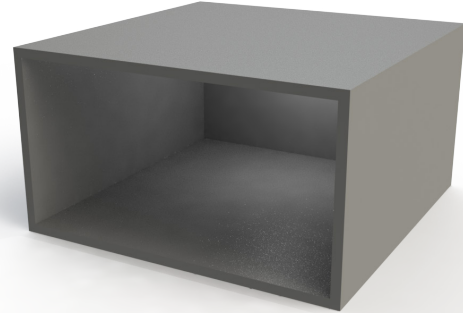
Any enclosure with walls on all sides but at least one permanent opening at ground level



GENERAL SAFETY

The appliance may be within a partial enclosure that includes an overhead cover and more than two walls, the following shall apply:
at least 25% of the total wall area is completely open; and
at least 30% of the remaining wall area is open and unrestricted.

Within a partial enclosure that includes an overhead cove and no more than two walls. A common example is an outdoor gazebo.



FIRE

Most fires are caused by a build up of grease, or (if using gas) an improper gas connection. Ensure all people and pets are kept as far away as possible.

If you are able, turn the gas off at the cylinder or the on/off valve where applicable. Use a fire extinguisher if possible. If water is the only fire retardant available, thoroughly soak the area around the appliance. When spraying water on the Rocibox itself, do not use a strong jet of water, as this may cause splashing of burning grease, resulting in a further spreading of the fire.



GENERAL SAFETY

HOT!

The inside of the oven can reach extremely high temperatures. Therefore the front end cap and burners can get especially hot. Please use caution when operating the oven.



Do not touch! The Roccbox can get extremely hot when in operation. Be sure to wear protective gloves.



CARBON MONOXIDE

Carbon Monoxide is a highly poisonous gas which can be produced when the device isn't working correctly. Whether you are using gas or wood, carbon monoxide can be produced when the burner is not receiving enough ventilation. We therefore recommend using the device in a well ventilated area away from direct wind and to never cover the oven mouth.

It is difficult to know when your device is producing Carbon Monoxide as it is an odourless and colourless gas. It can, however cause these symptoms when you are exposed to it:

Tightness across the forehead

Headache,

Weakness,

Dizziness,

Nausea,

Vomiting,

Coma, intermittent convulsions,

Depressed heart action, slowed respiration,

If the exposure has been severe it may cause death.

PRODUCT INFORMATION

Rocibox Limited. Units 18 & 19, Radar Way, Christchurch, Dorset, BH23 4FL UK.				
Appliance Name		Rocibox oven		
Model/Type No.		RBX1 - 2016		
Trade name		Rocibox		
Total nominal heat output for the gas burner		4.2 kW (306 g/h) for $I_{3+(28-30/37)}$ & $I_{3B/P(30)}$ 4.5 kW (408 g/h) for $I_{3B/P(50)}$		
Injector size	1mm	1mm	0.95mm	
Gas Category	$I_{3+(28-30/37)}$	$I_{3B/P(30)}$	$I_{3B/P(50)}$	
Gas Type	Butane	Propane	Butane, Propane or their mixtures	Butane, Propane or their mixtures
Gas Pressure	28-30 mbar	37 mbar	28-30 mbar	50 mbar
Destination countries	BE, FR, IT, LU, IE, GB, GR, PT, ES, CY, CZ, LT, SK, CH, SI and LV	LU, NL, DK, FI, SE, CY, CZ, EE, LT, MT, SK, SI, BG, IS, NO, TR, HR, RO, IT, HU and LV.	AT, DE, SK, CH, LU	
<p>Use outdoors only.</p> <p>CE Read the instructions before using the appliance. WARNING: accessible parts may be very hot. Keep young children away. WARNING! Do not use spirit or petrol for lighting or re-lighting! (for wood burner)</p> <p>0359-18 Pin Code: 0359CT3383</p>				

LETS COOK
Your guide to burning wood

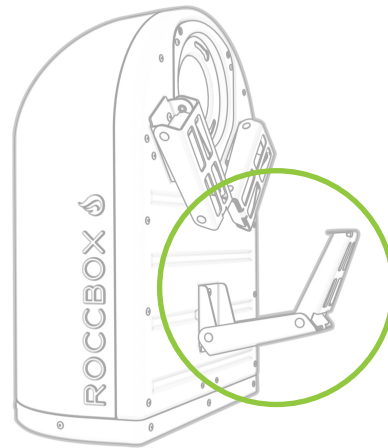


SETTING UP THE WOOD



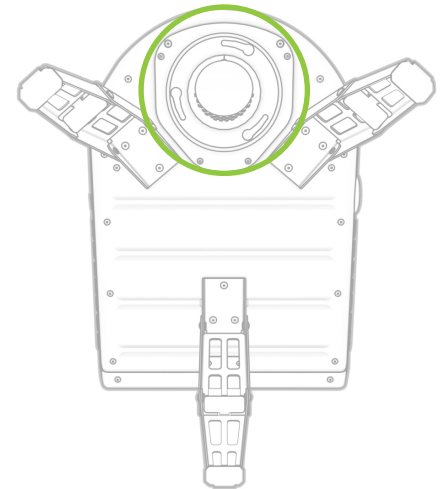
①

Place Roccbox on a flat even surface. Remove any transit protection and the carry strap



②

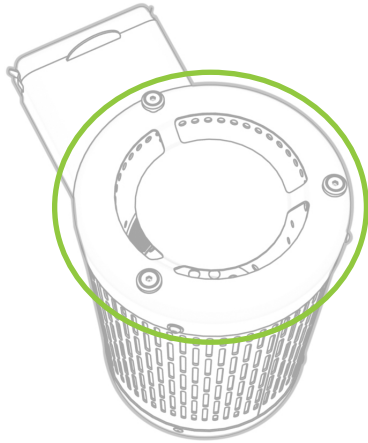
Unfold the legs



③

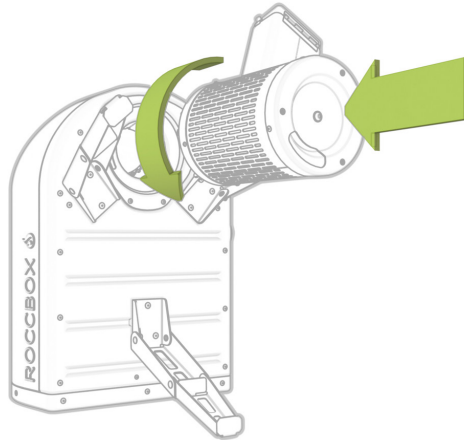
Bayonet fitting on Roccbox

FIRING UP WOOD



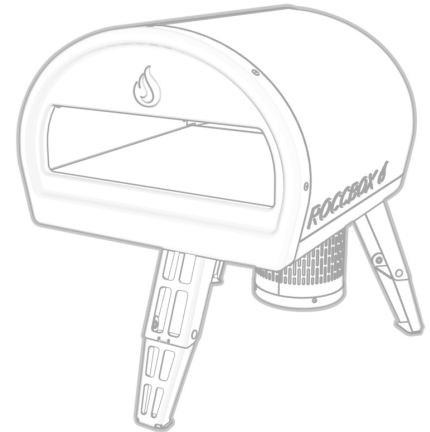
④

Bayonet fitting on Burner



⑤

Push and twist anticlockwise



⑥

Done!

WOOD SAFETY

Before you burn down the house with your mad cooking skills, you'll need to read these safety concerns. For more information regarding safety please read the comprehensive safety page at the back of the manual.

This appliance has to be installed on a secure level base prior to use.

WARNING: This appliance will become very hot, do not move it during operation.

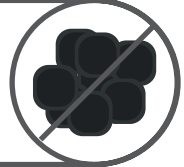
WARNING: Keep away from children and pets.



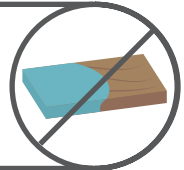
Do not use spirit or petrol for lighting or re-lighting! Use only firelighters complying to EN1860-3!



Do not use charcoal or barbecue coals.



Do not use treated or painted wood.



Do not use soft woods (pine and sappy woods) or freshly cut wood.



WOODS TO USE

WOODS NOT TO USE

Pine
Fir
Cedar
Redwood
Spruce
Old Pallets
Painted. Stained wood
Unknown timber
Old Christmas Trees
Books

WOODS TO USE

Ash
Oak
Beech
Fruit trees Apple, Pear etc
Compressed Briquettes

LETS COOK! (FOR REAL THIS TIME)

STEP 1 Using your kiln dried, non treated wood, chop into chunky kindling lengths of around 5 inches (12.5cm) and up to an inch thick (2.5cm).

Using a natural fire lighter, place in the centre of the Rocccbox Wood Burner Hopper and light it. After the fire lighter has lit fully, push it down the Hopper shoot and into the Wood Burning Chamber.

STEP 2 Introduce two or three pieces of kindling and leave to burn for a few minutes. Once the first two or three pieces are burning fully you should be able to see a flame at the back of the Rocccbox oven. At this point you can then add additional pieces, we recommend 3-4 initially and begin to bring your Rocccbox up to cooking temperature.

ROCCTIP

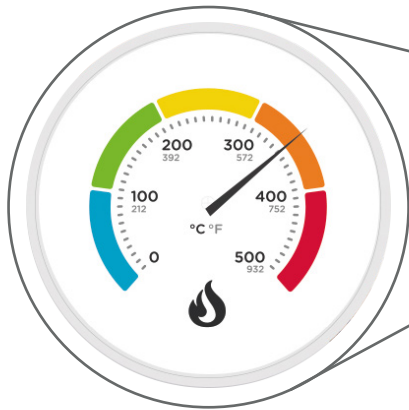
For the first firing after purchasing, we highly recommend firing the oven up slowly over a 30 minute period, keeping the temperatures low. This is to help properly cure the oven.

Warning: This appliance will become extremely hot. Do not move and keep away from children and pets.



FIRING UP WOOD

STEP 3 Check the dial, when that hits 300 you're ready to cook. It should take around 15 - 20 minutes. Do not over fill the oven whilst cooking. This can damage the oven.



ROCTIP

Always allow your oven to be heated up and the fuel kept hot for at least 30 minutes prior to the first cook.

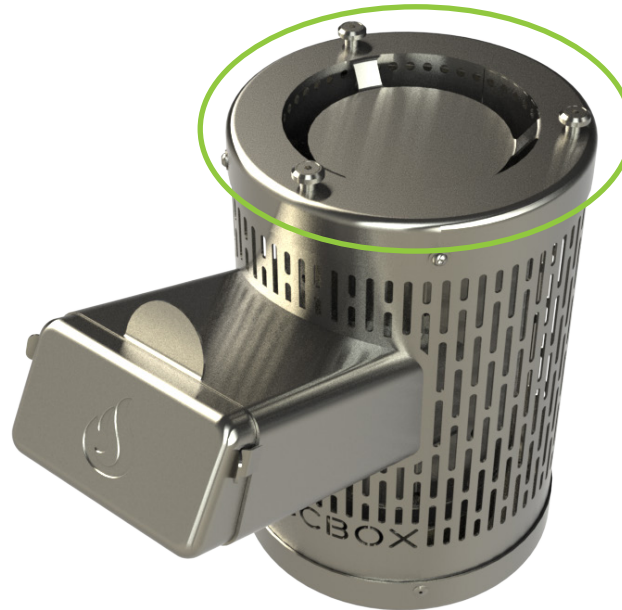
Never cover the front of the oven when it is in operation. This will cause damage to the oven.

CLEANING & MAINTENANCE

Put those Marigolds down! The Rocibox doesn't need cleaning, it gets so darn hot that it incinerates every little bit of grime during the next firing.

You will, however, need to keep the burner clean of food debris so that it can run at optimum efficiency. Use compressed gas or a brush to clean around the top of the burner. Use warm soapy water for the oven outer.

Store Rocibox in its upright position in a dry and secure place that protects it from the elements.



Protect Rocibox from the adverse weather. Including rain and high winds.



No chemicals.
No abrasive methods.
No fuss.



DISPOSAL OF ASH

Even if it's been over 24 hours since firing, the ash from your oven can still be a fire risk. Ensure you wait until the oven and burner are definitely cool before attempting to remove the ash. Regardless of the exterior temperature of the wood burner, Rocccbox recommends the use of protective gloves to remove the burner and place any ash in a metal bucket with a sealable lid away from combustible materials.

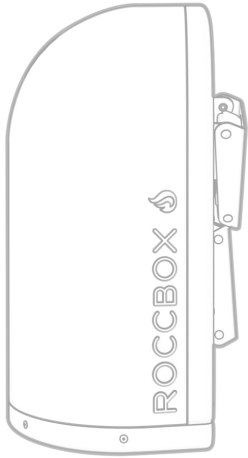
Wear protective gloves whilst emptying the contents of the wood burner into a fire safety bucket.



LETS COOK
Your guide to burning gas

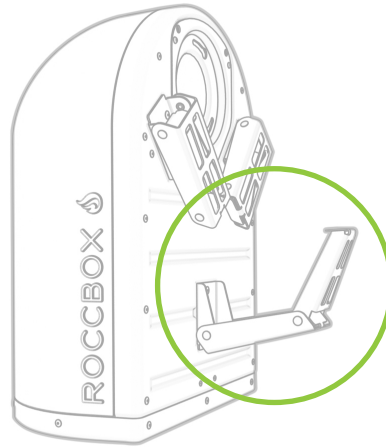


SETTING UP THE GAS



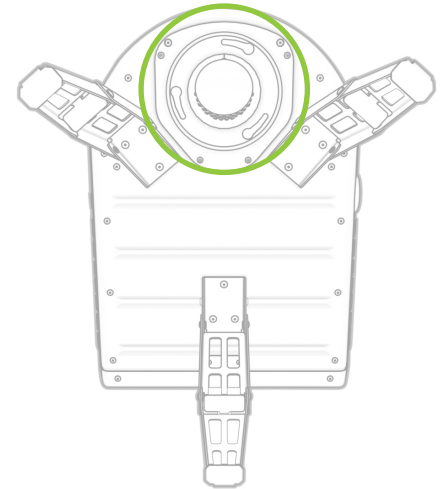
①

Place Roccbox on a flat even surface. Remove any transit protection and the carry strap



②

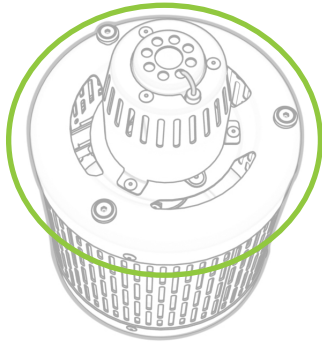
Unfold the legs



③

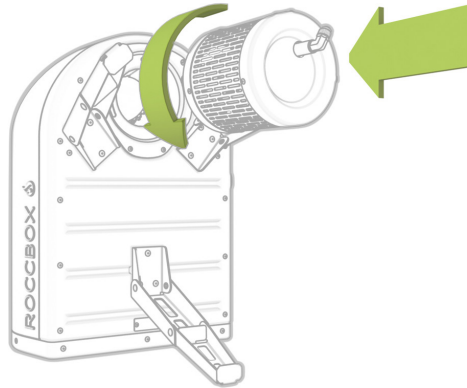
Bayonet fitting on Roccbox

FIRING UP GAS



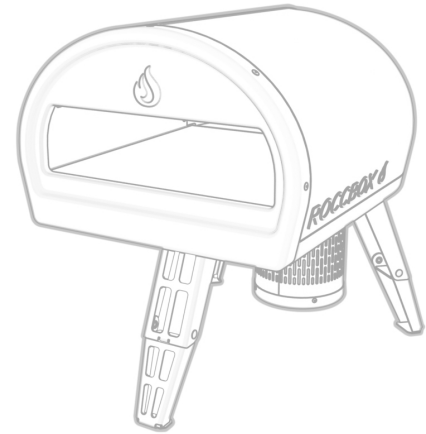
④

Bayonet fitting on Burner



⑤

Push and twist anticlockwise



⑥

Done!

GAS SAFETY

WARNING

Prior to use, check the oven and burner and venturi for blockages (eg, food residue or insect nests - Wasps, Bees or Ants.) If an insect nest is found they can be dangerous and must be cleaned out thoroughly. Please refer to the cleaning and maintenance sections at the end of this chapter for guidance on how to do this.

Should the appliance go out for any reason, turn off the control knob and the cylinder gas valve. Wait 5 minutes before attempting to relight the appliance.

Some foods produce flammable fats and juices. Attend to an operating Rocccbox at all times. Damage caused by fat and grease fires is not covered by warranty. If a grease or fat fire should occur, immediately turn off burner knob and the gas cylinder valve until the fire is out. Remove all food from the appliance.

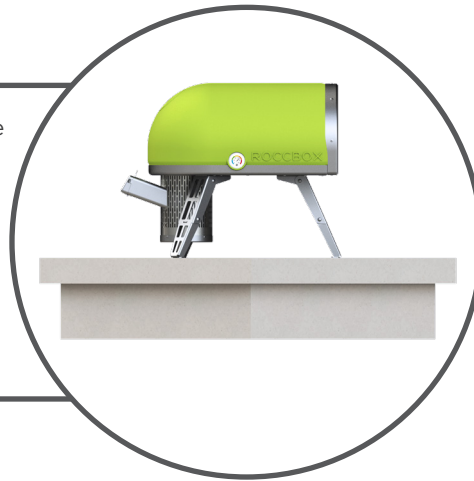
A leak test must be carried out prior to using the appliance for the first time and whenever the gas cylinder is refilled or whenever the gas hose and regulator have been disconnected from the gas cylinder or appliance.

FIRING UP GAS

This appliance has to be installed on a secure level base prior to use.

WARNING: This appliance will become very hot, do not move it during operation.

WARNING: Keep away from children and pets.



Do not store combustible material within 45cm (18inches) of the burner or mouth of the oven.



Do not use in enclosed areas. Roccbox must be used outdoors.



GAS SAFETY

WARNING

Please take a moment to review all of the safety requirements before operating the appliance when using gas.

Do not disconnect any gas fittings while the appliance is operating.



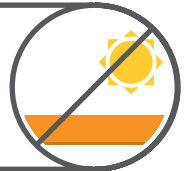
Check all gas hose lines and connections for cuts, cracks and other damage.



Gas cylinders must not be stored in enclosed areas.



Keep the fuel supply hose away from heated surfaces or direct sunlight

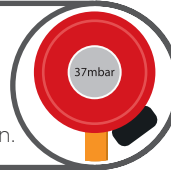


FIRING UP GAS

Do not use any additional flammable substance whilst operating with gas.



A regulator which complies with EN16129 must be fit between the gas canister and the oven.



Maximum length of hose cannot exceed 1.5m. In Finland, hose length cannot exceed 1.2m

1.2m

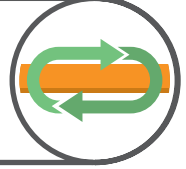
Do not touch! The Rocibox can get extremely hot when in operation. Be sure to wear protective gloves.



Do not position the gas canister under the oven.



National requirements state how often to replace the hose. Please review this for your area.



Keep the cylinder outdoors in it's upright position.



Never use a naked flame to check for gas leaks.



Never fill the cylinder beyond 80 percent full.



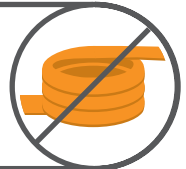
Do not connect multiple gas canisters to Rocibox or store a spare within the same vicinity



Do not use natural gas! It can damage the oven.



Make sure the flexible tube is not twisting when the appliance is in operation.



CONNECTING TO GAS

STEP 1 Before you begin, check that the gas you have is Propane LPG.

Minimum Propane LPG cylinder capacity for use with this appliance is 4kg / 9 lb. Maximum cylinder capacity is 9 kg / 20 lb. The gas cylinder used must incorporate a safety collar to protect the valve assembly. Do not use a rusty or dented gas cylinder or cylinder with a damaged gas valve.

For US & Canadian Customers

Gas cylinder, must be constructed and marked in accordance with the specifications for LP gas cylinders, U.S. Department of Transportation (DOT) or the Standard for Cylinders, Spheres and Tubes for the Transportation of Dangerous Goods, CAN/CSA-B339.

WARNING

If at any point you smell gas:
Shut off the gas from the canister
Turn off the switch on the Rocibox
Extinguish any open flames.
If odour continues, move away from the oven and gas supply then contact your gas supplier or fire service.

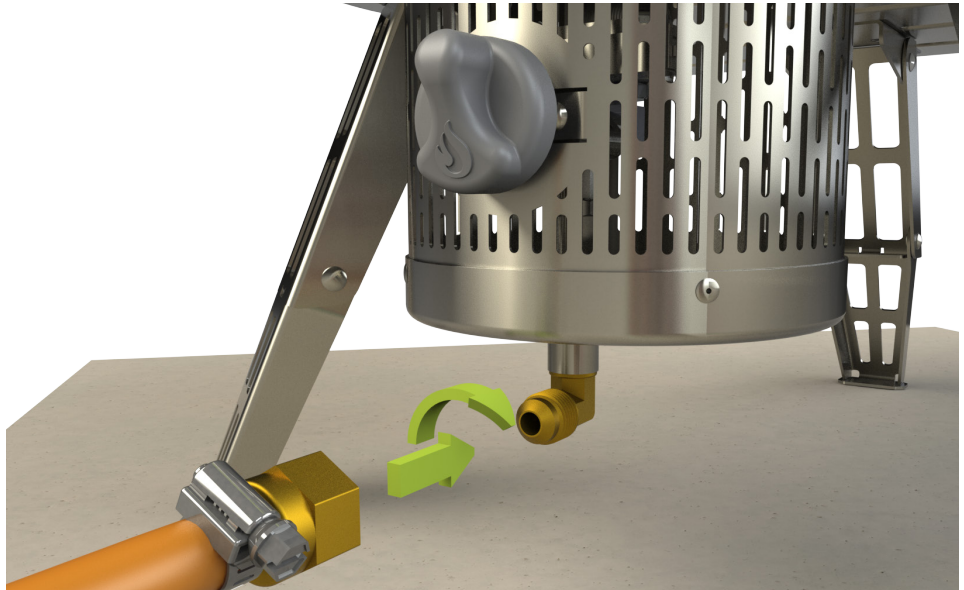


FIRING UP GAS

STEP 2 Ensure that the Rocibox is off by twisting the nob clockwise until it clicks. The handle should be vertical.

The hose should already be connected to the Rocibox however if you want to change the regulator simply turn the nut anti-clockwise and remove the hose.

When reattaching the hose turn the nut clockwise whilst holding the hose to allow a uniformed fit. Use a spanner to tighten.



WARNING

It is recommended that you replace the hose every 5 years. Some countries may have different requirements, therefore you must adhere to their specified time period. Do not connect the regulator to the canister first!

Gas regulator supplied may not be suitable for use in your territory or region, please refer to your local regulations for more information.

CONNECTING TO GAS

STEP 3 Connect the regulator to the gas canister. Some regulators push on to the canister whilst others have a left or right hand screw thread. Take a moment to review which regulator you have and follow the instructions accordingly. Don't force the regulator as this could damage the gas bottle.

WARNING

Make sure that the LP cylinder or regulator valve is closed.

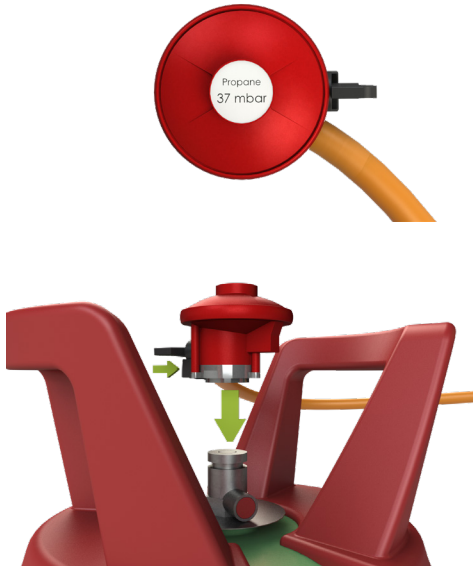
Do not store a spare LP cylinder under or near this appliance.



FIRING UP GAS

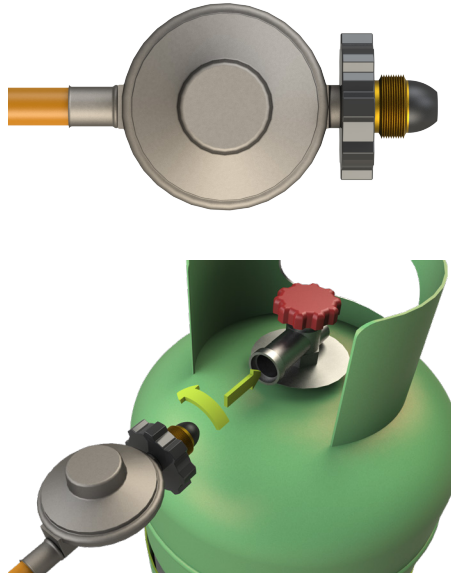
PUSH FIT GAS REGULATOR

Push fit gas regulator. Make sure the black switch is in the horizontal position so that the black button below it can be pressed. Whilst holding the black button, carefully align the gas valve with the regulator and push it down to lock it in place.



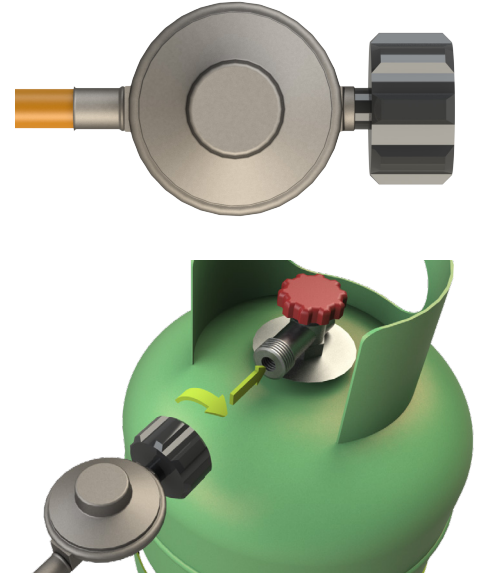
ANTICLOCKWISE GAS REGULATOR

Screw thread gas regulator. Ensure the gas is turned off on the bottle by twisting the handle anticlockwise. Whilst aligning the regulator with the gas bottle, twist the handle and ensure a tight fit has been made.



CLOCKWISE GAS REGULATOR

Screw thread gas regulator. Ensure the gas is turned off on the bottle by twisting the handle clockwise. Whilst aligning the regulator with the gas bottle twist the handle and ensure a tight fit has been made.

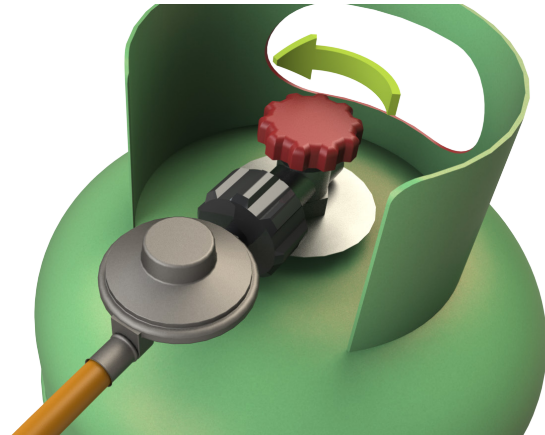


CONNECTING TO GAS

STEP 4 Now turn the gas on at the canister.
For screw thread regulators, push down and turn the handle at the top of the canister anticlockwise.

For push fit regulators turn the handle on the side of the regulator. Inspect the fittings and pipes for fizzing of gas.

Warning: Keep the fuel supply hose away from any heated surfaces.



WARNING

You should check for gas leaks every time you disconnect and reconnect a gas fitting.

Do not ignite burners when leak checking.

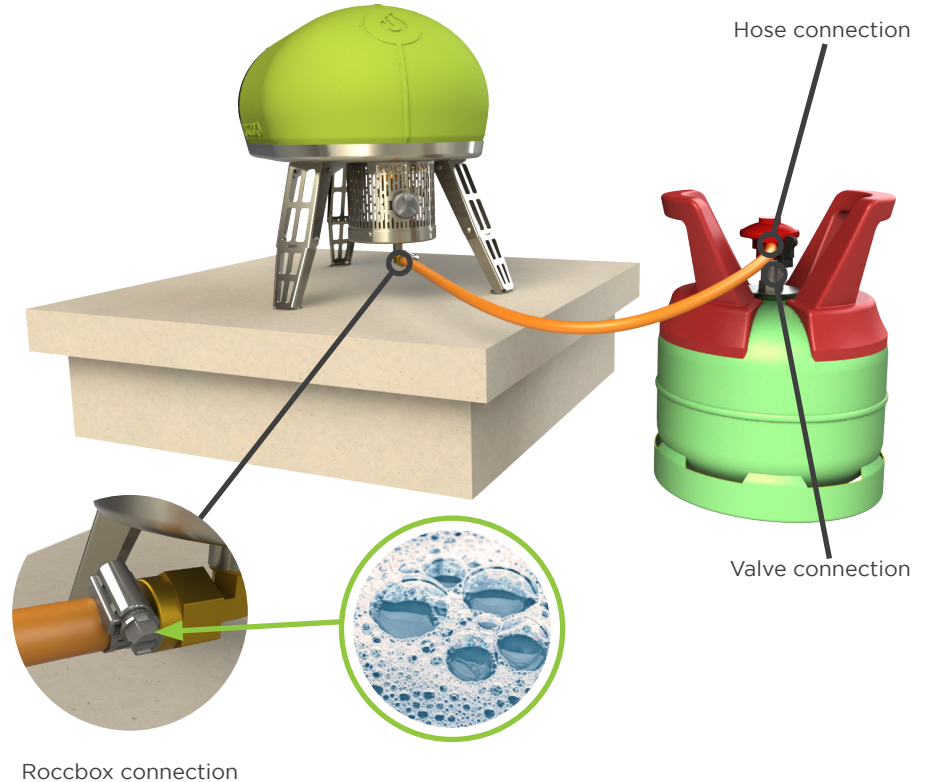
Do not use an open flame to check for gas leaks. Do not create sparks or have open flames in the area whilst changing gas supply.

The changing of gas canisters must be carried out away from any sources of ignition.

GAS LEAKS

STEP 1 To test for gas leaks, apply a mixture of soapy water to these highlighted areas.

STEP 2 Before turning the gas supply on, get a brush and some soapy water. This will be used to detect any leaks within the fittings. Spread the water and soap over the connection points as well as any areas that show cracks on the piping.

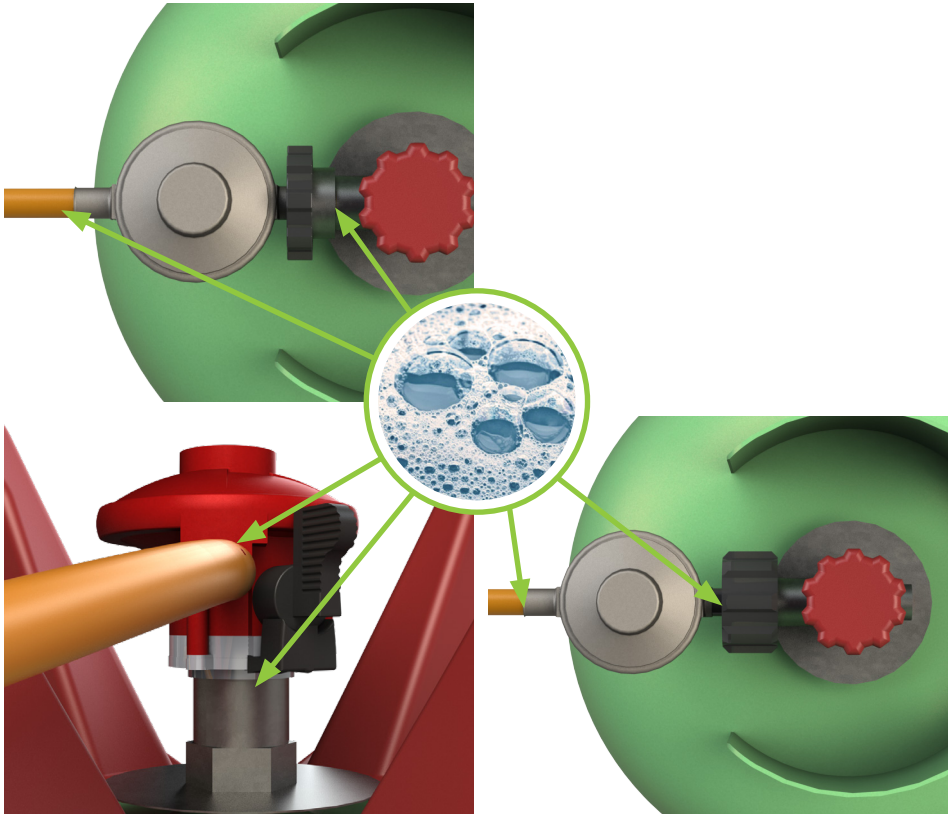


FIRING UP GAS

WARNING

If there is a leak at the Rocibox connection, re-tighten the fitting with a spanner and recheck for leaks with soap-and-water solution. If a leak persists after re-tightening the fitting, turn off the gas. **DO NOT OPERATE THE OVEN.**

If there is a leak at the Valve connection, remove LP cylinder. Do not operate barbecue. Use a different LP cylinder and recheck for leaks with soap-and-water solution.

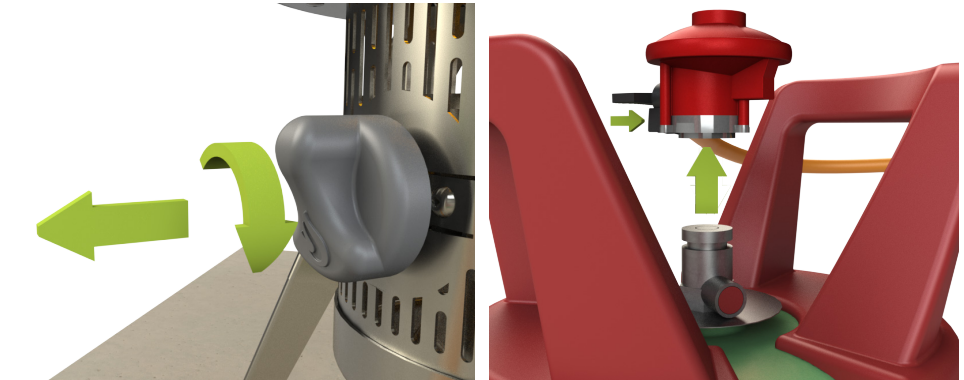


DISCONNECTING GAS

STEP 1 After cooking, be sure to turn off the gas from the gas canister before turning off Rocibox. This will allow any gas left in the burner or pipe to be used up safely.



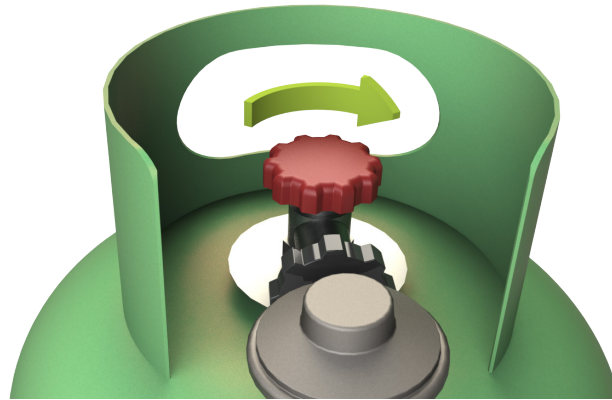
STEP 2 Wait a couple of minutes and then it will be safe to turn off your Rocibox and unplug the gas canister.



STEP 3 To detach the gas regulator from the burner simply push in the black button on the side and lift off. The regulator has to be in the off position first.

FIRING UP GAS

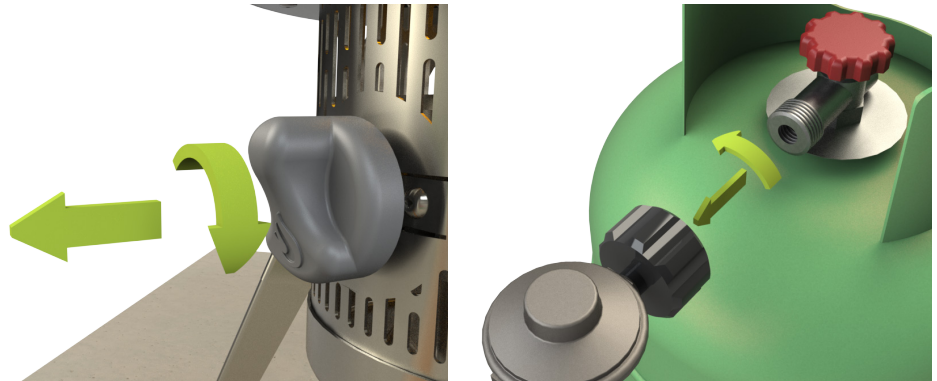
STEP 1 After cooking, be sure to turn off the gas from the gas canister by pushing down and turning clockwise until it is either tight and aligned in the off position.



STEP 2 Wait a couple of minutes and then it will be safe to turn off your Rocibox and unplug the gas canister.

Then turn the burner off by pushing in the knob and turning clockwise until it is in the vertical position.

STEP 3 Depending on your gas regulator valve, either rotate it clockwise or anticlockwise to detach it from the gas canister.

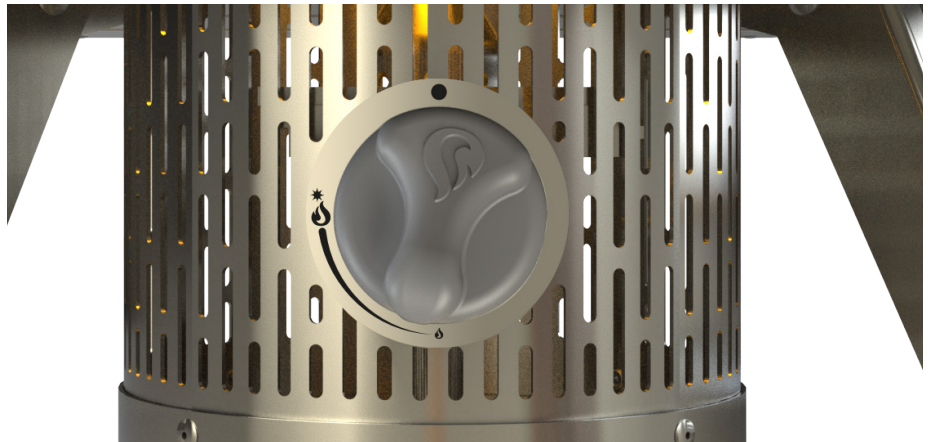
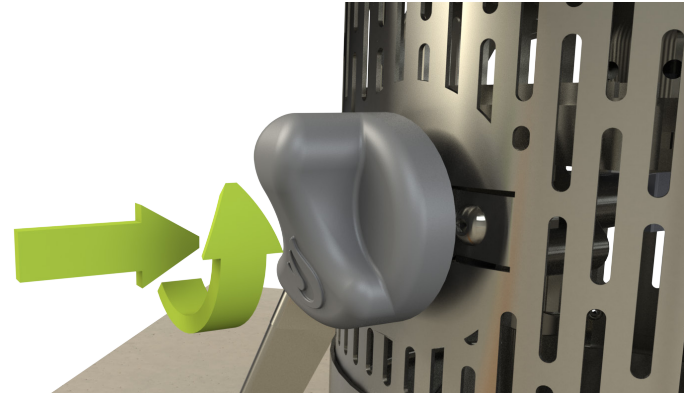


FIRST FIRING

STEP 1 If there are no issues with the gas leaking. Go ahead and turn your Rocibox on! Push the switch and turn anticlockwise.

If there are issues with the gas leaking try reattaching the hose pipe and inspect areas for bubbles.

If the burner doesn't light, wait 5 minutes before trying again. If the problem persists contact the Rocibox for further support.

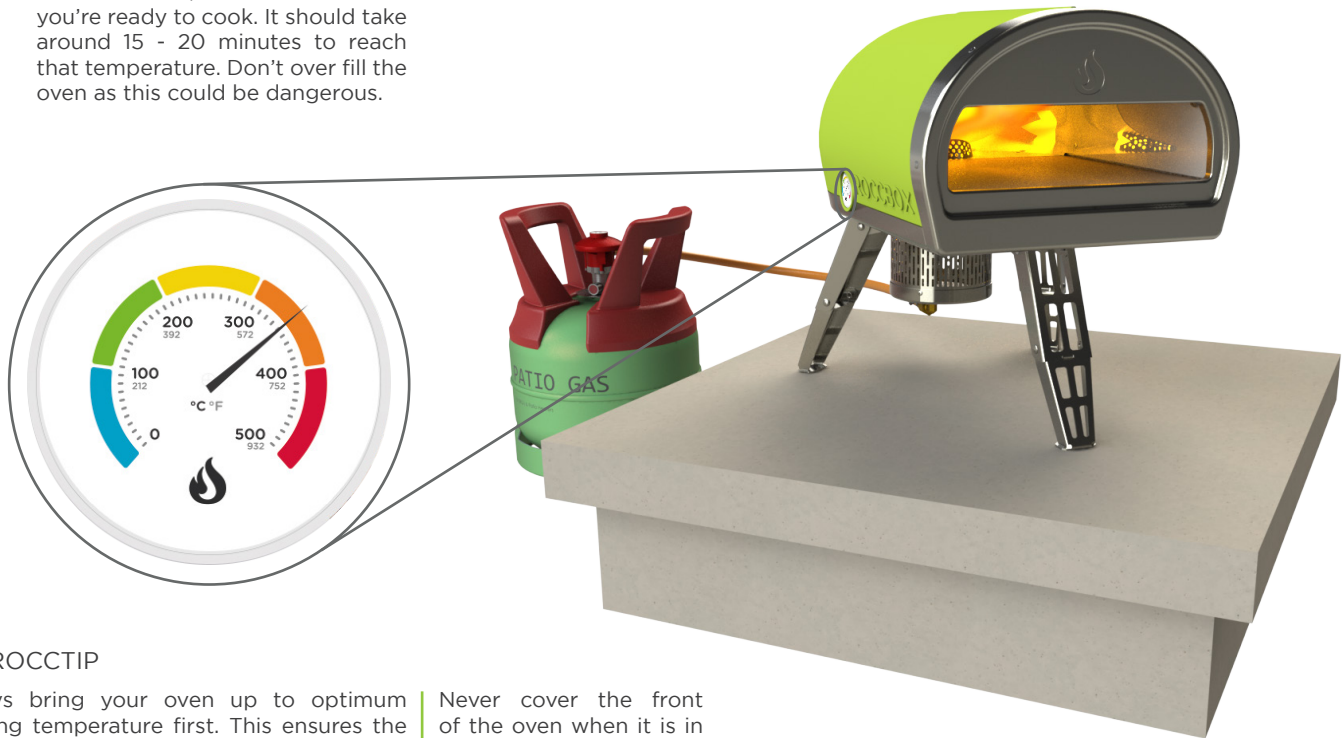


ROCC TIP

For the first firing after purchasing we highly recommend firing the oven at its lowest temperature for 30 minutes before setting it to high flame this will help cure the oven.

FIRING UP GAS

STEP 2 Check the dial, when that hits 300 you're ready to cook. It should take around 15 - 20 minutes to reach that temperature. Don't over fill the oven as this could be dangerous.



ROCCTIP

Always bring your oven up to optimum cooking temperature first. This ensures the oven is saturated with heat and will stay hotter for longer.

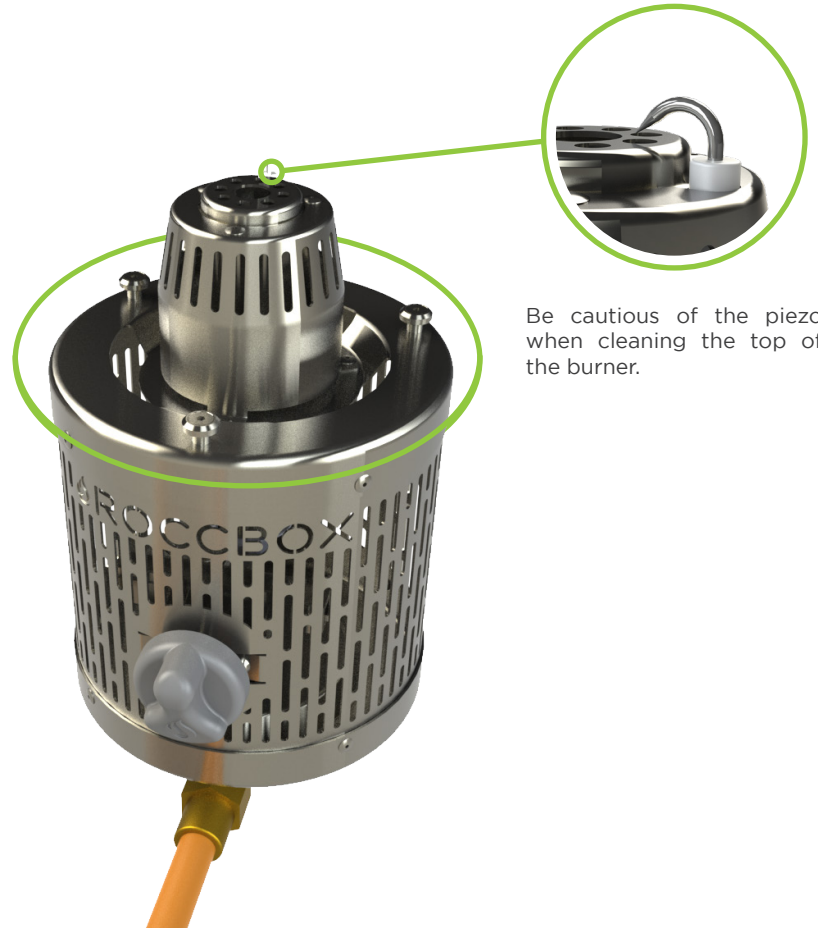
Never cover the front of the oven when it is in operation. This will cause damage to the oven.

CLEANING & MAINTENANCE

Put those Marigolds down! The Rocibox doesn't need cleaning, it gets so darn hot that it incinerates every little bit of grime during the next firing.

You will, however, need to keep the burner clean of food debris so that it can run at optimum efficiency. We recommend cleaning and inspection of the gas burner every time you go to use it. To do this simply detach the burner once it has cooled and use a brush and can of compressed air to clean it out.

For general cleaning; all you have to do is wipe down the outside with some warm soapy water. The same goes for the burner as well, just empty it of ash first.



Be cautious of the piezo when cleaning the top of the burner.