

MAINTENANCE

Use a clean, dry cloth to wipe off body and window.
For additional tips on maintaining your SureFire illumination tool, visit www.surefire.com/faqs-maintenance.

ACCESSORIES

SureFire makes a full line of accessories for most of its illumination tools. For a complete listing, visit www.surefire.com/partsaccessories.

THE SUREFIRE NO-HASSLE GUARANTEE

We'll do what it takes to keep your SureFire gear running smoothly. SureFire warrants that if you — our customer — purchase one of our products, and we determine that it is defective in material and/or workmanship during your lifetime, we will repair or replace it — no hassle!

Our warranty does not cover consumables or normal wear-and-tear — things like batteries draining, headbands and headpads wearing out, ink cartridges running out, and switches wearing out — or damage resulting from abuse, alterations, unauthorized repairs, or use contrary to SureFire's user manuals.

Should you need a replacement product, SureFire reserves the right to replace an obsolete product with a current production, like model. In the event that any issue with a SureFire product is not covered under this warranty SureFire can arrange to have the product repaired for a reasonable fee.

STANDARD DISCLAIMER

Except as specified above or prohibited by applicable law: all express or implied conditions and warranties, including, without limitation, any implied warranty or condition of merchantability or fitness for a particular purpose, or accuracy of any informational content, are hereby excluded and disclaimed by SureFire; and in no event will SureFire be liable for any special, direct, indirect, consequential, incidental or punitive damages howsoever arising and regardless of the theory of liability, even if advised of the possibility of such damages. Products, prices, availability, specifications, and offers are subject to change or cancellation at any time without notice.

WARRANTY CLAIMS

For claims, contact Customer Service at 714-545-9444 to obtain a Return Merchandise Authorization number (RMA#). Then package the unit carefully and send to (no CODs):

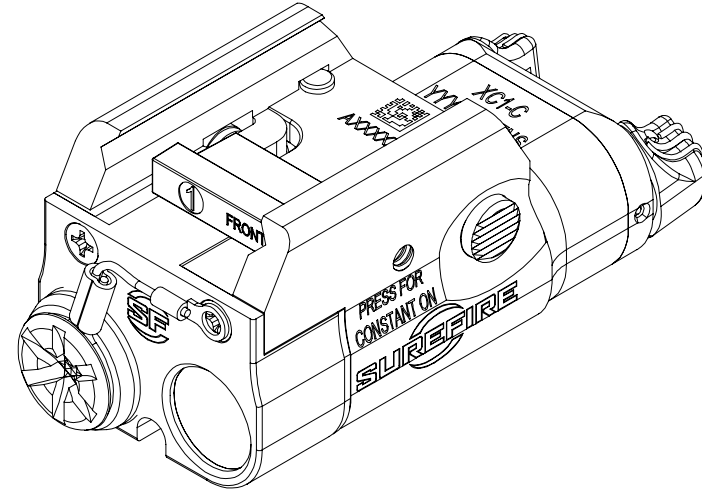
SureFire, LLC.
Repairs Department, RMA# _____
17680 Newhope Street, Suite B
Fountain Valley, CA 92708

SureFire will pay any reasonable shipping costs to return the unit to you.

XC1

COMPACT HANDGUN LIGHT

XC1-C



		XC1-C
SPECIFICATIONS	OUTPUT	300 lumens
	RUNTIME	45 minutes
	PEAK BEAM INTENSITY	1,064 candela
	DISTANCE	65 meters
	CONSTRUCTION	Aluminum
	FINISH	Hard Anodized (MIL-A-8625 Type III, Class 2)
	WEIGHT (w/battery)	2.2 ounces / 63 g
	LENGTH	2.52 inches / 6.4 cm
	BEZEL DIAMETER	0.375 inches / 0.95 cm
	BATTERY	AAA NiMH Rechargeable
SWITCHING	Ambidextrous momentary/constant	

All performance claims tested to ANSI/NEMA FL1-2019 Standard.

KIT CONTENTS:

- XC1-C WeaponLight (Crossmember #1 installed)
- AAA Battery (Rechargeable)
- Spare Crossmembers
- 3/32-inch hex wrench for Rail Adjustment Bolt

⚠ WARNING

ALWAYS confirm weapon is unloaded and on SAFE before attempting installation.

CHOOSING THE APPROPRIATE CROSSMEMBER FOR YOUR WEAPON

The XC1-C comes with five different Crossmembers (#1 comes installed) which are designed to fit a variety of weapon accessory rails. Refer to the chart below to find the appropriate Crossmember for your weapon.

PISTOL AND CROSSMEMBER COMPATIBILITY CHART:

FIREARM	CROSSMEMBER #	PART #
Beretta 90TWO	5	25248-41
Beretta APX	1	25248-1
Beretta PX4 Storm Sub-Compact	2	25248-11
Beretta 92/96 A1	3	25248-21
CZ P-07, P-10, P01, SP01, Shadow 2	3	25248-21
FN FNS-40, Five-Seven, 509 & FNX	3	25248-21
Glock Gen 3: 17, 19, 20, 21SF, 22, 23, 24, 29SF, 30SF, 31, 32, 34, 35, 36, 37, 38, Glock Gen 4: 17, 19, 20, 21, 22, 23, 29, 30, 31, 32, 34, 35, 40, 41	1	25248-1
Glock Gen 5: 17, 19, 22, 23, 34, 45	3	25248-21
Heckler & Koch VP9	3	25248-21
Kimber: 1911 Custom	3	25248-21
Ruger SR-9	1	25248-1
SIG SAUER P226, P228, P229	4	25248-31
SIG SAUER P320 Carry & Full Size	5	25248-41
SIG SAUER P320 Compact, 1911 GSR	3	25248-21
Smith and Wesson M&P, TSW (with riveted Rail), 99	2	25248-11
Springfield Armory XD	1	25248-1

XC1-C MOUNTING

1. Loosen Rail Adjustment Bolt by turning counterclockwise to adjust Rail Guide to the open position (Figure 1).
2. Align Fixed Rail with weapon's accessory rail and hinge XC1-C over the cross slot of host weapon.
3. Mate Crossmember with slot in weapon's accessory rail.
4. Using a torque wrench and a 3/32-inch bit, tighten to 8 in-lb onto a polymer pistol rail and to 8-9 in-lb on a metal pistol rail. Do NOT overtighten! The Rail Adjustment Bolt will break if excessive force is applied with a tool.

NOTE: If a torque wrench is not available, use a flat head screw driver and hand tighten with light pressure until the screw stops rotating.

CHANGING THE CROSSMEMBER (THE XC1-C MUST BE DETACHED FROM HOST WEAPON):

1. Remove XC1-C from host weapon.
2. Use the included 3/32-inch hex wrench to rotate the Rail Adjustment bolt counter-clock wise until the movable Rail Guide becomes detached and set it aside.
3. Slide the installed Crossmember off of the XC1-C body (Figure 2). Store for later use.
4. Slide the desired Crossmember into the XC1-C body ensuring the front of the Crossmember faces forward.
5. Position the movable Rail Guide on the XC1-C body and thread the Rail Adjustment Bolt into the movable Rail Guide.
6. Follow XC1-C MOUNTING instructions to attach XC1-C to host weapon.

BATTERY REPLACEMENT

Confirm that your firearm is unloaded. Do not place hands in front of muzzle when replacing and installing the battery in your XC1-C.

1. Remove the battery cap by turning any of starred slots counterclockwise with coin or flathead/slot screwdriver (Figure 3).
2. Remove spent AAA battery and replace with a fully charged AAA battery.

NOTE: The supplied battery is rechargeable. Do not discard. AAA NiMH batteries are recommended for optimum output and runtime. AAA lithium batteries can also be used but runtime will be reduced. Do not use alkaline batteries.

3. Ensure the positive battery terminal is facing toward the battery cap and then tighten the battery cap.

⚠ WARNING

Use of standard batteries can cause injury or property damage. Visit www.surefire.com/batterysafety.

⚠ BATTERY INFORMATION & WARNING

Before replacing batteries, read the enclosed BATTERY INFORMATION/WARNING insert in your original packaging. For additional battery safety, handling, and product information, visit www.surefire.com/batteries.

LIGHT OPERATION

The XC1-C is designed to allow support-hand activation in both momentary-on and constant-on modes when firing right- or left-handed.

TOGGLE SWITCHING

Momentary-on activation: Press and hold either toggle switch for more than a tenth of a second or as long as needed to momentarily activate the XC1-C. Release to turn off (Figure 4).

Constant On Activation with Slide Switch: Press from left to right for constant on activation. Press from right to left to turn light off (figure 4).

NOTE: The light will not activate when either toggle switch is pushed upward or side-to-side. This intentional design feature minimizes unintended activation when drawing or holstering.

FIGURE 1

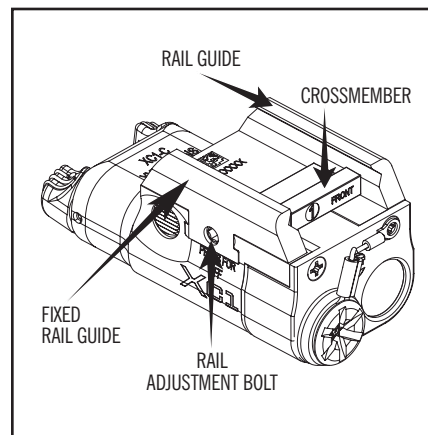


FIGURE 2

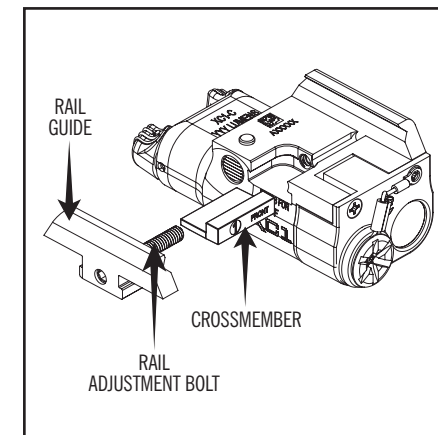


FIGURE 3

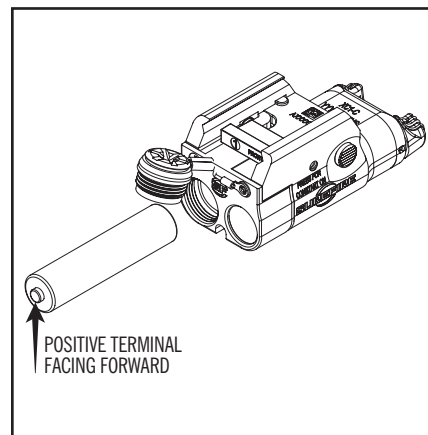


FIGURE 4

