

X300T

TURBO HIGH CANDELA HANDGUN LIGHT



650 LUMENS



66,000 CANDELA



1.5 HOURS



514 METERS



TURBO
BEAM PATTERN



1m
IPX7

DESCRIPTION



With a stunning 66,000 candela focused by a precision-engineered, smooth parabolic reflector, the X300T-A generates a far-reaching high-intensity beam with a focused center spot that is highly effective for long-range engagements and for overcoming photonic barriers. You can count on the X300T-A to help you positively identify threats at significant distances while temporarily impairing your adversary's vision. It also provides ample peripheral illumination to help you maintain situational awareness.

Activating the X300T-A is done via ambidextrous switching located at the rear of body, providing one-finger control — press the switch on either side for momentary-on activation, flip up or down for constant-on activation. Optional DG grip switches (for pistols) and a pressure activated XT07 tape switch (for long guns) permit the X300T-A to be activated without altering your grip on your weapon.

The X300T-A can be attached to a pistol or a long gun since its Rail-Lock® system permits rapid attachment to and removal from either Universal or Picatinny rails. Its high-strength aerospace aluminum body is Mil-Spec Hard Anodized for superior toughness and is O-ring and gasket sealed to make it weatherproof.

The X300T-A sets new boundaries in handgun WeaponLight performance while delivering the same quality and reliability that makes SureFire a trusted name by professionals worldwide.



FEATURES

- Precision reflector produces a peak beam intensity of 66,000 candela for long distance illumination
- Dimensionally identical to the X300U-A
- Compatible with X300U-A holsters
- Integral ambidextrous momentary- and constant-on switching provides easy instant activation
- Attaches securely to both Universal and Picatinny accessory rails
- Mil-Spec hard-anodized aluminum body and tempered window make it light rugged, durable and combat ready
- Meets IPX7 waterproof test standard at 1 meter for 30 minutes
- Accepts optional pressure-activated DG and XT remote switches for precision control without altering weapon grip

SPECIFICATIONS		X300T-A
COLOR		Black / Olive
OUTPUT		650 lumens
RUNTIME		1.5 hours
PEAK BEAM INTENSITY		66,000 candela
DISTANCE		514 meters
CONSTRUCTION		Aluminum
FINISH		Hard Anodized (MIL-A-8625 Type III, Class 2)
WEIGHT (w/batteries)		4.2 oz (119g)
LENGTH		3.76 in (9.55 cm)
BEZEL DIAMETER		1.125 in (2.9 cm)
BATTERIES		Two 123A lithium (incl.)
SWITCHING		Ambidextrous push/toggle
LIQUID INGRESS PROTECTION		IPX7

All performance claims tested to ANSI/NEMA FL1-2019 Standard.

PART# / UPC

X300T-A 084871331593
X300T-A-TN 084871331609



THE WORLD'S FINEST ILLUMINATION TOOLS, SUPPRESSORS, & TACTICAL PRODUCTS®

18300 Mt. Baldy Circle, Fountain Valley, CA 92708 | 714-545-9444 | Fax: 714-545-9537 | surefire.com

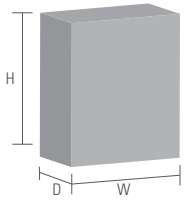
Actual product may vary from photo. Prices and specifications subject to change without notice. | Export of the product(s) shown herein must comply with the appropriate U.S. Government Jurisdiction(s) and Regulation(s).

©2022 SureFire, LLC JUL

PACKAGING SPECS

BATTERY TYPE	VOLTAGE	CAPACITY	ENERGY	WEIGHT	LITHIUM CONTENT
123A*	3 V	1,550 mAh	4.65 Wh	17 g	0.465 g

*Specifications per battery



TYPE Box - Kraft Stock

HEIGHT 7.75 in (19.6 cm)

WIDTH 4.625 in (11.7 cm)

DEPTH 1.5 in (3.8 cm)

FEATURED ACCESSORIES



DG SWITCH
(Grip switch for handguns)
Other appropriate models available



XT07 TAPE SWITCH
(Rail attach for long guns)
UPC: 084871851282

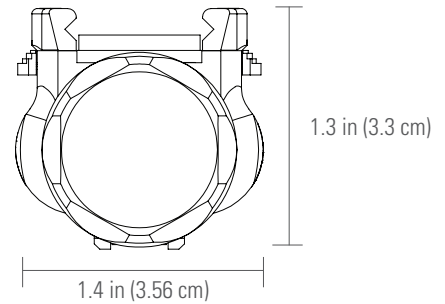
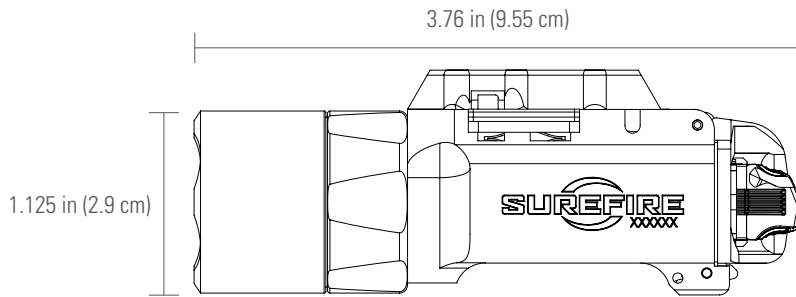


123A LITHIUM BATTERIES
Available in 2, 6, 12-packs and bulk options



SC1 SPARE BATTERY CARRIER
Other appropriate models also available

BODY SPECS



THE WORLD'S FINEST ILLUMINATION TOOLS, SUPPRESSORS, & TACTICAL PRODUCTS®

18300 Mt. Baldy Circle, Fountain Valley, CA 92708 | 714-545-9444 | Fax: 714-545-9537 | surefire.com

Actual product may vary from photo. Prices and specifications subject to change without notice. | Export of the product(s) shown herein must comply with the appropriate U.S. Government Jurisdiction(s) and Regulation(s).



MIL-STD

