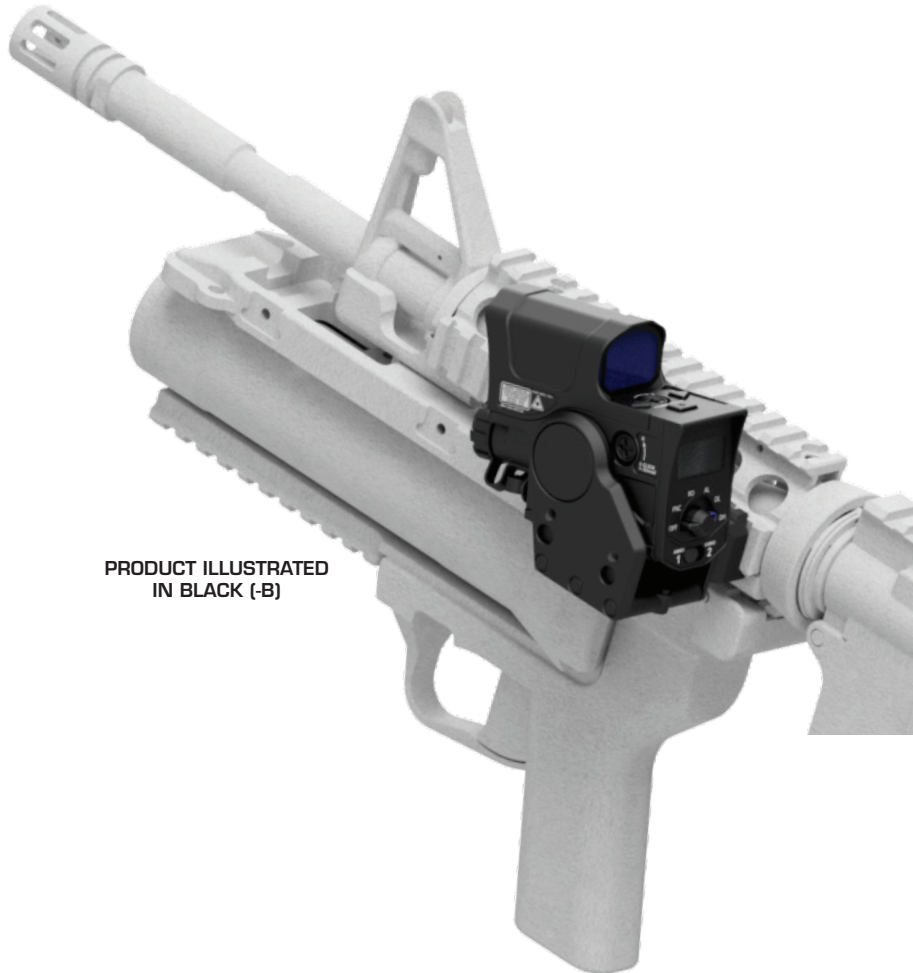


RAAM GSS™

RAPID ACQUISITION AIMING MODULE - GRENADE SIGHTING SYSTEM - HIGH POWER



PRODUCT ILLUSTRATED
IN BLACK (-B)

PRODUCT OVERVIEW

The Wilcox RAAM GSS™ is an exportable version of the US Army selected and current production Grenadier Sighting System (NSN: 1010-01-686-8798). It has proven to increase hit probability by significantly enhancing daytime and nighttime grenadier accuracy, while simultaneously decreasing target engagement time. With this unsurpassed performance, the ergonomic design incorporates many ease-of-use features. The RAAM GSS is designed for ambidextrous, left or right hand, mounting to any MIL-STD-1913 Picatinny side rail interface affixed to assault weapon (s) or a standalone man portable Grenade Launcher. It incorporates features for the quickest and easiest boresighting to the Grenade Launcher for simplicity and maintaining high accuracy, day and night.

The RAAM GSS is a lightweight fire control system (FCS) that features a built-in ballistic computer that provides a shooting solution for the target distance selected by the grenadier. The user simply selects the grenade ammunition type from the stored ballistic solutions from the RAAM GSS menu or pre-programmed 2 position switch quick ammunition selector; this tailors the point of aim and point of impact for the selected ammunition. Rotating the RAAM GSS sets the angle aiming references and corresponding target distance is displayed for the selected ammunition. The RAAM GSS features an environmentally stable optical bench with integral reflex sight (with back-up iron sight) for daytime use as well as near infrared (NIR) aiming laser and NIR illuminator for use in conjunction with night vision goggles.

Approved for Public Release by DOD



©2021 Wilcox Industries Corp. All rights reserved. The WILCOX logo and the "X" icon are Federally Registered Trademarks of Wilcox Industries Corp. The Wilcox RAAM GSS is a trademark of Wilcox Industries Corp. Specifications subject to change without notice. The Wilcox RAAM GSS is patent pending. | Export of this product is regulated by the U.S. Department of State in accordance with guidelines of ITAR per Title 22, Code of Federal Regulations, Parts 121-128. | U.S. Food and Drug Administration restricts the sale of high powered lasers to military and law enforcement agencies only.

25 PISCATAQUA DRIVE | NEWINGTON NH, 03801 | 603.431.1331 | WWW.WILCOXIND.COM

FEATURES & BENEFITS

- Unique quick and easy bore sighting to grenade launcher
- Reflex sight with integral back-up iron sights for rapid and accurate engagements
- NIR aiming laser for rapid and accurate engagements at night
- NIR illuminator provides increased recognition at night
- Aiming references to correspond to ballistic range
- User selectable ballistic solution for ammunition
- Quick selector for 2 pre-programmed ballistic solutions
- Environmental sensor reads temperature, pressure, humidity, inclination, cant and heading
- Cant Indicator for increased accuracy when firing
- Sleep mode with auto wake-up to preserve battery
- Mounts to MIL-STD-1913 rail without modification
- Battery Compartment houses one (1) AA battery
- No special tools required for installation or removal
- Easy to read LED display in meter increments
- Separate mount for use with stand alone grenade launcher

FORWARD COMPATIBILITY

- Add/store ballistic solutions for current/future ammunition
- Updatable firmware/software
- Interface capability with external devices for data transmission
- 0-45 degree firing angle for compatibility with current/future ammunition

SPECIFICATIONS - HIGH POWER

Weight: Less than 11 ounces (311g)
 Size: Less than 16 cubic inches (263cm)
 Water Resistance: 1 meter for up to 30 minutes

Laser Type/Wavelength/Power*: Red Visible Laser/640nm/<0.7mW
 Laser Type/Wavelength/Power*: Infrared Laser/840nm/30mW
 Laser Type/Wavelength/Power*: Infrared Illuminator/840nm/30mW

* Nominal Output Power is subject to +/-10% tolerance.
 For Laser Safety use Nominal Output Power + 20%.



*WARNING - VISIBLE AND INVISIBLE LASER RADIATION
 AVOID EXPOSURE TO BEAM
 CLASS 3B LASER PRODUCT

Available Colors: ■-B

PRODUCT DESCRIPTION	PART NUMBER
RAAM GSS	67800G01

