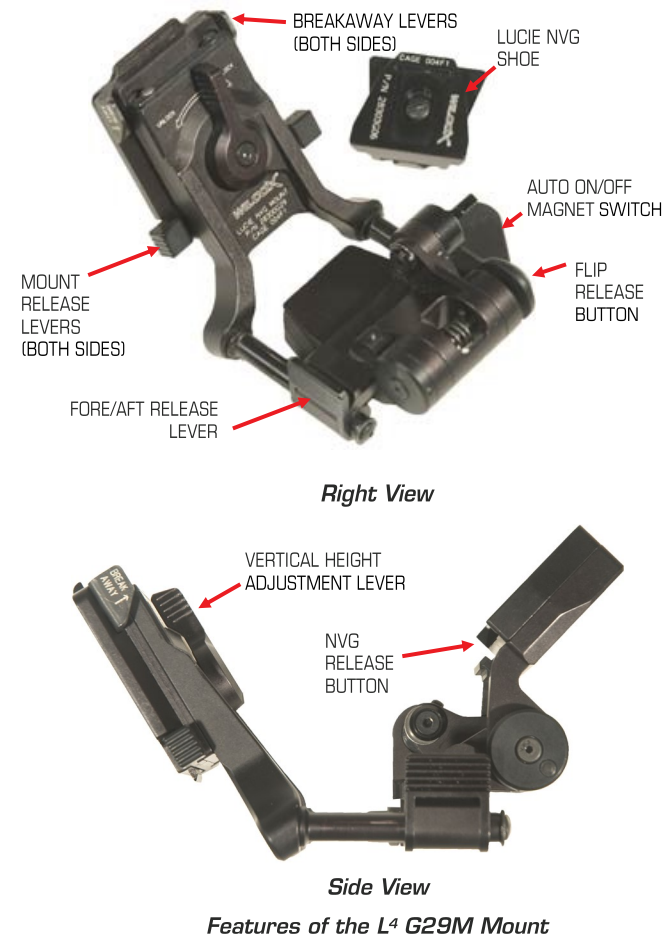


PRODUCT IDENTIFICATION



CARE AND MAINTENANCE

Clean the Mount by flushing away dirt with fresh water and/or wiping down the assemblies with a clean, damp cloth. If used in a salt water environment, flushing with fresh water and drying after use is recommended. If used extensively in a salt water environment, light lubricate stainless steel parts as needed.

Vertical and horizontal adjustment mechanisms that are not kept free from debris may bind and the assembly may not lock the mount in the up or down positions. Lubricate lightly as needed.

STANDARD LIMITED WARRANTY

For full warranty terms, contact Wilcox Customer Service at 603-431-1331.

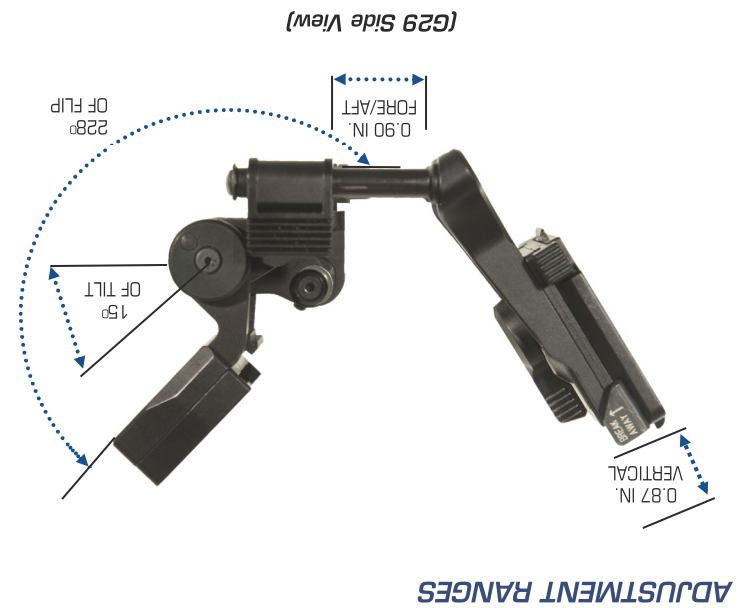
WARRANTY CLAIM AND SERVICE INFORMATION

Wilcox must be contacted in the United States at (603) 431-1331 to assign a **Return Merchandise Authorization (RMA) / Service Call Number (SC)** prior to return shipment.

After an RMA/SC number is provided, Wilcox will accept a package at the address below, clearly marked with the number assigned as follows:

Wilcox Industries Corp.
RMA # _____
25 Piscataqua Drive
Newington, NH 03801

The product must be securely packaged, accompanied by purchasing information, a letter including sender's name, address, daytime phone number, date of manufacture, lot number and a description of the problem or work to be performed.



When performing operations that could cause entanglement, ensure that the break away feature is not obstructed in any way.

WARNING

GENERAL SAFETY WARNINGS

OPERATION AND MAINTENANCE
 INSTRUCTIONS FOR THE



**L4 G29M Mount with Breakaway Base and
 Dovetail Interface Shoe**

CAGE: 004F1

Mount Up!



28300G29M
 (Mount Only)



26000G02
 L4 Series NVG
 Head Mount
 & Lanyard Only

"Our Customer's Life Depends on It"™

Manufactured by:
WILCOX®

Wilcox Industries, Corp.
 25 Piscataqua Drive
 Newington, NH 03801-7816

Phone: +1 888-8WILCOX
 +1 603-431-1331
 Fax: +1 603-431-1221



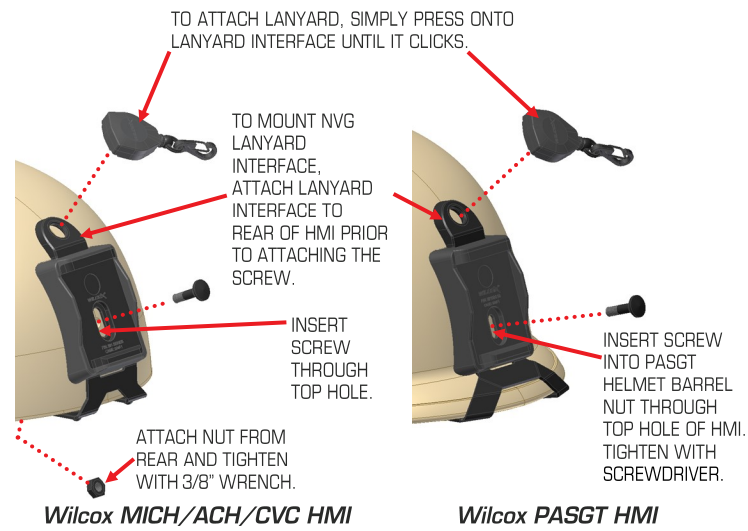
WWW.WILCOXIND.COM

For troubleshooting service questions,
 contact Wilcox between 8am and 5pm EST.

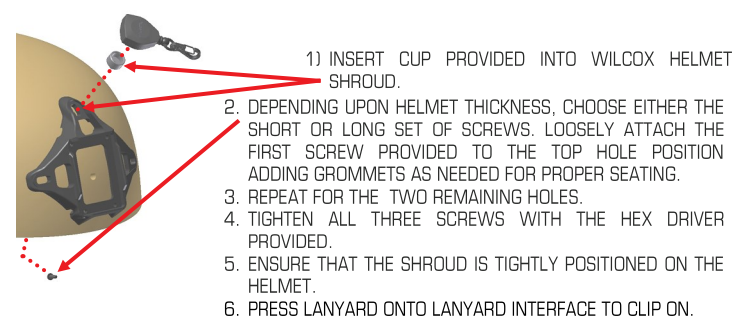
© 2009-2022 Wilcox Industries Corp. All rights reserved. Printed in USA. Wilcox's line of L4 NVG Mounting Systems is Patent Pending. Wilcox®, "Mount Up!" and the Wilcox "X" Logo are federally registered trademarks of Wilcox Industries Corp. "Our Customer's Life Depends on It" is a trademark of Wilcox Industries Corp. All other trademarks and registered trademarks in this manual are the property of their respective companies. Specifications and other data are subject to change without notice. **EAR99: Export license not required.**

INSTALLATION

To Attach the (Optional) Helmet Mount Interface (HMI) to the Helmet



To Attach the (Optional) Wilcox Three-Hole HMI to the Helmet



To Attach the (Optional) Ratchet Strap to the Helmet:

(MICH/ACH/CVC DEPICTED)



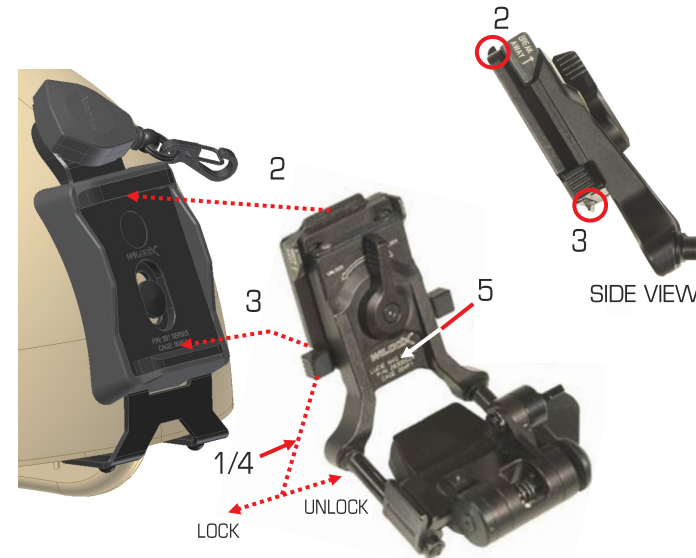
To Detach the (Optional) Ratchet Strap from the Helmet:

(MICH/ACH/CVC DEPICTED)



To Attach the NVG Mount: (HMI DEPICTED)

1. SLIDE THE MOUNT RELEASE LEVER TO THE RIGHT USING THE RIGHT THUMB TO UNLOCK THE MOUNT RELEASE.
2. INSERT THE TOP MOUNTING GUIDE.
3. ROTATE THE MOUNT DOWNWARD UNTIL IT SEATS.
4. SLIDE THE MOUNT RELEASE LEVER TO THE LEFT USING THE RIGHT FOREFINGER TO SECURE.
5. PRESS THE MOUNT FIRMLY AT THE BASE TO SEAT, ALLOWING THE MOUNT TO ACHIEVE ITS POSITION.

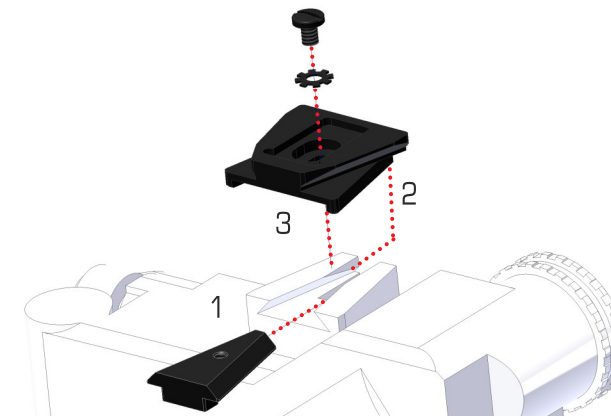


To Detach the NVG Mount:

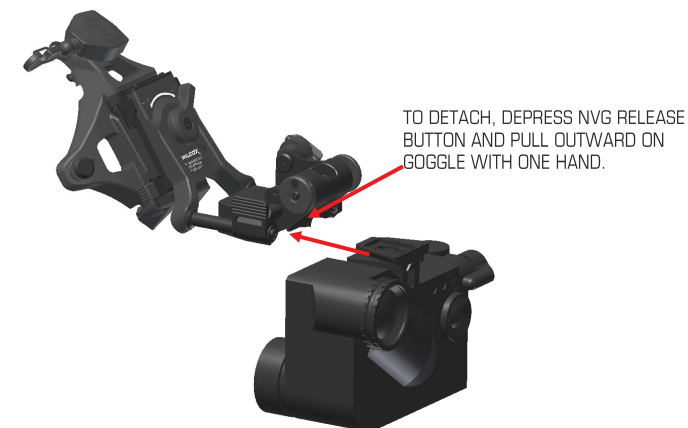
1. SLIDE THE MOUNT RELEASE LEVER TO THE LEFT USING THE RIGHT FOREFINGER TO UNLOCK THE MOUNT RELEASE.
2. REMOVE THE MOUNT.

To Attach the Wilcox NVG Shoe to the LUCIE Goggle:

1. INSERT THE SMALLER DOVETAIL BLANK INTO THE INTERFACE OF THE NVG INTERFACE ON THE GOGGLE, FLAT SIDE FACING UPWARD.
2. ATTACH THE BOTTOM OF THE NVG INTERFACE SHOE TO THE TOP OF THE LUCIE INTERFACE WITH THE SMALLER PORTION OF THE DOVETAIL FACING UPWARD AND TOWARD THE GOGGLE AND SQUEEZE FIRMLY.
3. HOLD BOTH COMPONENTS CENTERED ON THE SHOE. AND INSERT THE SCREW AND LOCK WASHER, THEN THREAD HAND TIGHT WITH A SCREWDRIVER.



To Attach a NVG to the Wilcox NVG Mount:



To Engage the Automatic On-Off Function of the LUCIE Goggle:

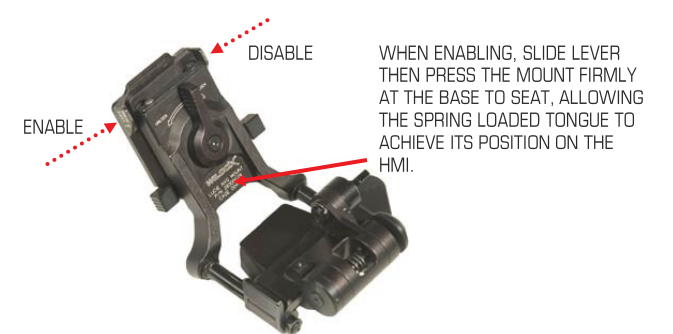


OPERATION

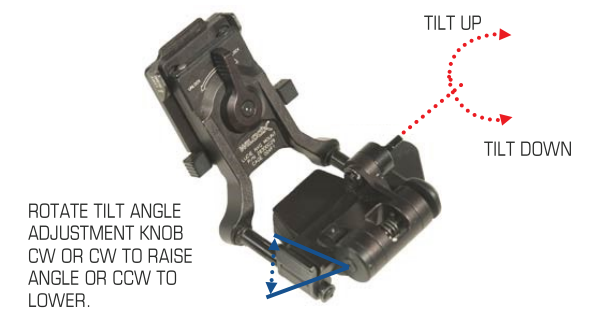
To Adjust the Vertical Height of the Mount:



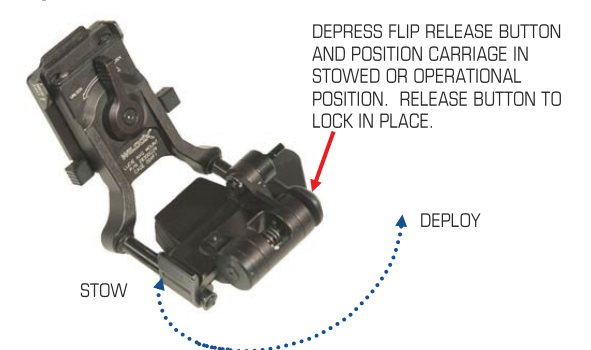
To Enable or Disable the Breakaway Feature:



To Adjust the Tilt Angle of the Mount:



To Adjust the Flip of the Mount:



To Adjust the Fore/Aft Position of the NVG:

