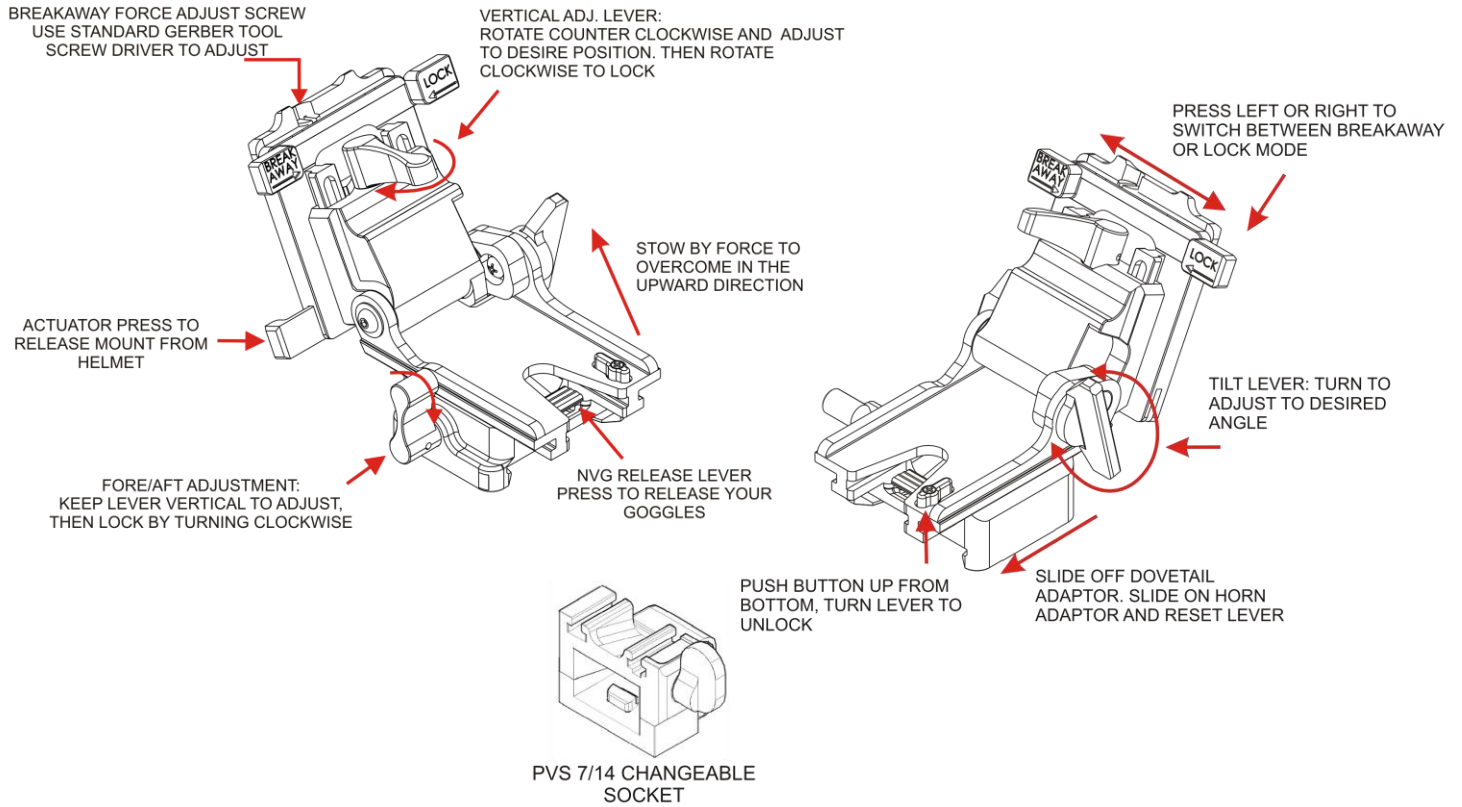


Technical Data Sheet

Lo-Sto Helmet Mount Force to Overcome Norotos# 1962010



FEATURES

- Rugged, Compact and Light Weight
- Adjustable Breakaway or Lock Control
- Low Profile on the Helmet
- Anti-Wobble Quick Change Adapters
- Infinite Range Adjustments

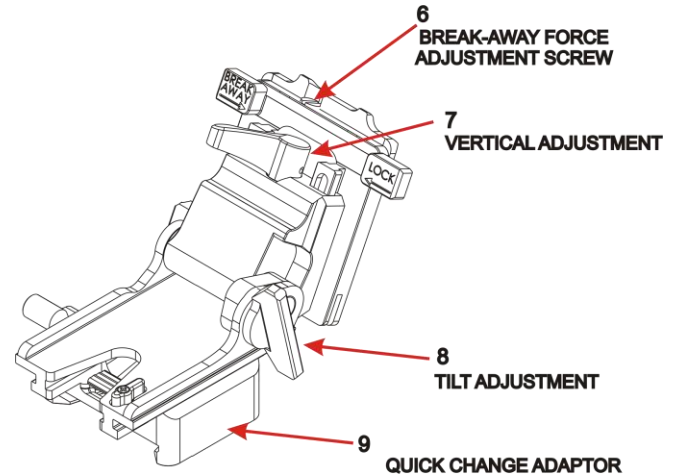
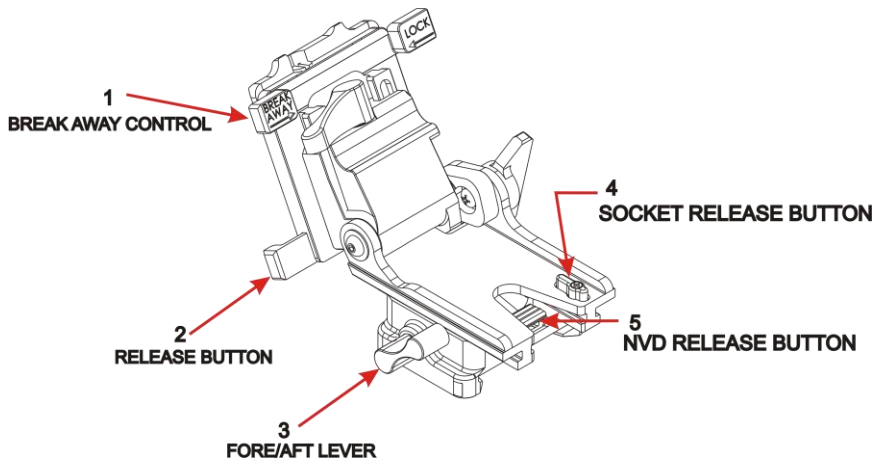
PART NUMBERS

1962010BLK-2	Dovetail PVS-15/18/21/31 - Black
1962010BLK-3	Horn PVS-7/14 - Black
1962010BLK-4	Dovetail PVS-15/18/21/31 & Horn PVS-7/14 - Black
1962010CB-2	Dovetail PVS-15/18/21/31 Coyote Brown
1962010CB-3	Horn PVS-7/14 - Coyote Brown
1962010CB-4	Dovetail PVS-15/18/21/31 & Horn PVS-7/14 - Coyote

PROPRIETARY NOTICE: This document is the trade secret/confidential property of NOROTOS, INC. and is conveyed with the express condition that the proprietary information and data contained in it are not to be used, disclosed, or reproduced in whole or in part for any purpose with out the express written consent of NOROTOS, INC. No right is granted by NOROTOS, INC. to disclose it to others or to use any information contained in said data to replicate or manufacture our products, other than by our express written direction.

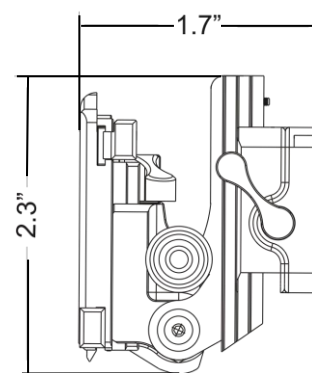
Technical Data Sheet

Lo-Sto Helmet Mount Force to Overcome Norotos# 1962010



PRODUCT SPECIFICATIONS

1. Break Away Button; allows user to set the desired mode for mount (Breakaway or locked). Mode depends on user operational needs.
2. Release Button: Allows one handed release from Helmet Bracket or Shroud.
3. Fore/Aft Lever; allows for fore/aft travel of the goggle. Releasing the lever allows the operator to set the fore/aft position of the NVG.
4. Socket release button for "quick change" from dovetail to socket or custom.
5. Release button: press to remove your NVG device from interface.
6. Adjust-rite screw: Set the desired Breakaway force to user's preference.
7. Vertical Adjustment Lever; allows NVG vertical height to be easily adjusted, and securely locked.
8. Tilt Adjustment: Use to adjust the tilt of your NVG.
9. Interchangeable Socket: Dovetail style PVS 15/18/21 (showed) or Horn Style PVS 7/14.
10. 2. Two options of the Lo-Sto Helmet Mount are offered:
 - A. Push button P/N: 1960010
 - B. Force to Overcome (as show) P/N: 1962010



STOW POSITION

SPECIFICATIONS

Dimensions (Stow):	2.3" L x 1.7" W x 2.4" H
Weight:	140 g
Material Construction:	Light Weight Aluminum, stainless steel and high strength nylon
Vertical Height Adjustment:	1.1" Total Travel
Fore/Aft Travel:	1.1" Total Travel
Tilt Range of 21°:	Upward: 16° , Downward: 5°
Breakaway Force:	5 - 35 lbs

PROPRIETARY NOTICE: This document is the trade secret/confidential property of NOROTOS, INC. and is conveyed with the express condition that the proprietary information and data contained in it are not to be used, disclosed, or reproduced in whole or in part for any purpose with out the express written consent of NOROTOS, INC. No right is granted by NOROTOS, INC. to disclose it to others or to use any information contained in said data to replicate or manufacture our products, other than by our express written direction.