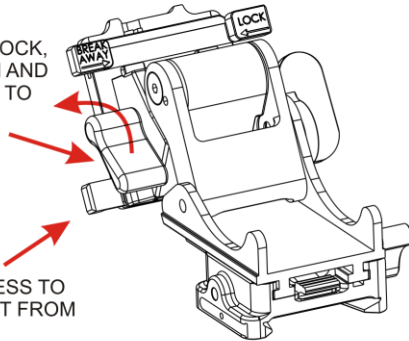




**Technical Data Sheet
RHINO II D Helmet Mount Norotos # 1950010**

VERTICAL ADJ. LEVER:
ROTATE HORIZONTAL TO UNLOCK,
ADJUST TO DESIRE POSITION AND
TURN IN EITHER DIRECTIONS TO
LOCK

ACTUATOR PRESS TO
RELEASE MOUNT FROM
HELMET



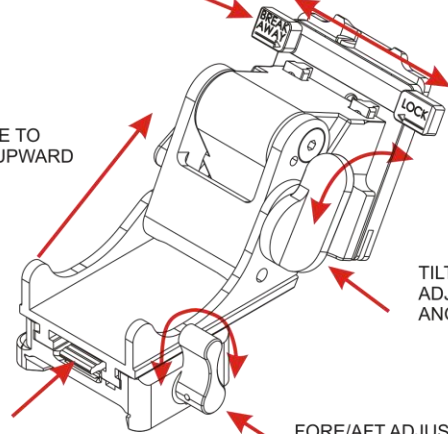
PRESS LEFT OR RIGHT TO
SWITCH BETWEEN BREAKAWAY
OR LOCK MODE

STOW BY FORCE TO
OVERCOME IN UPWARD
DIRECTION

TILT LEVER: TURN TO
ADJUST TO DESIRED
ANGLE

NVD RELEASE LEVER:
PRESS TO RELEASE
GOGGLES

FORE/AFT ADJUSTMENT:
KEEP LEVER VERTICAL TO
ADJUST THEN LOCK BY TURN
IN EITHER DIRECTION



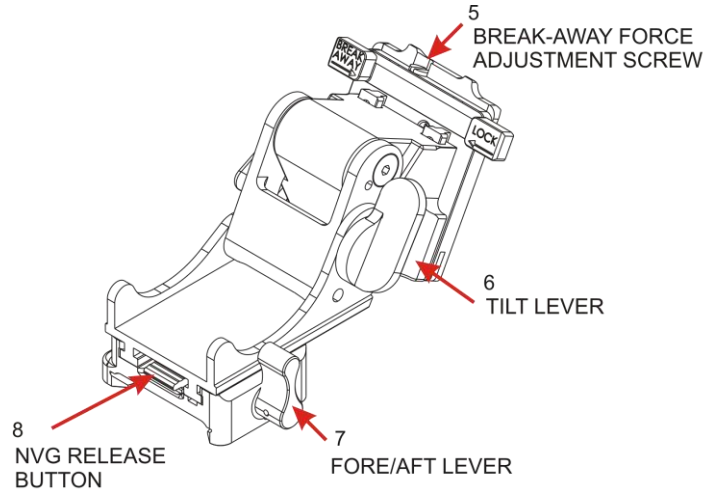
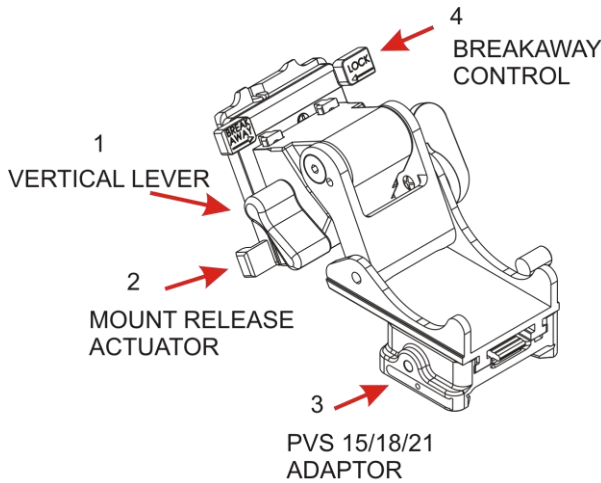
FEATURES

- Ergonomically Optimized Vertical, Tilt, and Fore/Aft-Eye-Relief Adjustment Levers
- Helmet Mount Release Button
- Force-to-Overcome Deploy/Stow Release
- Dovetail Style NVG Compatible for PVS-7A/C, PVS-15, PVS-18, PVS-21, & PVS-31, others NVG
- Glide-Rite Infinitely Adjustable Ranges for Vertical, Horizontal and Tilt control
- Reduced Weight & Enhanced NVG Center of Gravity prevents user fatigue allowing long-term ergonomic wear-ability
- Auto Shut-Off when NVG in stow position or removed from mount
- Durable Helmet Mount Surface Finishes withstand extreme environmental and field conditions
- Safe & Easy Operational Tactile Differentials on operating levers, knobs, and buttons

PROPRIETARY NOTICE: This document is the trade secret/confidential property of NOROTOS, INC. and is conveyed with the express condition that the proprietary information and data contained in it are not to be used, disclosed, or reproduced in whole or in part for any purpose with out the express written consent of NOROTOS, INC. No right is granted by NOROTOS, INC. to disclose it to others or to use any information contained in said data to replicate or manufacture our products, other than by our express written direction.



Technical Data Sheet RHINO II D Helmet Mount Norotos # 1950010



PRODUCT SPECIFICATIONS

1. Vertical Adjustment Lever; allows NVG vertical height to be easily adjusted, and then locked securely.
2. Release Button: Allows one handed release from Helmet Bracket or Shroud.
3. Universal Mount Adaptor will accommodate the Dovetail style PVS 15, 18 & 21 Night Vision Goggles.
4. Break Away Button; allows user to set the desired mode for mount (Breakaway or locked). Mode depends on user operational needs.
5. Adjust-rite screw; Set the desired Break away force to user's preferences.
6. Tilt Adjustment Lever; allows the operator to fine adjust the tilt angle of the NVG.
7. Fore/Aft Lever; allows for fore/aft travel of the goggle. Releasing the lever allows the operator to set the fore/aft position of the NVG.
8. Release Lock Lever; allows the operator release the NVG from the mount.

SPECIFICATIONS

Dimensions (Operational):	3.00" L x 2.45" W x 2.50" H
Weight:	170g (6.0 oz)
Material Construction:	Light Weight Aluminum, stainless steel and high strength nylon
Accommodates:	Dovetail Style NVGs
Vertical Travel	1.20" Total
Fore/Aft Travel	1.40" Total
Tilt Range of 21°	Upward: 16°, Downward: 5°
Breakaway Force	5 – 35 lbs

PROPRIETARY NOTICE: This document is the trade secret/confidential property of NOROTOS, INC. and is conveyed with the express condition that the proprietary information and data contained in it are not to be used, disclosed, or reproduced in whole or in part for any purpose without the express written consent of NOROTOS, INC. No right is granted by NOROTOS, INC. to disclose it to others or to use any information contained in said data to replicate or manufacture our products, other than by our express written direction.